

## SOLID-STATE TIMERS H3CA MULTI-FUNCTION DIGITAL-SET TIMER WITH 0.1 SECOND TO 9,990 HOUR TIME RANGE

### FEATURES:

- Eight field-selectable operation modes
- Universal AC/DC supply voltage timers available
- Operations include ON-delay, repeat cycle, signal interval/OFF-delay, signal-OFF delay, interval, cycle and signal ON-delay/Off-delay
- Selectable dry contact start, reset, gate and check inputs expand capabilities
- Time remaining LCD bar graph and LCD output status indicator

### MULTI-FUNCTION, DIGITAL-SET TIMERS

Cat. No.	Operating Voltage	Time Range	Contact Type	Net Price
<b>H3CA-8H-AC100-110-120</b>	100, 110, 120 VAC	0.1S to 9990 HR	3A-SPDT	<b>\$133.00</b>
<b>H3CA-8H-AC24</b>	AC24	0.1S to 9990 HR	3A-SPDT	<b>133.00</b>
<b>H3CA-8H-DC24</b>	DC24	0.1S to 9990 HR	3A-SPDT	<b>133.00</b>
<b>H3CA-8-AC100-110-120</b>	100, 110, 120 VAC	0.1S to 9990HR	3A-DPDT	<b>133.00</b>
<b>H3CA-8-AC24</b>	AC24	0.1S to 9990HR	3A-DPDT	<b>133.00</b>
<b>H3CA-8-DC24</b>	DC24	0.1S to 9990HR	3A-DPDT	<b>133.00</b>
<b>H3CA-A</b>	24 to 240 VAC 12 to 240 VDC	0.1S to 9990 HR	3A-DPDT	<b>158.00</b>

### TIMER ACCESSORIES

Cat. No.	Description	Net Price
----------	-------------	-----------

### PANEL MOUNTING ADAPTERS

<b>Y92F-30</b>	Fits behind panel, ideal for side by side installation. Use P3G sockets	<b>\$8.30</b>
<b>Y92F-70</b>	Installs through panel front; timer face fits bezel, rear of timer clips to adapter. Use P3G sockets. Fits 65-66 mm (2.56-2.59 in) x 52-53 mm (2.04-2.09 in) panel cutout. Charcoal gray face plate measures 88H x 58 W mm (3.46 x 2.28 in).	<b>9.90</b>
<b>Y92F-71</b>	Installs through panel front; timer face fits bezel, rear of timer clips to adapter. Use P3G sockets. Fits 55 x 45 mm (2.17 x 1.77 in) panel cutout. Charcoal gray face plate measures 58 H x 50 W mm (2.28 x 1.97 in). For use with H38 timers only.	<b>8.30</b>

### TIME SETTING RING

<b>Y92A-Y1</b>	Use one or two lock-in settings	<b>2.90</b>
----------------	---------------------------------	-------------

### PROTECTIVE COVER

<b>PFP-50N</b>	DIN Rail, 50cm (1.64 ft) length	<b>9.30</b>
<b>PFP-100N</b>	DIN Rail, 1m (3.28 ft) length	<b>15.60</b>
<b>PFP-M</b>	End Plate	<b>2.00</b>
<b>PFP-S</b>	Spacer	<b>.84</b>

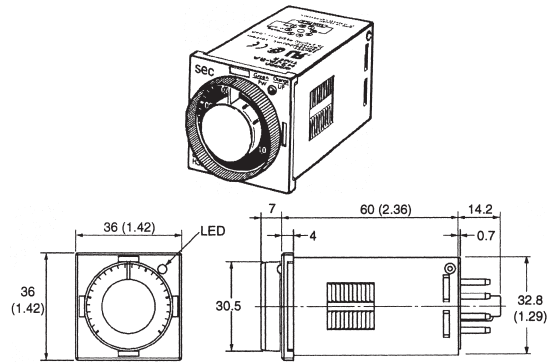
Cat. No.	Description	Net Price
----------	-------------	-----------

### 8-PIN SOCKETS FOR H3BA-8, H3BA-8H, H3BBF-8, H3BH-8, H3BH-8R, 83CA-8, H3CA-8H TIMERS

<b>P2CF-08</b>	Bottom surface or track mounting, top screw terminals	<b>\$9.80</b>
<b>P3G-08</b>	Back mounting, for use with Y92F-30 mounting adapter, bottom screw terminals	<b>14.90</b>

### 11-PIN SOCKETS FOR H3BA AND H3CA-A TIMERS

<b>P2CF-11</b>	Bottom surface or track mounting, top screw terminals	<b>11.70</b>
<b>P3GA-11</b>	Back mounting, for use with Y92F-30 mounting adapter, bottom screw terminals.	<b>17.10</b>



## H3JA SOLID STATE TIMER

### FEATURES:

- Replacement timer for the H3G series
- Economical, compact, plug-in timer
- Time limit, ON-delay, operation with automatic resetting
- DIN size (36mm x 36mm), fits standard 8-pin sockets
- Wide choice of supply voltages: 24, 100 to 120, 200 to 240VAC, 12 24, VDC
- Dual LED indication for power and output status
- Large transparent setting knob

Cat. No.	Rated Time*	Time-Limit Contact	Operation Resetting System	Net Price
<b>SURFACE, FLUSH, AND DIN TRACK MOUNTING</b>				
<b>H3JA-8A AC100-120</b>	1s, 3s, 5s, 10s, 30s, 60s, 5 min, 10 min, 30 min, 60 min, 3 hrs	SPDT	Time-limit operation/self-resetting	<b>\$38.60</b>
<b>H3JA-8A AC200-240</b>	1s, 3s, 5s, 10s, 30s, 60s, 5 min, 10 min, 30 min, 60 min, 3 hrs	SPDT	Time-limit operation/self-resetting	<b>38.60</b>
<b>H3JA-8A AC24</b>	1s, 3s, 5s, 10s, 30s, 60s, 5 min, 10 min, 30 min, 60 min, 3 hrs	SPDT	Time-limit operation/self-resetting	<b>38.60</b>
<b>H3JA-8A DC12</b>	1s, 3s, 5s, 10s, 30s, 60s, 5 min, 10 min, 30 min, 60 min, 3 hrs	SPDT	Time-limit operation/self-resetting	<b>38.60</b>
<b>H3JA-8A DC24</b>	1s, 3s, 5s, 10s, 30s, 60s, 5 min, 10 min, 30 min, 60 min, 3 hrs	SPDT	Time-limit operation/self-resetting	<b>38.60</b>
<b>H3JA-8C AC100-120</b>	1s, 3s, 5s, 10s, 30s, 60s, 5 min, 10 min, 30 min, 60 min, 3 hrs	DPDT	Time-limit operation/self-resetting	<b>42.60</b>
<b>H3JA-8C AC200-240</b>	1s, 3s, 5s, 10s, 30s, 60s, 5 min, 10 min, 30 min, 60 min, 3 hrs	DPDT	Time-limit operation/self-resetting	<b>42.60</b>
<b>H3JA-8C AC24</b>	1s, 3s, 5s, 10s, 30s, 60s, 5 min, 10 min, 30 min, 60 min, 3 hrs	DPDT	Time-limit operation/self-resetting	<b>42.60</b>
<b>H3JA-8C DC24</b>	1s, 3s, 5s, 10s, 30s, 60s, 5 min, 10 min, 30 min, 60 min, 3 hrs	DPDT	Time-limit operation/self-resetting	<b>42.60</b>

\*Add rated time to the end of the Cat. No., ex = **H3JA-8A AC100-12030S**.

### RECOMMENDED EQUIVALENTS

From H3BA	To	H3CR
H3BA-	USE	H3CR-A-
H3BA-8-	USE	H3CR-A8
H3BA-8H-	USE	H3CR-A8EL

### RECOMMENDED EQUIVALENTS

From H3BF	To	H3CR
H3BF-8-	USE	H3CR-F8

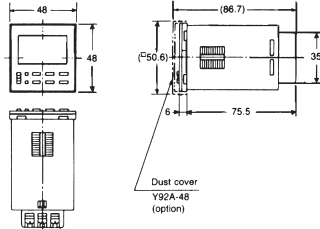
### RECOMMENDED EQUIVALENTS

From H3BH	To	H3CR
H3BH-8-	USE	H3CR-H8L
H3BH-8R-	USE	H3CR-H8RL

## ACCESSORIES

### CONNECTING SOCKET FOR H3RN TIMERS

Cat. No.	Use With Solid State Timer	Net Price
<b>TRACK MOUNTING/FRONT CONNECTING SOCKET</b>		
P2RF-05-E	H3RN-1/-11	\$6.10
P2RF-08-E	H3RN-2/-21	10.50



DIMENSION  
(ALL UNITS IN MM)  
H5F-B  
(FLUSH MOUNTING TYPE)

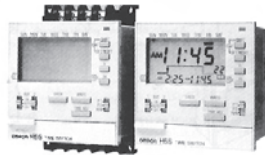
### H5F DAILY TIMER FOR PRECISE TIMER CONTROL

#### FEATURES:

- Precise control of both regular and special (e.g., half-day operation) ON/OFF times.
- Can be set for timed or pulsed operation and for multiple-day operation
- Two mounting types available: flush or track mounting.
- Timing chart displayed for at-a-glance confirmation.
- DIN-sized 48 x 48 mm.
- Pulse duration from 1 s to 59 m.

### DIGITAL DAILY TIME CLOCK

Cat. No.	Timing Function	Contact Type	Supply Voltage	Net Price
H5F-B	On/Off Daily Operation	15A-SPST-NO	100 to 240 VAC	\$185.00
H5F-KB	On/Off Daily Operation	15A-SPST-NO	100 to 240 VAC	185.00



### H5S TIMER PROVIDES PROMPTED PROGRAMMING, FLEXIBILITY IN PROGRAMS WITHIN THE WEEK

#### FEATURES:

- AM/PM display
- 24 program steps with quartz accuracy.
- A different program possible each day. Backup battery protects memory for 5 years.
- Field-adjustable ON/OFF cycle and pulse output.
- Easy to use prompted programming
- Pulse duration from 1 s to 59 m
- Protective cover and other accessories may be ordered separately

### DIGITAL WEEKLY TIME CLOCKS

Cat. No.	Timing Function	Contact Type	Supply Voltage	Net Price
H5S-B	On/Off, Cycle	15A-SPST-N.O.X2	100 to 240 VAC	\$287.00
H5S-FB	Operations up to one week	15A-SPST-N.O.X2	100 to 240 VAC	287.00

### ACCESSORIES

Cat. No.	Description	Net Price
Y92A-72C	Hard Plastic Cover	\$9.90
Y92F-90	Track Mounting Adapter for H5S-FB	9.90
PFP-50N	Mounting Track 50 cm (1.64 ft) length	9.30
PFP-100N	1 m (3.28 ft) length	15.60
PFP-M	End plate	2.00



### H5CN 1/16 DIN, QUARTZ TIMER WITH FOUR-DIGIT LED DISPLAY

#### FEATURES:

- Five wide ranges to choose from
- Wide-range AC or DC supply voltages
- Elapsed time (UP) or time remaining (DOWN) display available
- Selectable no-voltage reset and gate inputs expand capabilities
- Memory protection circuit available on AC models; order back-up battery separately from accessories
- Easy-to-read 8 mm-high LED display
- Panel mounting adapter, sockets, and accessories may be ordered separately

Cat. No.	Timing Function	Display Type	Net Price
H5CN-XAN-AC100/240	ON-Delay	Elapsed time (up)	\$231.00
H5CN-XBN-AC100/240	ON-Delay	Elapsed time (up)	231.00
H5CN-XCN-AC100/240	ON-Delay	Elapsed time (up)	231.00
H5CN-YAN-AC100/240	ON-Delay	Time Remaining (down)	231.00
H5CN-YBN-AC100/240	ON-Delay	Time Remaining (down)	231.00
H5CN-YCN-AC100/240	ON-Delay	Time Remaining (down)	231.00
H5CN-YDN-AC100/240	ON-Delay	Time Remaining (down)	231.00

Terminal Form = 8-pin Round Socket, Contact Type = SPDT Relay

## TIMER SOCKETS

### OMRON TIMER SOCKET SELECTION GUIDE

Cat. No.	Description	Net Price
<b>SOCKETS FOR H3G-8A, H3G-8C</b>		
PF083A-E	Track Mounting, Top Screw terminals (Molded stand-off ring)	\$7.10
PF085A	Track Mounting, Top Screw terminals	10.10
<b>SOCKETS FOR H3Y2</b>		
PYF08A-E	Track Mounting, Top Screw terminals	6.10
PY08	Back Mounting, Solder Terminals	2.50
PY08-0	Back Mounting, PCB Terminals	2.50
<b>SOCKETS FOR H3Y-4</b>		
PYF14A-E	Track Mounting, Top Screw terminals	9.80
PY14	Back Mounting, Solder Terminals	2.90
PY14-0	Back Mounting, PCB Terminals	2.90
<b>8-PIN SOCKETS FOR H3BF-8, H3BH-8, H3BH-8R, H3CA-8, H3CA-8H, H3C4-A8, H3CR-H8RL, H3CR-H8L, H3CR-F8, H3CR-F8N, H3CR-F8300, H3CR-</b>		
P2CF-08	Bottom surface or track mounting, top screw terminals	9.80
P3G-08	Back mounting, for use with Y92F-30 mounting adapter, bottom screw terminals	14.90
<b>11-PIN SOCKETS FOR H3CA-A, 83CR-A, H3CR-F, H3CR-FN TIMERS</b>		
P2CF-11	Bottom surface or track mounting, top screw terminals	11.70
P3GA-11	Back mounting, for use with Y92F-30 mounting adapter, bottom screw terminals	17.10