

SSR SOLID STATE RELAYS

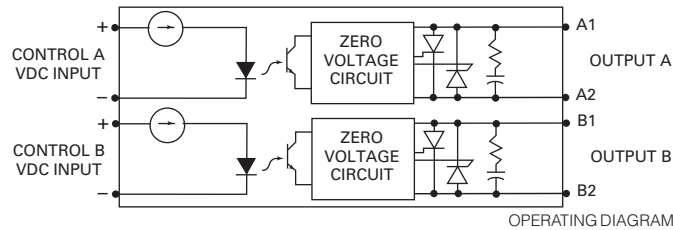
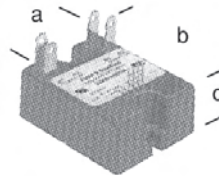
Cat. No.	Input				Output					Heatsink Rating	Output Current Derates From...	Blocking V Peak	1 Cycle Surge	Switching Type	Net Price
	Type	Min. V	Max. V	Typical Input Current	Type	Min. V	Max. V	Min. mA	Max. A \ddagger						
SSR-240A25 \bullet ★	AC/DC	90	280	15mA	AC	24	240	50	25	2.0°C/W	25A @ 40°C to 18A @ 80°C	±600	250A	Zero	\$45.43
SSR-240A50 \bullet ★	AC/DC	90	280	15mA	AC	24	240	50	50	1.0°C/W	50A @ 50°C to 38A @ 80°C	±600	600A	Zero	62.99
SSR-240D25 \bullet ★	DC	3	32	15mA	AC	24	240	50	25	2.0°C/W	25A @ 40°C to 18A @ 80°C	±600	250A	Zero	38.39
SSR-240D25R \bullet ★	DC	3.5	26	15mA	AC	24	240	50	25	2.0°C/W	25A @ 40°C to 18A @ 80°C	±600	250A	Random	42.54
SSR-240D50 \bullet ★	DC	3	32	15mA	AC	24	240	50	50	1.0°C/W	50A @ 50°C to 38A @ 80°C	±600	600A	Zero	55.93
SSR-480D125 \bullet ★	DC	3	32	15mA	AC	48	480	50	125	0.33°C/W	125A @ 20°C to 75A @ 80°C	±1,200	1,400A	Zero	89.11

‡Maximum output current rating is for relay properly mounted to a heatsink of the thermal resistance listed under "Heatsink Rating" in the chart above.

• Denotes UL.

★ Denotes UL Rec. Com./Canada.

NOTE: SSR relays mount via two 4.32 mtg. holes on 47.5 centres.



SSRD SERIES
DUAL AC OUTPUT SOLID STATE RELAY

FEATURES:

- Two independent AC output solid state relays in one standard package.
- Inverse parallel SCR outputs.
- 25A rms & 40A rms versions available.
- 3-32 VDC input control.
- Zero voltage and random voltage turn-on versions.
- 2500V rms optical isolation.
- Quick connect style terminals.
- Approx. dimensions a(44.4) x b(57.2) x c(20h).
- Weight 98g.
- Quick connect terminals
- Chassis mounting.
- UL File E29244, UL recognized for Canada.

SSRD DUAL OUTPUT SECTION SOLID STATE RELAY

Cat. No.	Input per Section				Output per Section					Heatsink Rating	Output Current† Derates From...	Block V Peak	1 Cycle Surge	Switching Type	Net Price
	Type	Min. V	Max. V	Typical Input Current	Type	Min. V	Max. V	Min. mA	Max. A \ddagger						
SSRD-240D25 \bullet ★	DC	3	32	15mA @ 5VDC	AC	24	240	50	25	1.°C/W	50A @ 50°C to 32A @ 80°C	±600	300A	Zero	\$69.88
SSRD-240D40 \bullet ★	DC	3	32	15mA @ 5VDC	AC	24	240	50	40	0.5°C/W	80A @ 40°C to 47A @ 80°C	±600	500A	Zero	89.11

‡Maximum output current rating is for relay properly mounted to a heatsink of the thermal resistance listed under "Heatsink Rating" in the chart above.

†Output current derating values given are totals for the relay with both sections "ON."

• Denotes UL.

★ Denotes UL Rec. Com./Canada.

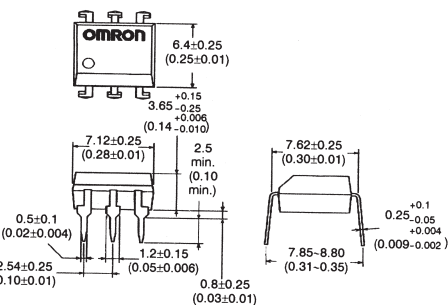
NOTE: SSRD relays mount via two 4.32 mtg. holes on 47.5 centres.

Type		High Frequency Relays				General Purpose Relays						Solid State Relays			
Cat. No.		G6K-RF	G6W	G6Y	G6Z	G4B	G7J	G7L	LY	MK	MY	G3NA	G3M	G3MB	G3TC
Terminal Types	Quick connect					x		x	x		x				
	Plug-in							x	x	x	x				
	PCB type		x	x	x	x	x	x	x		x		x	x	x
	Screw terminals							x	x			x			
	Surface mount	x	x		x										
Sealed types		x	x	x	x						x				
Poles	Single pole		x	x	x	x						x	x	x	x
	Multi-Pole number of poles	2					2, 3, 4	1, 2	1, 2, 3, 4	2, 3	2, 3, 4				
Latch type		x	x		x					x					
Approved by UL/CSA						x	x	x	x	x	x	x	x	x	x
Conforms to VDE								x	x	x					
AC coil type						x	x	x	x	x	x				x
Contact ratings	0A to 3A	x	x	x	x						x		x	x	x
	3A to 10A									x	x	x			
	10A to 15A									x		x			
	15A to 20A					x						x			
	20A to 40A					x	x	x				x			
Typical applications	Computer mainframe & computer peripherals						x	x				x			
	Control panel					x	x	x	x	x	x	x	x	x	x
	Home appliance					x	x	x	x		x		x	x	x
	Office automation						x	x	x		x	x	x	x	x
	Security systems	x	x	x	x	x	x	x	x		x	x	x	x	x
	Telecommunications	x	x	x	x										
	Test & measurement equipment	x	x	x	x		x	x	x		x	x			x
	Vending equipment						x	x	x		x		x	x	x

Mosfet Relays



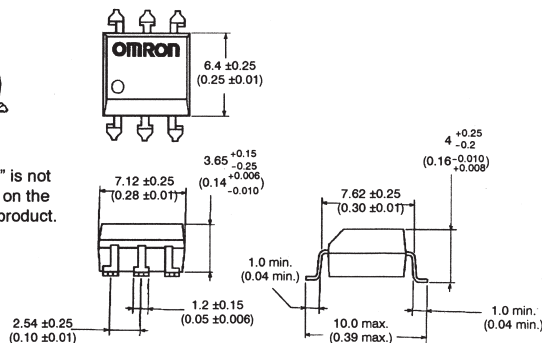
Note: "G3VM" is not printed on the actual product.



G3VM-3, G3VM-3L, G3VM-V



Note: "G3VM" is not printed on the actual product.



G3VM-3F, G3VM-3FL, G3VM-VF

G3VM MOSFET RELAY

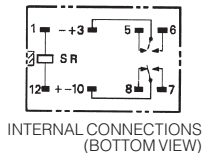
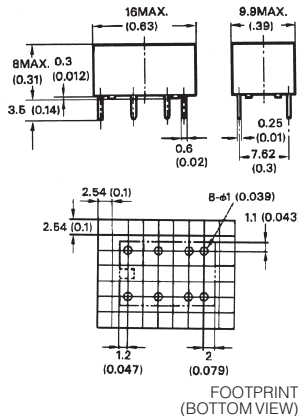
FEATURES:

- Output voltage up to 400V
- High-dielectric, 5000VAC version available.
- Available in PCB thru-hole, SMT gull-wing, and SOP terminal package
- Ideal for telecom and data communications

Cat. No.	Contact Form	Terminals	Load Voltage	Max. Output Current (mA)	Net Price
PCB THRU-HOLE					
G3VM-2	SPST-NO	4	350	120	\$3.90
G3VM-3	SPST-NO	6	350	160	3.90
G3VM-3L*	SPST-NO	6	350	120	4.99
G3VM-V	SPST-NO	6	60	600	3.90
G3VM-6	SPST-NO	6	400	300	7.00
G3VM-W	DPST-NO	8	350	120	7.00
G3VM-353A	SPST-NC	4	350	300	10.68
G3VM-353B	SPST-NC	6	350	300	10.68
G3VM-354C	DPST-NC	8	350	150	21.99
G3VM-601BY	SPST-NO	6	600	200	10.68
SMT					
G3VM-2F	SPST-NO	4	350	120	4.26
G3VM-3F	SPST-NO	6	350	160	4.26
G3VM-3FL*	SPST-NO	6	350	120	4.26
G3VM-VF	SPST-NO	4	60	600	4.26
G3VM-6F	SPST-NO	6	350	300	7.00
G3VM-WF	DPST-NO	8	350	120	8.64
G3VM-353D	SPST-NC	4	350	300	10.68
G3VM-353E	SPST-NC	6	350	300	10.68
G3VM-354F	DPST-NC	8	350	150	22.18
G3VM-601EY	SPST-NO	6	600	200	10.80
SOP					
G3VM-S5	SPST-NO	4	200	150	4.50
G3VM-S2	SPST-NO	4	350	120	4.30
G3VM-S3	SPST-NO	6	350	160	8.25
G3VM-SY	DPST-NO	8	60	300	10.93
G3VM-SW	DPST-NO	8	350	120	10.93
G3VM-S1	SPST-NO	4	60	300	5.49

*Current limiting options.

Low Signal Relays



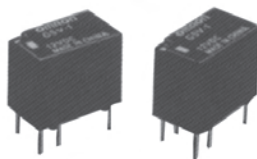
OMRON G5A SERIES

FEATURES:

- Subminiature 8.40H × 9.90W × 16L mm
- Unique moving magnet armature reduces relay size, magnetic interference, and contact bounce time.
- Low nominal power consumption (200mV)
- Bifurcated crossbar contact assures highly reliable switching of loads as low as 10mVDC, 0.1 mA
- Automatic flow or dip soldering possible
- Available in standard, high-sensitivity, low thermoelectromotive force, and ultrasonic cleaning versions
- Highly stable magnetic circuit for latching endurance and excellent resistance to vibration and shock.
- Sealed structure
- RoHS compliant

Cat. No.	Contact Form	Volts	Contact Rating	Type	Net Price
⊕ G5A-234P-DC5	DPDT	5	1A	Standard	\$8.06
⊕ G5A-234P-DC12	DPDT	12	1A	Standard	8.06
⊕ G5A-234P-DC24	DPDT	24	1A	Standard	8.06
⊕ G5A-234PH-DC5	DPDT	5	1A	High-sensitivity	6.25
⊕ G5A-234PH-DC12	DPDT	12	1A	High-sensitivity	6.25
⊕ G5A-234PH-DC24	DPDT	24	1A	High-sensitivity	6.25

NOTE: Single and double winding latching models also available



G5V-1

Ultra-miniature, highly sensitive SPDT relay for signal circuits.

FEATURES:

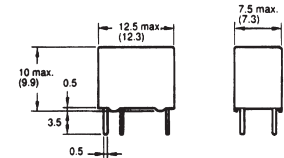
- Ultra-miniature at 12.5(W) × 7.5(L) × 10(H) mm
- Wide switching capacity of 1 mA to 1 A
- High sensitivity: 150 mW nominal coil power
- Plastic-sealed construction
- International 2.54 mm terminal pitch
- Conforms to FCC Part 68

ULTRA-MINIATURE SIGNAL CIRCUIT RELAY

Cat. No.	Contact Type	Coil Voltage	Rated Load	Net Price
⊕ G5V-1-DC5	SPDT	5-Volt DC	0.5 A at 125 VAC	\$3.17
⊕ G5V-1-DC12	SPDT	12-Volt DC	1 A at 24 VDC	3.17
⊕ G5V-1-DC24	SPDT	24-Volt DC		3.17



PC BOARD RELAY
(TOP AND SIDE VIEWS)



G5V-2

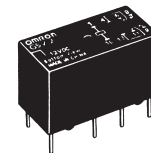
Low Signal PC Board Relay.

FEATURES:

- Suitable for handling low signals in computer peripherals, telecommunications and security equipment
- Capable of switching loads up to 2 A
- Conforms to FCC part 68 1500 V surge withstand
- Reliable bifurcated crossbar contacts
- Fully sealed construction

LOW SIGNAL CIRCUIT RELAY

Cat. No.	Contact Type	Coil Voltage	Rated Load	Net Price
⊕ G5V-2-DC5	DPDT	5-Volt-DC	0.5 A at 125 VAC	\$3.90
⊕ G5V-2-DC12	DPDT	12-Volt DC	2 A at 30 VDC	3.90
⊕ G5V-2-DC24	DPDT	24-Volt DC		3.90



G5V-2-H1 PC BOARD RELAY

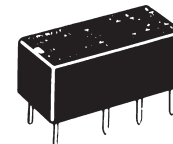
FEATURES:

- Low 150 mW coil power
- Suitable for handling low signals in computer peripherals, telecommunications and security equipment.
- Capable of switching loads up to 2 A
- Conforms to FCC part 68 1500 V surge withstand.
- Reliable bifurcated crossbar contacts.
- Fully sealed construction.

G5V-2-H1 "ULTRA SENSITIVE" LOW SIGNAL CIRCUIT RELAY

Cat. No.	Contact Type	Voltage	Rated Load	Net Price
⊕ G5V-2-H1-DC5	DPDT	5 VDC	0.5A at 125 VAC	\$4.31
⊕ G5V-2-H1-DC12	DPDT	12 VDC	2A at 30 VDC	4.31
⊕ G5V-2-H1-DC24	DPDT	24 VDC		4.31
⊕ G5V-2-H1-DC48	DPDT	48 VDC		4.72

NOTE: Low Power Consumption of only 150 mW.



0.33"H × 0.79"L × 0.39"W

OMRON G6A-SERIES

Plastic sealed—highly sensitive—can be driven by digital circuits, with a high impulse withstand voltage (1,500 V), and ideal for communication equipment. Units can be mounted side by side due to low magnetic leakage and immunity to mutual magnetic interference through the use of a unique moving loop armature that reduces relay size, magnetic interference, and contact bounce time.

OMRON G6A TELECOMMUNICATION PC BOARD RELAY

Cat. No.	Coil		Contacts		Net Price
	Volts	mA	Arrang.	Amps	
STANDARD—NON-LATCHING TYPES					
⊕ G6A-234P-ST-US-DC5	5VDC	40.0 mA	DPDT	3 Amp	\$5.47
⊕ G6A-234P-ST-US-DC12	12VDC	16.7 mA	DPDT	3 Amp	5.47
⊕ G6A-234P-ST-US-DC24	24VDC	8.3 mA	DPDT	3 Amp	5.47
⊕ G6A-274P-ST-US-DC5	5VDC	40.0 mA	DPDT	3 Amp	5.47
⊕ G6A-274P-ST-US-DC12	12VDC	16.7 mA	DPDT	3 Amp	5.47
⊕ G6A-274P-ST-US-DC24	24VDC	8.3 mA	DPDT	3 Amp	5.47
⊕ G6A-474P-ST-US-DC5	5VDC	72.5 mA	4PDT	3 Amp	13.89
⊕ G6A-474P-ST-US-DC12	12VDC	30.0 mA	4PDT	3 Amp	13.89
STANDARD—DUAL COIL LATCHING TYPES					
⊕ G6AK-274P-ST-US-DC5	5VDC	36.0 mA	DPDT	3 Amp	8.05
⊕ G6AK-274P-ST-US-DC12	12VDC	15.0 mA	DPDT	3 Amp	8.05
⊕ G6AK-474P-ST-US-DC5	5VDC	36.0 mA	4PDT	3 Amp	18.38
⊕ G6AK-474P-ST-US-DC12	12VDC	15.0 mA	4PDT	3 Amp	18.38