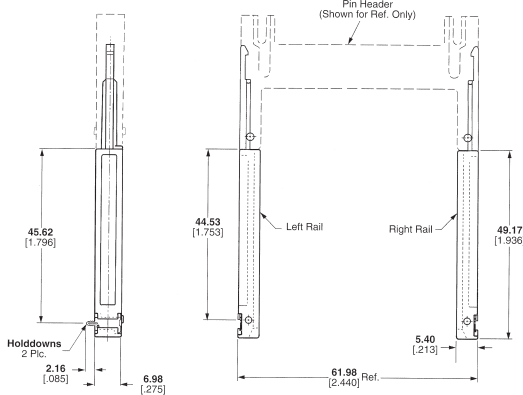
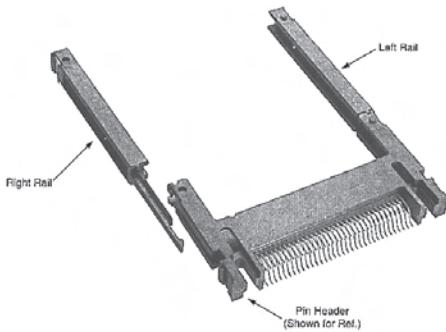


AMP EJECTOR ASSEMBLY FOR STANDARD PROFILE PIN HEADERS

Material and Finish: Rails, Shroud and Bottom: Liquid crystal polymer, black. Ejector, Rail plate and Lever: Stainless steel.

Cat. No.	Description	Net Price
146019-1	Left button ejector	\$5.74

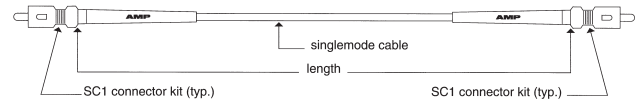


AMP GUIDE RAILS FOR STANDARD PROFILE PIN HEADERS

Material and Finish: Rails: Liquid crystal polymer, black. Holddowns: phosphor bronze, tin plated.

LEFT AND RIGHT GUIDE RAILS WITH THRU-HOLE HOLDDOWNS

Cat. No.	Description	Net Price
5535664-1	Left guide rail	\$2.63
5535664-2	Right guide rail	2.71



AMP OPTICAL FIBER CABLE ASSEMBLIES, SC1—SC1 SIMPLEX P/C STYLE

FEATURES: Simplex style cable: nominal dimension 3.0mm. Compatible with all SC connectors and are made under license of NTT. All assemblies use a Epoxy/Crimp Termination Procedure reducing degradation of optical performance beyond the specified limits. Bend—limiting high precision strain relief. For high performance characteristics HRL/angle polish is available in excess of 60 db. Insertion loss: 0.3 db typical. Mating cycles: (Less than 0.2 db change): 1000 (ceramic). Operating temperature: -20°C to +85°C (ceramic).

Cat. No.	Length (m)
SINGLEMODE	
9-81925-5	5
9-81925-9	10

NOTE: Contact your Electro Sonic sales representative for pricing.



AMP TERMINATION KITS

Termination Kits provide all the materials and tools required to terminate a particular type of fiber optic connector. Tools are conveniently packaged in a handy carrying case. The kits contain polishing materials for approximately 60 connectors. The consumable items in the kit can be purchased separately.

Cat. No.	Connector Type	Net
503746-7	ST Style	\$1100.90
503330-1	Light Crimp XTC, all types	1569.35

NOTE: Cable assemblies also available.



ST STYLE COUPLING RECEPTACLES (FREE-HANGING OR PANEL MOUNT)

Cat. No.	Description	Net Price
502750-1	Multimode, ceramic	\$4.08
501381-1	Singlemode/multimode, plastic	1.89

NOTE: Cable assemblies also available.



ST STYLE CONNECTORS, (EPOXY)

Cat. No.	Description	Net Price
5501380-1	125um/Multimode, Ceramic	\$5.48
5503415-1	125um/Multimode, Plastic	2.47
5502579-2	126um/Singlemode, Ceramic	5.61
58433-4	PRO-CRIMPER II with Die Set	215.94
58424-1	ST Style Die Set	93.40

NOTE: Cable assemblies also available.



SC STYLE CONECTORS, CERAMIC, (EPOXY)

Cat. No.	Description	Net Price
503948-1	125um/Simplex/Multimode, 3.0mm	\$3.88
504646-1	125um/Simplex/Singlemode, 3.0mm	4.68
504646-2	126um/Simplex/Singlemode, 3.0mm	4.08
5504657-1	125um/Duplex/Multimode, 3.0mm	5.65
5504655-1	126um/Duplex/Singlemode, 3.0mm	7.65
58433-4	PRO-CRIMPER II with Die Set	215.94
58424-1	SC Style Die Set	93.40

NOTE: Cable assemblies also available.



ACTIVE DEVICE MOUNT (ST)

Cat. No.	Description	Net Price
501474-1	Multimode, Standard Height	\$7.86
5502585-2	Multimode, Low Profile	4.74

NOTE: Cable assemblies also available.



ST STYLE CONNECTORS, LIGHTCRIMP (EPOXYLESS)

Cat. No.	Description	Net Price
492168-1	125um/Multimode, Polymer	\$9.28
504001-1	125um/Multimode, Ceramic	15.51
504000-1	126um/Singlemode, Ceramic	37.70
492322-1	Termination/Mini Tool Kit	1038.97
503330-1	Termination/Tool Kit	1569.35
503330-2	Termination/Tool Kit w/micro.	3988.02

NOTE: Cable assemblies also available.



SC STYLE CONECTORS, LIGHTCRIMP (EPOXYLESS)

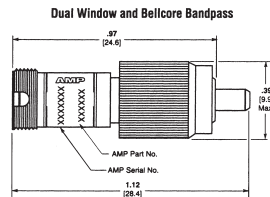
Cat. No.	Description	Net Price
503692-1	125um/Simplex/Multimode, Ceramic	\$18.82
503693-1	125um/Duplex/Multimode, Ceramic	39.01
503706-1	Termination/Tool Kit	1603.98
503706-2	Termination/Tool Kit	3264.96
503707-1	Upgrade Kit, ST to SC	885.72
502977-1	SC Microscope Adapter	55.49
492783-1	Light Crimp ST Die Set	362.95

NOTE: Cable assemblies also available.



HYBRID ADAPTERS, MULTIMODE OR SINGLEMODE

Cat. No.	Description	Net Price
5502780-1	SC to ST (black)	\$4.46
5502780-2	SC to ST (blue)	4.46
5502780-3	SC to ST (beige)	3.54
5503638-1	SC to ST (nickel plated die cast)	12.77
5502781-1	SC to FC (black)	7.02
5502781-2	SC to FC (blue)	7.02
5502781-3	SC to FC (beige)	7.02
5503480-1	SC to FC (nickel plated die cast)	16.31
503640-1	FC to ST (nickel plated die cast)	6.93
5503137-1	Duplex SC to ST (black)	6.17
5503137-2	Duplex SC to ST (blue)	6.17
5503137-3	Duplex SC to ST (beige)	6.17



SINGLEMODE FIBRE OPTIC ATTENUATORS

Cat. No.	Description	Net Price
209948-5	5 dB FC BOA	\$61.14
1-209948-0	10 dB FC BOA	61.14
1-209948-5	15 dB FC BOA	61.14
209943-3	3 dB SC BOA	61.14
209943-5	5 dB SC BOA	61.14
1-209943-0	10 dB SC BOA	61.14
1-209943-5	15 dB SC BOA	61.14



FIBRE OPTIC GUIDE, TOOLS, EPOXY, AND ACCESSORIES

Cat. No.	Description	Net Price
504064-1	Sapphire-Tipped Scibe Tool	\$70.76
502306-1	Consumables Kits, ST Style, FSD, FSMA	425.49
502306-2	Consumables Kits, SC, Singlemode ST	550.61
502306-3	Consumables Kits, LightCrimp	167.20
501195-4	TRA-CON Epoxy-Bipax, High Impact	245.38
502134-1	Epoxy Curling Oven	1016.59
228433-8	Hand Polishing Film, 5um	2.67
228433-7	Hand Polishing Film, 1um	2.54
228433-5	Hand Polishing Film, .3um	2.67
228433-5	Hand Polishing Film, .3um	23.50