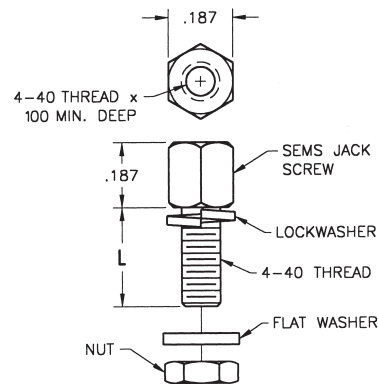


KEYSTONE FIBRE SHOULDER WASHERS

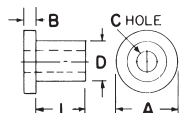
Cat. No.	Screws	L	A	B	C	D	Net Price Per 1000		
							1-299	500-999	1000-Up
3062	4	.031	.250	.031	.115	.187	\$63.75	\$44.88	\$28.98
3064	6	.031	.312	.062	.140	.187	61.23	43.10	27.83
3233	6	.031	.375	.062	.140	.240	113.84	80.14	51.75
3065	8	.031	.375	.062	.170	.246	71.02	50.00	32.29
3069	3/8	.031	.625	.062	.385	.498	109.14	76.83	49.61
3241	3/8	.031	.750	.062	.385	.498	151.79	106.86	69.00



SEMS JACK SCREWS

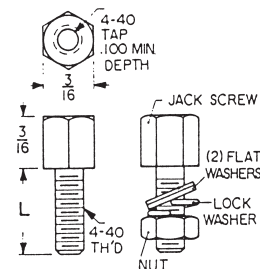
"D" subminiature connector mounting screw. Captivated helical spring lockwasher, simplifies use. Flat washer and nut supplied unassembled. **Material:** Steel, zinc plate clear chromate.

Cat. No.	Dimension "L"	Net Price Per 1000
JACK ONLY		
7235	.285	\$274.79
7237	.347	208.11
7239	.660	557.81
JACK WITH HARDWARE (SUPPLIED UNASSEMBLED)		
7236	.285	357.94
7238	.347	291.04
7240	.660	640.93



KEYSTONE NYLON SHOULDER BUSHINGS

Cat. No.	Screws	L	A	B	C	D	Net Price Per 1000		
							1-299	500-999	1000-Up
7680	2	.025	.260	.030	.095	.154	\$115.01	\$80.96	\$52.28
7681	4	.047	.250	.032	.115	.185	68.47	48.20	31.12
3053	4	.093	.235	.047	.115	.145	79.80	56.18	36.28
3102	4	.125	.235	.047	.115	.145	86.45	60.86	39.29
3103	4	.187	.235	.047	.115	.145	86.45	60.86	39.29
340	4	.250	.235	.047	.115	.145	86.45	60.86	39.29
7682	6	.032	.385	.062	.145	.240	75.10	52.87	34.14
7683	6	.032	.250	.062	.140	.187	64.56	45.45	29.35
7684	6	.032	.312	.062	.140	.187	70.41	49.56	32.00
3054	6	.125	.290	.047	.140	.170	88.81	62.52	40.37
3104	6	.187	.290	.047	.140	.170	89.97	63.34	40.90
341	6	.250	.290	.047	.140	.170	86.45	60.86	39.29
3055	6	.500	.290	.047	.140	.170	95.46	67.20	43.39
7685	8	.032	.375	.032	.171	.250	75.10	52.87	34.14
3056	8	.140	.344	.062	.171	.205	102.47	72.14	46.58
3105	8	.250	.344	.062	.171	.205	92.72	65.27	42.14
342	8	.375	.344	.062	.171	.205	92.72	65.27	42.14
3106	8	.500	.344	.062	.171	.205	92.72	65.27	42.14
7686	10	.032	.375	.062	.196	.308	75.10	52.87	34.14
3107	10	.093	.438	.062	.200	.260	100.54	70.78	45.70
3108	10	.250	.399	.062	.200	.260	100.54	70.78	45.70
3057	10	.500	.399	.062	.200	.260	98.97	69.67	44.99
3058	10	.750	.399	.062	.200	.260	98.97	69.67	44.99
7687	1/4	.032	.437	.032	.253	.310	80.58	56.73	36.63
3059	1/4	.187	.513	.062	.260	.312	102.47	72.14	46.58
3109	1/4	.250	.513	.062	.260	.312	102.47	72.14	46.58
3110	1/4	.375	.513	.062	.260	.312	102.47	72.14	46.58
3060	1/4	.500	.513	.062	.260	.312	102.47	72.14	46.58



JACK SCREWS

"D" subminiature connector mounting screw. Equivalent to AMP, CANNON and TRW jack screws. Other sizes upon request. **Material:** Steel.

Cat. No.	Dimension "L"	Net Price Per 1000
JACK ONLY, ZINC PLATE AND GOLD IRIDITE		
7228	.250	\$261.70
7230	.312	198.14
7232	.625	531.21
JACK ONLY, ZINC PLATE AND CLEAR CHROMATE		
7228-5	.250	261.70
7230-5	.312	198.14
7232-5	.625	531.21
JACK WITH HARDWARE (SUPPLIED UNASSEMBLED), ZINC PLATE AND GOLD IRIDITE		
7229	.250	340.92
7231	.312	277.34
7233	.625	610.43
JACK WITH HARDWARE (SUPPLIED UNASSEMBLED), ZINC PLATE AND CLEAR CHROMATE		
7229-5	.250	340.92
7231-5	.312	277.34
7233-5	.625	610.43



METRIC HARDWARE ASSORTMENT

Contains Round Head Machine Screws, Hex Nuts, Flat Washer and Spring Lock Washer, in Steel, Nickel Plated. Comes in 2, 2.6, 3, 4, and 5 mm sizes. Total quantity 560 pieces.

Cat. No.	Net Price
11-528	\$62.88



NYLON HARDWARE ASSORTMENT

Contents	Thickness	Qty. in Pkg.
ROUND HEAD MACHINE SCREWS		
#6-32 x 1/2"		10
#6-32 x 1/2"		10
BINDING HEAD MACHINE SCREWS		
#6-32 x 1/2"		10
#8-32 x 1/2"		10
HEX NUTS		
#6-32 x 5/16"	1/16"	20
#8-32 x 1/2"	1/8"	20

Screw Size	Hole Size	O.D.	Thickness	Qty. in Pkg.
WASHERS				
#6	.150"	5/16"	.050"	20
#8	.170"	3/8"	.050"	20

Cat. No.	Net Price
11-516	\$14.65



FUSE CLIPS

For easy replacement of fuses on PC boards. Clips fit standard 1/4" diameter fuses.

Cat. No.	Type	Pkg. Qty.	Net Price
11-510	Pigtail	12	\$4.09



HOLE PLUGS

Nickel plated steel snap-in hole plugs.

Cat. No.	Description	Net Price
11-344-C	1/4" Dia. hole plugs	\$21.11
11-392-C	1" Dia. Vent hole plugs	130.20

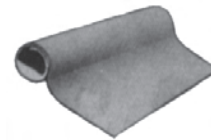


FLAT METAL WASHERS STEEL, NICKEL PLATED

Cat. No.	Description				Net Price
	Screw Size	Hole Size	O.D.	Thickness	
11-142-C	#4	1/8"	9/32"	1/32"	\$3.39
11-146-C	#6	5/32"	3/8"	1/32"	3.46

FLAT FIBRE WASHERS

11-428-C	#4	.120"	1/4"	1/32"	3.92
11-432-C	#6	5/64"	1/4"	1/32"	4.06




G-C INSULATING CAMBRIC "BREAKDOWN VOLTAGE 5,000 VOLTS"

Dry yellow varnished cambric for field coils, transformers, chokes, resistors, motors, etc. Needed for many repair jobs to insulate parts and wires. Width 9 inches.

Cat. No.	Description	Net Price
00-0549-0000	.010" - Roll, 210 sq. in.	\$5.83



Part's indicated with a leaf  are considered RoHS July 2006 compliant based on the manufacturer's confirmation at the time of publishing. For additional information please contact Electro Sonic.