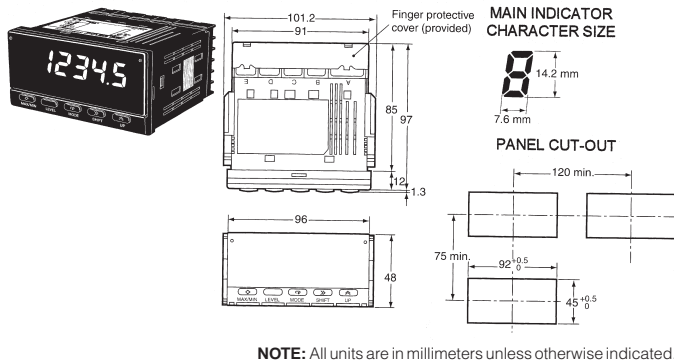


K3TG 1/32 DIN SUBMINIATURE DC VOLTMETER

- Ultra-compact DIN-size (48 × 24 (W × H)) body.
- Mounting thickness of only 2 mm required.
- Highly visible display with 10.2-mm-high LEDs.
- 5-VDC power supply for control.

Cat. No.	Description	Net Price
K3TG-V117	Subminiature, DPM, ±199.9mv, 5VDC Supply	\$94.64
K3TG-V217	Subminiature, DPM, ±1.999VDC, 5VDC Supply	94.64
K3TG-V317	Subminiature, DPM, ±19.99VDC, 5VDC Supply	94.64
K3TG-V417	Subminiature, DPM, ±199.9VDC, 5VDC Supply	94.64
ACCESSORIES		
K32-L49SC	Water Resistant Cover (K3TE/F)	16.02
K32-L49MB	Mounting Bracket For Cover	5.72
K32-L49TC	Terminal Cover	5.72
K32-L24SC	Water Resistant Cover (K3TG)	16.02

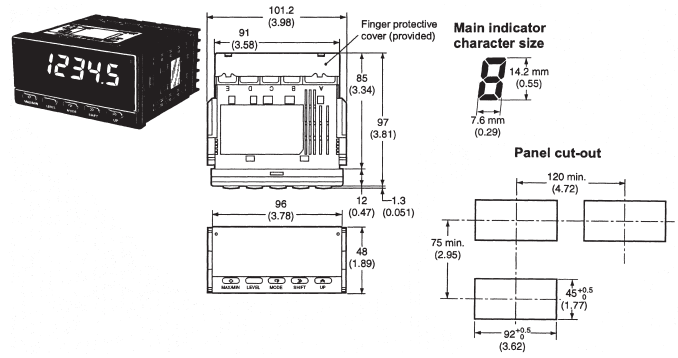


K3MA-F FREQUENCY/RATE METER

Highly visible LCD display with 2-colour (red and green) LEDs.

- Display: 7-segment digital display, character height: 14.2mm
- Contact, NPN, PNP, or voltage pulse input
- Front-panel key operation for easy setting
- Average processing function suppresses flicker
- Includes scaling auto-zero time, start-up compensation time functions
- Easy confirmation of max/min display
- Short 80mm depth (measured from edge of faceplate)
- Finger protect cover (standard equipment) guards against electric shock
- Water and dust-proof NEMA4X (IP66 equivalent) front panel
- Recognized to U.S. and Canada requirements under the Component Recognition Program of UL with CE marking
- Operating temperature: -10°C to 55°C (with no condensation or icing)
- Weight approx.: 200g

Cat. No.	Supply Voltage	Input Type	Output	Net Price
K3MA-F-AC100-240	100 to 240 VAC	Rotary Pulse	None	\$252.00
K3MA-F-A2AC100-240			2 relay contact outputs (SPST-NO)	263.00
K3MA-F-AC/DC24	24 VAC/VDC		None	252.00
K3MA-F-A2AC/DC24			2 relay contact outputs (SPST-NO)	263.00

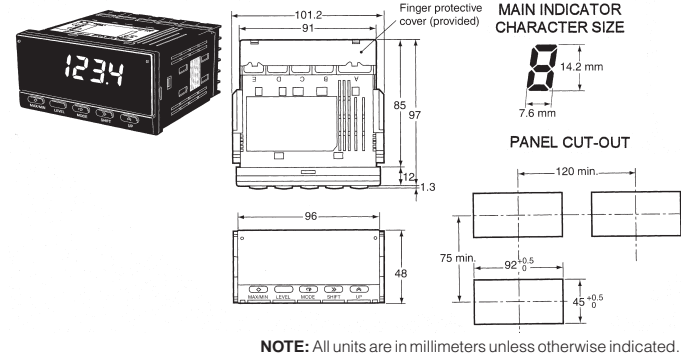


00000K3MA-J PROCESS METER

Highly visible LCD display with 2-colour (red and green) LEDs.

- Multi-range process signal
- Front-panel key operation for easy setting
- Average processing function suppresses flicker
- Scaling, front-panel forced-zero, zero-limit functions
- Easy confirmation of max/min display
- Short 80mm depth
- Water and dust-proof NEMA 4X (IP66 equivalent) front panel
- Finger protective cover

Cat. No.	Supply Voltage	Input Type	Output	Net Price
K3MA-J-AC100-240	100 to 240 VAC	0-20mA DC, 4-20mA DC, 0-5 VDC, 1-5 VDC, -5 - +5 VDC, -10 - +10 VDC	None	\$221.00
K3MA-J-A2-AC100-240			2 relay contact outputs (SPST-NO)	231.00
K3MA-J-AC/DC24	24 VAC/VDC		None	221.00
K3MA-J-A2-AC/DC24			2 relay contact outputs (SPDT-NO)	231.00



K3MA-L DIGITAL TEMPERATURE METER

Highly visible LCD display with 2-colour (red and green) LEDs.

- Display: 7-segment digital display, character height: 14.2mm
- Wide input range—select from two types of platinum-resistance thermometers and ten types of thermocouples
- Front-panel key operation for easy setting
- Average processing function suppresses flicker
- Temperature input shift and temperature unit selection functions
- Easy confirmation of max/min display
- Short 80-mm depth (measured from edge of faceplate)
- Finger protective cover (standard equipment) protects against electric shock
- Water and dust-proof NEMA4X (IP66 equivalent) front panel
- Recognized to U.S. and Canadian requirements under the Component Recognition Program of UL with CE marking
- Operating temperature: -10°C to 55°C (with no condensation or icing)
- Weight approx.: 200g

Cat. No.	Supply Voltage	Input Type	Output	Net Price
K3MA-L-AC100-240	100 to 240 VAC	Platinum-resistance thermometer or thermocouple	None	\$205.00
K3MA-L-CAC100/240			1 relay contact output (SPDT)	215.00
K3MA-L-AC/DC24	24 VAC/VDC		None	205.00
K3MA-L-CAC/DC24			1 relay contact output (SPDT)	215.00



DMS-20PC-1-FM

2-WIRE FREQUENCY METERS

FREQUENCY MONITORS

FEATURES:

- Ideal for emergency power-generating equipment
- Available in 50/60Hz or 400Hz versions; 120/220Vac inputs
- 3-digit readouts accurate to ± 0.1 Hertz (60Hz model)
- Easy-to-read, large (0.4" / 10.2mm), red LED displays
- Screw terminals for easy panel mounting
- Rugged, epoxy-encapsulated construction

SPECIFICATIONS

Cat. No.	Display Type	Input Range	Resolution	Maximum Current Drain	Package Size (Inches) ¹ ²
DMS-20PC-1-FM	LED ³	47.0-99.0Hz@85-140Vac	0.1Hz	50mA Arms	1.38 x 0.88 x 1.00
DMS-20PC-2-FM		350-450Hz@85-140Vac	1Hz	50mA Arms	1.38 x 0.88 x 1.00
DMS-20PC-3-FM		47.0-99.0Hz@170-264Vac	0.1Hz	50mA Arms	1.38 x 0.88 x 1.00

Note: ¹Panel-mount front bezels, with or without sealing gaskets, may be ordered separately. ²All ac voltmeters have screw terminals on the back of their packages. ³All LED displays are red and have a digit height of 0.4" / 10.2mm.

Cat. No.	Description	Net Price
RED LED, 120V AC FREQ. METER		
DMS-20PC-1-FM	47-99Hz	\$71.16
DMS-20PC-2-FM	350-450Hz	71.16
RED LED, 220V AC FREQ. METER		
DMS-20PC-3-FM	47-99Hz	71.16



DMS-20PC-4/20S



DMS-30LCD-4/20S

4-20mA LOOP-POWERED PROCESS MONITORS

DMS-20PC-4/20S

- Totally loop powered—no external power supply
- Large (0.37" / 9.4mm), bright red, 3½ digit LED display
- DIP-switch selectable range and decimal points
- On-board span/gain and zero/offset adjustments
- Rugged, vibration-resistant package
- Reliable screw terminals
- 1.38" x .88" x 1.0"

DMS-30LCD-4/20S

- Totally loop powered—no external power supply
- Large (0.4" / 10.2mm), easy-to-read, 3½ digit LCD display
- DIP-switch selectable range and decimal points
- On-board span/gain and zero/offset adjustments
- Rugged, vibration-resistant package
- Reliable screw terminals
- 2.17" x .92" x 0.99"

Cat. No.	Description	Net Price
DMS-20PC-4/20S	Self-powered, 3-½ digit, red LED meter	\$91.49
DMS-30LCD-4/20S	Self-powered, 3-½ digit, LCD meter	90.21



DMS-30PC-4/20S-5RS

4-20mA POWERED PROCESS MONITORS

FEATURES:

- First local readout with a full-size (0.56" / 14.2mm) LED display
- 4 LED options including low-power and high-intensity red
- 4 connections...2 for loop, 2 for power (+5 to +32V)
- DIP-switch selectable range and decimal points
- On-board span/gain and zero/offset adjustments
- Rugged, vibration-resistant package
- Reliable screw terminals
- 2.17" x .92" x 1.12"

Cat. No.	Description	Net Price
DMS-30PC-4/20S-24RL	7.5-32V supply, 3-½ digit, red LED meter	\$99.11



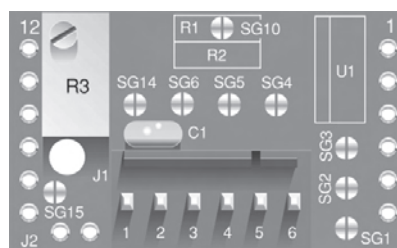
DMS-20PC-0/5-5RH

0-5V PROCESS MONITORS

FEATURES:

- 4 connections...2 for power, 2 for signal
- +5V or +5-40V supply (10mA current drain @ 24V)
- On-board span/gain and zero/offset adjustments
- Offset adjustable for 1-5V applications
- DIP-switch selectable range and decimal points
- 3½ digit LED display with 0.37" / 9.4mm digits
- 4 LED options: red, green, low-power red, high-intensity red
- 1.38" x 1.28" x 1.0"

Cat. No.	Description	Net Price
DMS-20PC-0/5-24RL	0-5V input, 3-½ digit, red LED meter	\$99.11



DMS-EB2

DIGITAL PANEL METER ACCESSORIES

DMS-EB2 FEATURES:

- Provisions for 4-20mA operation
- Gain (span) and offset (zero) adjustments
- Input divider network for high voltages up to 250Vdc
- Operate meter and board from +5V supply or 9/12V battery
- On-board solder gaps for decimal point placement
- On-board I/O connector for easy power and signal input
- Low cost! Stock delivery

Cat. No.	Description	Net Price
DMS-EB2	Application board for DMS-20 meter	\$21.07
DMS-BZL1	Bezel for DMS-30 & 40 meters	5.08
DMS-BZL2	Bezel & Gasket for DMS-30 & DMS-40 meters	7.62
DMS-BZL3	Bezel for DMS-20 meters	5.08
DMS-BZL4	Bezel & Gasket for DMS-20 meters	7.62