

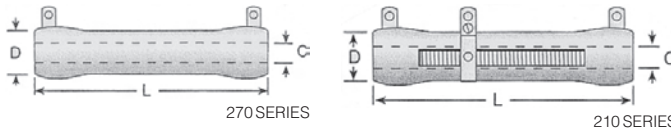
Ohmite Power Resistors

STOCKING RESISTANCE VALUES

Series	Value (Codes)
SM102-J	100K (1003); 2M (2004); 5M (5004); 50M
SM102-F	10M (1005); 100M (1006); 1000M (1007)
SM104-J	100M (1006)
SM104-F	10M (1005); 100M (1006)
SM106-F	2M (2004)
SM204-J	1M (1004)
SM204-F	10M (1005)

Cat. No.	Tol.	Power Rating	Voltage Rating	Resistance Range	Net Price	
					1-9	10-49
SM10203(Code)-J	±5%	1.0	5.0kV	200-5000M	\$4.32	\$3.60
SM10203(Code)-F	±1%	1.0	5.0kV	200-5000M	4.51	3.76
SM10403(Code)-J	±5%	1.5	10kV	500-5000M	4.47	3.73
SM10403(Code)-F	±1%	1.5	10kV	500-5000M	5.05	4.21
SM10603(Code)-F	±1%	2.0	15kV	750-5000M	5.48	4.56
SM20403(Code)-J	±5%	2.0	10kV	1K-5000M	6.52	5.43
SM20403(Code)-F	±5%	2.0	10kV	1K-5000M	7.44	6.20

NOTE: RoHS Compliant. For resistance value replace "Code" (ex: 33JCodeE) in Cat. No. with value from Stocking Resistance Value Chart.



VITREOUS ENAMEL POWER WIREWOUND RESISTORS

FEATURES: Terminals suitable for soldering or bolt connection. High wattage applications. Rugged vitreous enamel coating. Flame resistant coating. All-welded construction. Tolerance: 5% for 270 Series fixed resistors, 10% for 210 Series adjustable resistors.

SPECIFICATIONS AND DIMENSIONS

Series	Watts	"L" (Length) mm	Dia. mm	"C" Core mm	Voltage	Bracket (Not Included)
D12/L12	12	44.4	7.94	4.76	565	5
D25/L25	25	50.8	14.3	7.94	625	9
D50/L50	50	101.6	14.3	7.94	1625	9
D100/L100	100	165.1	19.1	12.7	2845	12
D175/L175	175	215.9	28.6	19.1	3595	18
D225/L225	225	266.7	28.6	19.1	4595	18

STOCKING RESISTANCE VALUES

Series	Value (Codes)
L25	1R0; 2R0; 3R0; 4R0; 5R0; 10R; 25R; 50R; 75R; 100; 150; 250; 500; 1K0; 1K5; 2K0; 2K5; 5K0; 10K; 25K; 50K; 100K
L50	1R0; 2R0; 3R0; 4R0; 5R0; 10R; 25R; 50R; 75R; 100; 150; 250; 500; 1K0; 1K5; 2K0; 2K5; 5K0; 10K; 25K; 50K; 100K
L100	1R0; 2R0; 3R0; 4R0; 5R0; 10R; 25R; 50R; 75R; 100; 150; 250; 500; 1K0; 1K5; 2K0; 2K5; 5K0; 10K; 25K; 50K; 100K
L175	1R0; 5R0; 10R; 25R; 50R; 75R; 100; 150; 250; 500; 1K0
L225	1R0; 4R0; 5R0; 10R; 25R; 50R; 75R; 100; 150; 250; 500; 1K0; 5K0; 10K; 100K
D12	10R; 50R; 100; 500; 1K0; 5K0
D25	1R0; 2R0; 5R0; 10R; 25R; 50R; 75R; 100; 250; 500
D50	1R0; 2R0; 3R0; 5R0; 10R; 25R; 50R; 100; 400; 500; 1K0; 5K0; 10K; 20K
D100	1R0; 2R0; 5R0; 20R; 25R; 50R; 100; 250; 500; 1K0; 5K0
D175	5R0; 10R; 25R; 50R; 100; 250; 500
D225	1R0; 2R0; 3R0; 5R0; 10R; 25R; 50R; 100; 250; 500; 1K0; 5K0

Cat. No.	Power Rating (W)	Resistance Range	Net Price		
			1-24	25-99	100-Up
270 SERIES FIXED POWER RESISTORS					
L25J1R0CodeJE	25	1.0	\$5.99	\$5.09	\$4.19
L25J-Code	25	2.0-5.0	6.17	5.25	4.32
L25J-Code	25	10-750	5.88	4.99	4.11
L25J-Code	25	1K-3K	6.16	5.23	4.31
L25J-Code	25	4K-5K	6.22	5.28	4.36
L25J-Code	25	10K-30K	7.46	6.34	5.22
L25J50K	25	50K	8.01	6.81	5.61
L25J100K	25	100K	8.55	7.26	5.99
L50J1R0	50	1.0	9.23	7.84	6.47
L50J-Code	50	2.0-5.0	8.65	7.36	6.06
L50J-Code	50	10-800	8.49	7.21	5.94
L50J-Code	50	1K-8K	8.41	7.15	5.89

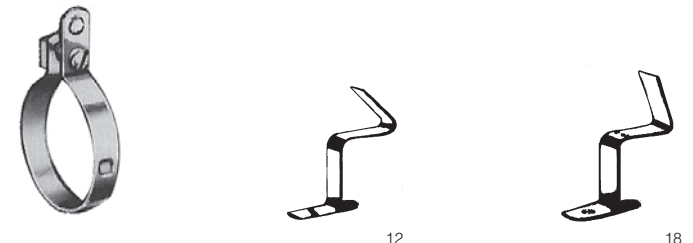
NOTE: RoHS Compliant. For resistance value replace "Code" (ex: 33JCodeE) in Cat. No. with value from Stocking Resistance Value Chart. For other resistance values, please contact your Electro Sonic sales representative.

Cat. No.	Power Rating (W)	Resistance Range	Net Price Each		
			1-24	25-99	100-Up
270 SERIES FIXED POWER RESISTORS					
L50J-Code	50	10K-20K	\$8.97	\$7.62	\$6.29
L50J-Code	50	25K-75K	12.73	10.83	8.91
L50J100K	50	100K	13.01	11.06	9.10
L100J-Code	100	1.0-2.0	12.70	10.80	9.53
L100J-Code	100	3.0-5.0	12.21	10.39	9.17
L100J-Code	100	10-75	11.57	9.84	8.68
L100J-Code	100	100-750	11.31	9.62	8.49
L100J-Code	100	1K-7K5	10.88	9.24	8.16
L100J-Code	100	10K-30K	11.21	9.53	8.41
L100J-50K	100	50K	13.89	11.80	10.41
L100J100K	100	100K	16.51	14.03	12.38
L175J1R0	175	1.0	25.07	22.50	20.06
L175J-Code	175	5.0-75	17.29	15.57	13.83
L175J-Code	175	100-1K	15.62	14.06	12.50
L225J1R0	225	1.0	36.06	32.46	28.85
L225J2R0	225	2.0	25.97	23.37	20.78
L225J-Code	225	3.0-5.0	20.89	18.81	16.71
L225J-Code	225	10-100	18.13	16.32	14.50
L225J-Code	225	150-750	17.29	15.57	13.83
L225J-Code	225	1K-5K	16.71	15.04	13.37
L225J-Code	225	7K5-30K	17.36	15.62	13.89
L225J100K	225	100K	20.31	18.28	16.25

210 SERIES ADJUSTABLE POWER RESISTORS

D12K-Code	12	10-200	9.73	8.27	6.81
D12K-Code	12	250-750	10.07	8.56	7.05
D25K-Code	25	1.0-2.0	9.84	8.36	6.89
D25K-Code	25	5.0-500	9.77	8.31	6.84
D25K-Code	25	750-4K5	10.11	8.59	7.07
D25K-Code	25	5K-10K	10.67	9.08	7.47
D50K-Code	50	1.0-3.0	16.33	13.89	11.43
D50K5R0	50	5.0	16.03	13.63	11.22
D50K-Code	50	10-750	13.98	11.88	9.78
D50K-Code	50	1K-4K	14.62	12.42	10.23
D50K-Code	50	5K-50K	14.93	12.69	10.45
D100K1R0	100	1R0	20.19	18.17	16.15
D100K-Code	100	2.0-10	19.66	17.69	15.72
D100K-Code	100	25-5K	17.67	15.90	14.13
D175K-Code	175	10-50	26.65	23.99	21.32
D175K-Code	175	100-500	22.74	20.47	18.19
D225K1R0	225	1.0	41.71	37.54	33.36
D225K-Code	225	2.0-5.0	35.38	31.85	28.31
D225K-Code	225	10-50	28.43	25.58	22.74
D225K-Code	225	100-40K	24.00	21.60	19.21

NOTE: RoHS Compliant. For resistance value replace "Code" (ex: 33JCodeE) in Cat. No. with value from Stocking Resistance Value Chart. For other resistance values, please contact your Electro Sonic sales representative.



MOUNTING BRACKETS & ADJUSTABLE LUGS

The standard bracket (indicated by stock number without suffix) is cadmium plated steel. An "S" suffix indicates spring steel; a "B" suffix indicates brass. Spring steel brackets are excellent where vibration is involved; brass brackets are employed with non-inductive resistors or for corrosion resistance.

One Standard "Screw Driver Type Adjustable Lug" is supplied with each Dividohm.

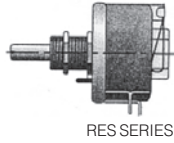
NOTE—MOVING THE LUGS: Lugs should always be loosened completely before moving and only loosened and moved while the current is off, in order to protect the exposed wire from mechanical and/or electrical injury and to protect the operator from dangerous voltages.

Cat. No.	Mtg. Screw Max.	Fits These Resistors	Net Price Per 1000
CAD. PLATED STEEL			
5	6	12 W Brown Devil or Divid.	\$318.02
9	6	25, 50 W Fixed; 25, 50, 75 W Dividohm	292.92
12	10	100 W Fixed or Dividohm	627.68
18	10	175, 225 W Fixed or Divid.	615.91

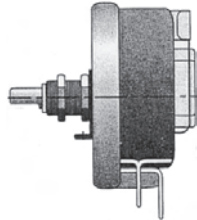
Continued on next page...

ADJUSTABLE LUGS

Cat. No.	Core Diameter	Net Price
SCREW DRIVER TYPE		
2121	9/16"	\$2.04
2125	3/46"	71.35
2133	1-1/8"	2.42



RES SERIES



RHS SERIES
RJS SERIES
RKS SERIES
RLS SERIES

VITREOUS ENAMELED RHEOSTATS (POTENTIOMETERS)

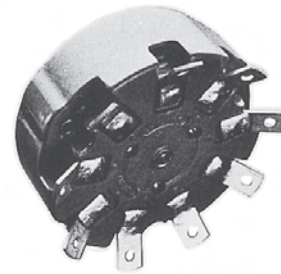
Ohmite rheostats are designed and manufactured to operate smoothly and reliable over long periods of use. All models are constructed with metal and ceramic and are coated with protective vitreous enamel or Ohmicone® silicone ceramic. **FEATURES;** Potentiometer and rheostat applications. Linear windings on stock models; tapered windings available on a special order basis. Windings secured to prevent shifting. Fine graduation of control. Resistance tolerance: ±10%.

STOCKING RESISTANCE VALUES

RES Series Value (Code)	RHS Series Value (Code)	RJS Series Value (Code)	RKS Series Value (Code)	RLS Series Value (Code)
1R (1R0)	1R (1R0)	1R (1R0)	1R (1R0)	1R (1R0)
10R (10R)	3R (3R0)	2R (2R0)	5R (5R0)	5R (5R0)
25R (25R)	15R (15R)	8R (8R0)	10R (10R)	10R (10R)
50R (50R)	25R (25R)	12R (12R)	50R (50R)	15R (15R)
100R (100)	50R (50R)	35R (35R)	100R (100)	25R (25R)
250R (250)	75R (75R)	50R (50R)	200R (200)	50R (50R)
500R (500)	100R (100)	125R (125)	500R (500)	75R (75R)
1K (1K0)	125R (125)	150R (150)	1K (1K0)	100R (100)
2K5 (2K5)	715R (175)	225R (225)	5K (5K0)	500R (500)
5K (5K0)	250R (250)	300R (300)	10K (10K)	1K25 (1K25)
10K (10K)	500R (500)	500R (500)		4K5 (4K5)
	750R (750)	800R (800)		10K (10K)
	1K (1K0)	1K (1K0)		
	1K5 (1K5)	2K5 (2K5)		
	2K5 (2K5)	5K5 (5K0)		
	5K (5K0)	10K (10K)		
	10K (10K)			

Cat. No.	Power Rating W	Resistance Range	Recommended Knob	Diameter mm	Net Price	
					1-9	10-49
RES(Code)	12.5	1.0-8.0	5151	22.23	\$28.36	\$25.53
RES(Code)	12.5	10-350	5151	22.23	26.88	24.20
RES(Code)	12.5	500-1.5K	5151	22.23	27.60	24.84
RES(Code)	12.5	2.5K-5.0K	5151	22.23	29.38	26.43
RES(Code)	12.5	10K	5151	22.23	31.73	28.57
RHS(Code)	25	1.0-8.0	5150	39.62	31.60	28.44
RHS(Code)	25	10-750	5150	39.62	30.20	27.18
RHS(Code)	25	1K-7K5	5150	39.62	31.24	28.12
RHS(Code)	25	10K-15K	5150	39.62	33.89	30.50
RJS(Code)	50	1.0-8.0	5150	58.67	40.86	36.77
RJS(Code)	50	12-150	5150	58.67	35.76	32.17
RJS(Code)	50	225-800	5150	58.67	34.35	30.92
RJS(Code)	50	1K-10K	5150	58.67	37.55	33.80
RKS(Code)	100	1.0-5.0	5150	79.38	64.10	57.69
RKS(Code)	100	7.5-750	5150	79.38	51.02	45.91
RKS(Code)	100	1K-7K5	5150	79.38	58.29	52.47
RKS(Code)	100	10K	5150	79.38	63.11	56.80
RLS(Code)	150	1.0-7.5	5150	101.60	78.04	70.24
RLS(Code)	150	10-500	5150	101.60	64.49	58.05
RLS(Code)	150	750-7K5	5150	101.60	69.30	62.37
RLS(Code)	150	10K	5150	101.60	79.99	72.00

NOTE: RoHS Compliant. For resistance value replace "Code" (ex: 33JCodeE) in Cat. No. with value from Stocking Resistance Value Chart.



TYPICAL CERAMIC STYLE

POWER TAP SWITCHES, HIGH CURRENT, NON SHORTING TYPE

FEATURES:

- "Slow-breaking, Quick-make" action proved best for switching AC current.
- Non-shorting type disconnects previous circuit before establishing contact for succeeding tap.
- Ceramic and metal construction provides resistance to arcing, burning and charring.

Model	Diam.	Shaft Diam.	Recommended Knob
111	1-3/4"	1/4"	5150 or 5116
312	3-5/16"	1/4"	5109 or 5110
412	4-3/16"	1/4"	5111

Cat. No.	Current	Voltage	No. Taps	Total Rotation	Net Price
111-4	15A	125V	4	90	\$30.07
111-5	15A	125V	5	120	31.77
111-8	15A	125V	8	210	35.97
111-10	15A	125V	10	270	38.93
312-6	30A	300V	6	150	81.39
312-12	30A	300V	12	330	95.83
412-8	50A	300V	8	210	101.08
412-12	50A	300V	12	330	118.14



FINGER-GRIP WITH POINTER



HANDWHEEL WITHOUT POINTER



BAR KNOB, 49°

OHMITE BLACK BAKELITE KNOBS

Knobs are made of black bakelite and fasten by means of two screw-driver slotted set screws (except No. 5102, 5103, 5150, and 5151 which have one screw and 5115 which requires a tapped hole and a driving pin). Indicating lines are white filled; pointers are bright plated. Any knob can be used with any model rheostat having the corresponding shaft diameter. Knob 5116 is recommended for general use where a small bar type knob is wanted. Knobs must be ordered separately for rheostats and tap switches, when desired.

Cat. No.	Description	Knob Dia.	Shaft Hole Dia.	Net Price
5102	Bar Knob 2 1/4" Long	—	1/4"	\$21.57
5103	Bar Knob 1 1/4" Long	—	1/4"	5.60
5104	Handwheel with Pointer	3 1/4"	3/8"	26.56
5105	Handwheel without Pointer	3 1/4"	3/8"	23.40
5106	Handwheel with Pointer	3 1/4"	1/4"	30.91
5109	Finger-Grip with Pointer	1 1/2"	1/4"	27.74
5111	Finger-Grip with Pointer	2 3/8"	1/4"	28.68
5116	Bar Knob 1 1/2"	—	1/4"	10.30
5150	Finger-Grip	1 1/2"	1/4"	8.27
5151	Finger-Grip	3/4"	1/8"	6.00

¹Recommended for Rheostat Models P, N, R, T, U.

²Requires pin and tapped hole in shaft.

³Recommended for Rheostat Models H, J, G, K, L.

⁴Recommended for Rheostat Models C, E.

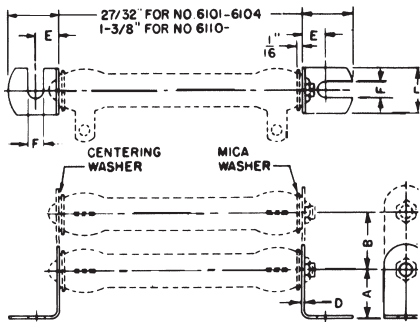


RHEOSTAT DIALS

Handsomely finished dials for Ohmite rheostats and other apparatus, feature bright figures and lines on etched black background. Divisions marked from 0 to 100 indicate approximate percentage of rheostat resistance in circuit.

Cat. No.	For Rheostat	Dial Dia.	Recom'd. Knobs†	Net Price
5007	C, E	1 1/4"	5151	\$1.75
5000	H, J, G, K, L	2 3/16"	5150, 5116, 5103	1.75
5001	P, N, R, U	5 1/2"	5104, 5106	11.42

†See Black Bakelite Knobs elsewhere on this page.



SLOTTED BRACKET TYPE

THRU-BOLTS AND MOUNTING BRACKETS

Thru-bolts with centering and mica insulation washers are used to mount tubular resistors perpendicularly to a panel, up to 1/4" thick. The sturdy plated steel brackets mount tubular resistors via thru-bolts and centering washers with mica insulation washers. Slotted brackets, one end slot and one side slot are available.

DIMENSIONS FOR SLOTTED BRACKET

Cat. No. Type	A	B	C	D	E	F	J
6101	29/32	1 9/16	3/4	1/32	7/16	1/4	1 1/2

METAL CENTERING WASHERS

Cat. No.	Core		Washer		For Max. Screw Size	Net Price
	O.D. of Core	I.D. of Core	Dia. of Washer	Dia. of Hole		
6000	9/16"	5/16"	9/16"	.190	#10	\$28.63
6001	3/4"	1/2"	3/4"	.190	#10	34.63
6003	1 1/8"	3/4"	1 1/8"	.250	1/4"	43.71

NOTE: Sold in pkg of 100.

THRU-BOLTS

Cat. No.	Watt Size	Core Size O.D. x I.D. x L (Inches)	Bolt Size		Net Price
			No.	Length (Inches)	
7PA50	50	9/16 x 5/16 x 4	No. 10	4 3/4	\$5.19
7PA100	100	3/4 x 1/2 x 6 1/2	No. 10	7 1/16	6.24
7PA160	175	1 1/8 x 3/4 x 8 1/2	1/4"	9 1/2	10.44
7PA200	225	1 1/8 x 3/4 x 10 1/2	1/4"	11 1/2	10.77

RHEOSTAT TANDEM COUPLING KITS

Ohmite coupling kits permit tandem mounting of two rheostat units. A coupling fastens to the shaft of the back unit; projections on the coupling engage the recesses in the driving hub of the front unit.

Each kit consists of a steel "U" frame, a coupling with set screw, mica washer, allen wrench and instructions.

OHMITE RHEOSTAT TANDEM COUPLING KITS

Cat. No.	Front Mount Models	Rear Mount Models	Max. Panel Thickness	Weight	Net Price
6532	H, J	H, J, G, K, L	5/32"	.17 lb.	\$45.94
6533	G, K, L	H, J, G, K, L	1/8"	.41 lb.	48.57

*Using No. 5150 Knob

GIVING YOU WHAT YOU WANT!



- SPEED
- PRODUCTS
- INFORMATION
- PROCUREMENT
- LINKS

IT'S ALL HERE... www.e-sonic.com