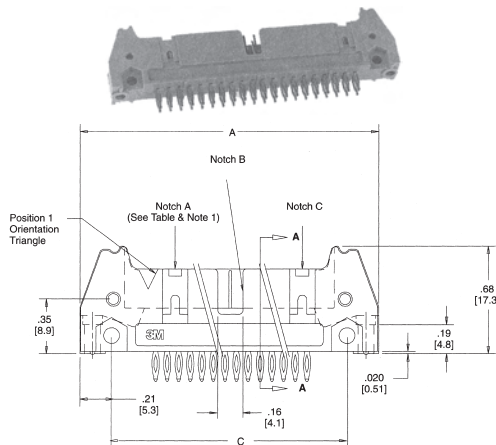


Cat. No.	No. of Contacts	Latches	Dim. A	Dim. C	Net Price
<b>.112" (2.84mm) SOLDER TAILS FOR .062 THICK PC BOARDS, 4-WALL, STRAIGHT PINS</b>					
N3793-6202RB	10	Short	1.26 (32.1)	.865 (21.97)	<b>\$2.45</b>
N3793-6302RB	10	Long	1.26 (32.1)	.865 (21.97)	<b>2.45</b>
N3428-6202RB	20	Short	1.76 (44.8)	1.365 (34.67)	<b>4.45</b>
N3428-6302RB	20	Long	1.76 (44.8)	1.365 (34.67)	<b>4.45</b>
N3429-6202RB	26	Short	2.06 (52.4)	1.665 (42.29)	<b>5.66</b>
N3429-6302RB	26	Long	2.06 (52.4)	1.665 (42.29)	<b>5.66</b>
N3431-6202RB	34	Short	2.46 (62.6)	2.065 (52.45)	<b>5.84</b>
N3431-6302RB	34	Long	2.46 (62.6)	2.065 (52.45)	<b>5.84</b>
N3432-6202RB	40	Short	2.76 (70.2)	2.365 (60.07)	<b>6.83</b>
N3432-6302RB	40	Long	2.76 (70.2)	2.365 (60.07)	<b>6.83</b>
N3433-6202RB	50	Short	3.26 (82.9)	2.865 (72.77)	<b>8.40</b>
N3433-6302RB	50	Long	3.26 (82.9)	2.865 (72.77)	<b>8.40</b>

Cat. No.	No. of Contacts	Latches	Dim. A	Dim. C	Net Price
<b>.112" (2.84mm) SOLDER TAILS FOR .062 THICK PC BOARDS, 4-WALL, RIGHT ANGLE PINS</b>					
N3793-5202RB	10	Short	1.26 (32.1)	.865 (21.97)	<b>2.45</b>
N3793-5302RB	10	Long	1.26 (32.1)	.865 (21.97)	<b>2.45</b>
N3428-5202RB	20	Short	1.76 (44.8)	1.365 (34.67)	<b>4.45</b>
N3428-5302RB	20	Long	1.76 (44.8)	1.365 (34.67)	<b>4.45</b>
N3429-5202RB	26	Short	2.06 (52.4)	1.665 (42.29)	<b>5.66</b>
N3429-5602RB	26	Long	2.06 (52.4)	1.665 (42.29)	<b>5.66</b>
N3431-5202RB	34	Short	2.46 (62.6)	2.065 (52.45)	<b>5.84</b>
N3431-5302RB	34	Long	2.46 (62.6)	2.065 (52.45)	<b>5.84</b>
N3432-5202RB	40	Short	2.76 (70.2)	2.365 (60.07)	<b>6.83</b>
N3432-5302RB	40	Long	2.76 (70.2)	2.365 (60.07)	<b>6.83</b>
N3433-5202RB	50	Short	3.26 (82.9)	2.865 (72.77)	<b>8.40</b>
N3433-5302RB	50	Long	3.26 (82.9)	2.865 (72.77)	<b>8.40</b>

NOTE: 3-wall and additional pin quantities, and longer tail options available.

## 3M .100" x .100" LATCH/EJECTOR SHROUDED HEADERS



### 3000 SERIES LATCH/EJECTOR HEADERS

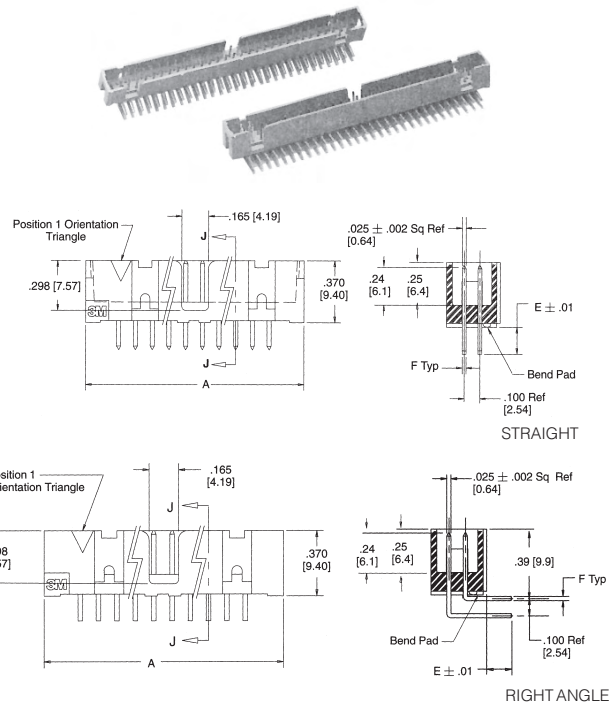
**Solder tail (RoHS compliant Q3-05): MATERIALS:** Insulator: Grey glass-filled polyester UL94V-0 rated. Contacts: Phosphor bronze, plated 30µm gold over 100µm nickel plate. Pressfit tails 200µm tin lead. **OPERATING TEMPERATURE:** -55°C to +105°C, process rated to 260°C, single pass per J-STD-020C. **CURRENT RATING:** 1 amp.

Cat. No.	No. of Contacts	Latches	Dim. A	Dim. C	Net Price
<b>.175" (4.44mm) PRESSFIT TAILS FOR .062 THICK PC BOARDS, 4-WALL, STRAIGHT PINS</b>					
3793-650T02TC	10	Short	1.26 (32.1)	.865 (21.97)	<b>\$3.91</b>
3793-660T02TC	10	Long	1.26 (32.1)	.865 (21.97)	<b>3.91</b>
3428-660T02TC	20	Long	1.76 (44.8)	1.365 (34.67)	<b>7.38</b>
3429-650T02TC	26	Short	2.06 (52.4)	1.665 (42.29)	<b>10.39</b>
3429-660T02TC	26	Long	2.06 (52.4)	1.665 (42.29)	<b>10.39</b>
3431-660T02TC	34	Long	2.46 (62.6)	2.065 (52.45)	<b>10.96</b>
3432-650T02TC	40	Short	2.76 (70.2)	2.365 (60.07)	<b>12.84</b>
3432-660T02TC	40	Long	2.76 (70.2)	2.365 (60.07)	<b>11.25</b>
3433-650T02TC	50	Short	3.26 (82.9)	2.865 (72.77)	<b>15.92</b>
3433-660T02TC	50	Long	3.26 (82.9)	2.865 (72.77)	<b>15.92</b>

NOTE: Additional pin quantities available.

## 3M .100" x .100" LOW PROFILE BOX HEADERS

3M™ N2500 and 303 series low profile headers are designed to save space on and allow close stacking between PC boards. Available in 6 thru 64 pin quantities and mate to all .100 x 100-inch polarized wiremount sockets. Mating charts and detailed technical drawings available on request.



### ORDERING INFORMATION

X25XX-X0XXXX

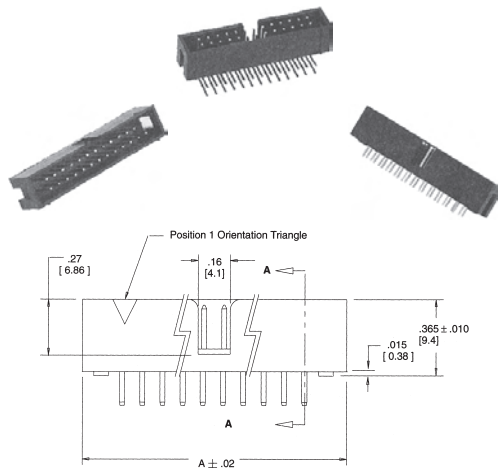
Blank = Standard  
N = High Temperature  
Pin Quantity: (See Table 1)  
Bend Pad Option:  
5 = Right angle  
6 = Straight pin product with bend pad in high temp or normal plastics  
7 = Straight pin product w/o bend pad in high temp only  
Tail:  
02 = Solder Tails for .062 (1.57) Thick Board.  
02 = Kinest Solder Tails for .062 (1.57) Thick Board.  
03 = Solder Tails for .094 to .125 (2.39 to 3.18) Thick Board.  
05 = Wrap Tails for up to 3 Levels of Wire Wrap. (Normal temp only)  
Mating Plating Thickness:  
Solder Tail Versions  
UG = 15 µm (0.38 µm)  
UB = 30 µm (0.76 µm)  
Wrap Tail Versions  
EB = 30 µm (0.76 µm) (Normal temp only)

### N2500 SERIES SHROUDED HEADERS

Available in 10 thru 50 pins. Dual slot and Centre bump polarization for broader compatibility. High-temp insulation suitable for lead-free processing. Optional snap-in latches and polarizing post. Optional retainer clip for locking sockets in place in vibration-prone environments. **MATERIALS:** Insulator: Black glass-filled polyester UL94V-0 rated. Contacts: Copper alloy, plated 30µm gold over 100µm nickel plate >Tails 200µm matte tin. **OPERATING TEMPERATURE:** -55°C to +105°C, process rated to 260°C, single pass per J-STD-020C. **CURRENT RATING:** 1 amp.

Cat. No.	No. of Contacts	Dim. A	Net Price
<b>.112" (2.84mm) SOLDER TAILS FOR .062 THICK PC BOARDS, 4-WALL, STRAIGHT PINS</b>			
N2510-6002RB	10	.788 (20.02)	<b>\$2.41</b>
N2520-6002RB	20	1.288 (32.72)	<b>2.88</b>
N2526-6002RB	26	1.588 (40.34)	<b>3.10</b>
N2534-6002RB	34	1.988 (50.50)	<b>3.72</b>
N2540-6002RB	40	2.288 (58.12)	<b>3.98</b>
N2550-6002RB	50	2.788 (70.82)	<b>4.93</b>
<b>.112" (2.84mm) SOLDER TAILS FOR .062 THICK PC BOARDS, 4-WALL, RIGHT ANGLE PINS</b>			
N2510-5002RB	10	.788 (20.02)	<b>2.67</b>
N2520-5002RB	20	1.288 (32.72)	<b>3.21</b>
N2526-5002RB	26	1.588 (40.34)	<b>3.40</b>
N2534-5002RB	34	1.988 (50.50)	<b>4.05</b>
N2540-5002RB	40	2.228 (56.12)	<b>4.38</b>
N2550-5002RB	50	2.788 (70.82)	<b>5.40</b>

NOTE: Additional pin quantities and longer tail options available.



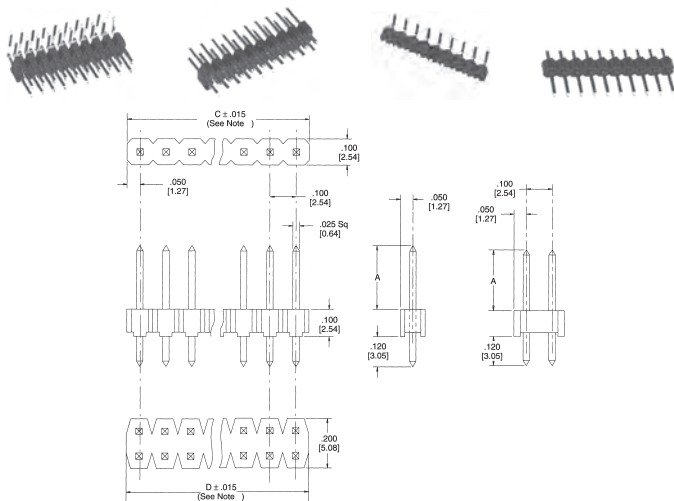
### 303 ECONOMY SERIES BOX HEADERS

Low cost, economy headers. Available in 10 thru 50 pins. Military centre slot polarization. End windows. All over gold flash. Insulator body .365 (9.4) high, .330 (8.38) wide. Length — Dim A below. **MATERIALS:** Insulator: Black glass-filled polyester UL94V-0 rated. Contacts: Brass, plated gold flash over 30µ" nickel. **OPERATING TEMPERATURE:** -55°C to +105°C. **CURRENT RATING:** 1 amp.

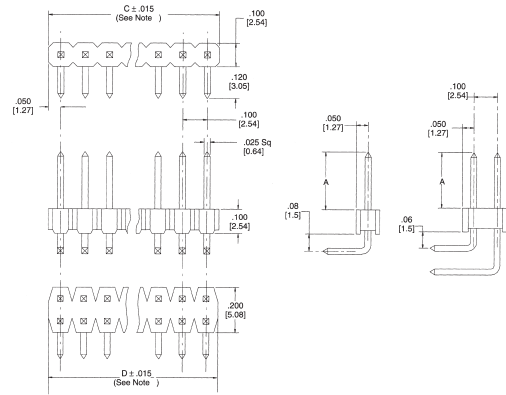
Cat. No.	No. of Contacts	Dim. A	Net Price
<b>.110" (2.79mm) SOLDER TAILS FOR .062 THICK PC BOARDS, 4-WALL, STRAIGHT PINS</b>			
30310-6002HB	10	.800 (20.32)	\$ .58
30320-6002HB	20	1.300 (32.02)	.72
30326-6002HB	26	1.600 (40.64)	.87
30334-6002HB	34	2.000 (50.80)	1.01
30340-6002HB	40	2.300 (58.42)	1.12
30350-6002HB	50	2.800 (71.12)	1.34
<b>.110" (2.79mm) SOLDER TAILS FOR .062 THICK PC BOARDS, 4-WALL, RIGHT ANGLE PINS</b>			
30310-5002HB	10	.800 (20.32)	.69
30320-5002HB	20	1.300 (32.02)	.83
30326-5002HB	26	1.600 (40.64)	.98
30334-5002HB	34	2.000 (50.80)	1.12
30340-5002HB	40	2.300 (58.42)	1.27
30350-5002HB	50	2.800 (71.12)	1.48

NOTE: Additional pin quantity available.

## 3M .100" × .100" PIN STRIP HEADERS



STRAIGHT



RIGHT ANGLE

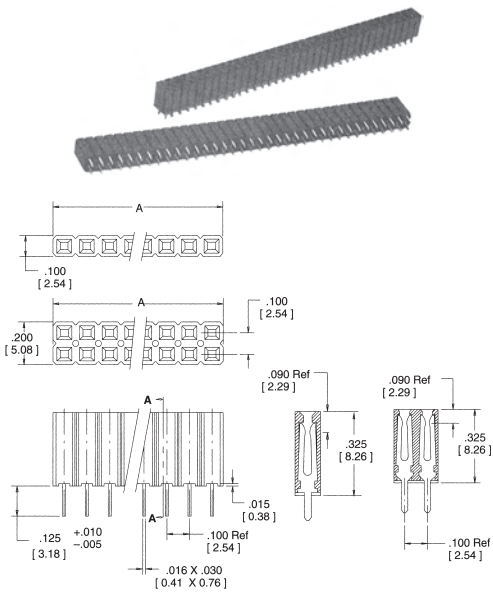
### 2300 SERIES PIN STRIPS

3M™ 2300 series pin strip headers are available in one and two-row, straight and right-angle solder tails, two mating lengths, and a variety of plating options. Tapered tip does not cut the socket wipe during insertion. Board retention feature available. Side-by-side and end-to-end stackable. Sold in full sticks—40 contacts for single-row and 80 for double-row. Breakable to smaller lengths—contact Electro Sonic for pricing on these "value-add" items. **MATERIAL:** Insulator: Black glass-filled polyester UL94V-0 rated. Contacts: Copper alloy, with tin or gold plating. Tails 100µ" tin lead. **OPERATING TEMPERATURE:** -55°C to +105°C. **CURRENT RATING:** 3 amp.

Cat. No.	No. of Contacts	Plating	Net Price
<b>SINGLE ROW, .230" MATE, .120" STRAIGHT SOLDER TAILS</b>			
2340-6111TB	40	30µ" gold/50µ" nickel	\$1.96
2340-6111TG	40	10µ" gold/50µ" nickel	1.34
<b>DUAL ROW, .230" MATE, .120" STRAIGHT SOLDER TAILS</b>			
2380-6121TB	40	30µ" gold/50µ" nickel	3.87
2380-6121TG	40	10µ" gold/50µ" nickel	2.71
2380-6121TN	40	Gold flash/30µ" nickel	1.95
<b>SINGLE ROW, .230" MATE, .120" RIGHT ANGLE SOLDER TAILS</b>			
2340-5111TB	40	30µ" gold/50µ" nickel	2.57
2340-5111TG	40	10µ" gold/50µ" nickel	1.74
<b>DUAL ROW, .230" MATE, .120" RIGHT ANGLE SOLDER TAILS</b>			
2380-5121TB	40	30µ" gold/50µ" nickel	5.83
2380-5121TG	40	10µ" gold/50µ" nickel	3.94

NOTE: Pin strips retention tails also available. Breakable to smaller lengths—contact Electro Sonic for pricing on these "value-add" items.

## 3M BOARDMOUNT SOCKETS



Continued on next page....