

### PRESS-FIT VERTICAL RECEPTACLES

Designed for use as I/O ports in backplanes, mid-planes, or any application where solderless placement of interconnects is preferred. Eye of the needle contact design. Rugged die-cast metal lockstand. **MATERIALS:** Insulator is black glass reinforced polyester UL94V-0 rated. Body is cast zinc. Contacts are copper alloy with 30µ" gold plating over 80µ" nickel. Shroud and latch hook are steel with nickel plating. **TEMPERATURE RATING:** -20°C to +85°C. **CURRENT RATING:** .5 amps.

Cat. No.	No. of Positions	Lockstand Thread	PCB Hole	Dim. C	Net Price
10214-R21CS	14	M2.5	Cu/pre flux	1.16 (29.5)	\$15.11
10226-R21CS	26	M2.5	Cu/pre flux	1.46 (37.2)	15.20
10236-R21CS	36	M2.5	Cu/pre flux	1.71 (43.5)	15.99
10268-R21CS	68	M2.5	Cu/pre flux	2.51 (63.8)	18.45

NOTE: Also available in 40, 50, and 80 position.

# electro sonic

Electro Sonic  
appreciates your business

1-800-56-SONIC

www.e-sonic.com

info@e-sonic.com

## 3M I/O MINI DELTA RIBBON (MDR) BOARDMOUNT PLUGS



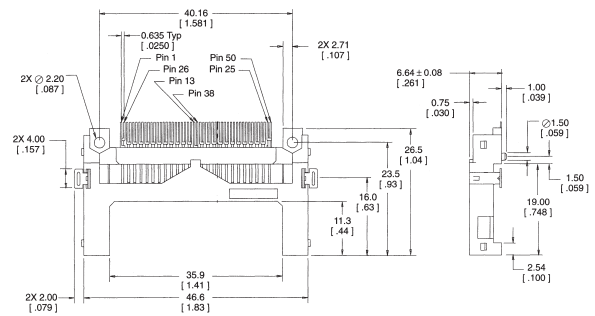
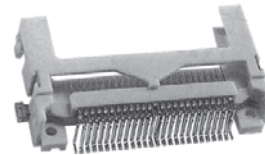
### THRU-HOLE, RIGHT-ANGLE—SHIELDED

Rugged die cast metal lockstand. Screw or ground lock PCB lockdown. Normal and reverse "D" shell options for board to board flexibility. IEEE 1284 interface (36pin). Ribbon type contact. **MATERIALS:** Insulator is black glass reinforced polyester UL94V-0 rated. Body is zinc alloy with nickel plating. Contacts are copper alloy with 30µ" gold plating over 80µ" nickel. Ground plate is copper alloy with nickel plating. **TEMPERATURE RATING:** -20°C to +85°C. **CURRENT RATING:** 1 amp.

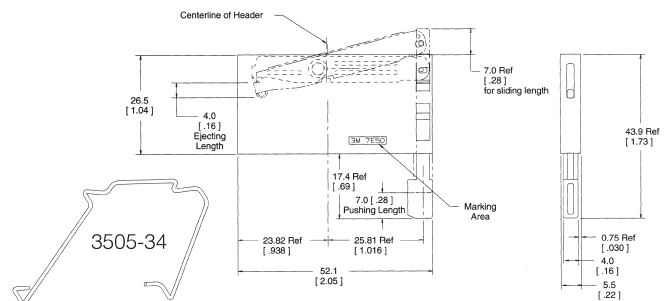
Cat. No.	No. of Positions	Mounting	Panel/Board Retention	Net Price
10120-52B2VC	20	Normal	M2.5/ground lock	\$23.73
10126-52B2VC	26	Normal	M2.5/ground lock	24.60
10136-52B2VC	36	Normal	M2.5/ground lock	25.51
10150-52E2VC	50	Normal	M2.5/ground lock	26.23

## 3M COMPACT FLASH™

3M offers a full line of Type 1 and Type II components and accessories for Compact Flash™ cards—headers, ejectors, and adapters—a total interconnect solution from a single source. All 3M CF interconnects meet CFA standards.



N7E50-7516VU-20



D7E50-7316-03

Continued on next page....

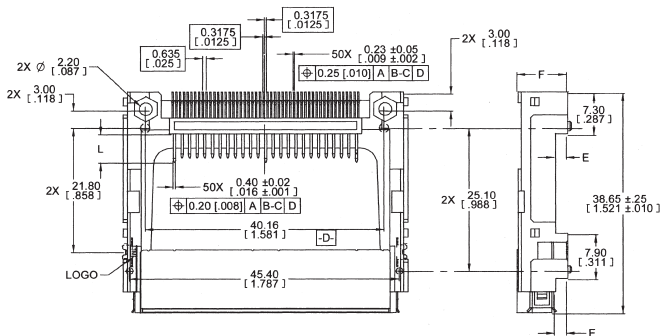
## TYPE I SMT CARD HEADER

Available in normal and inverse polarization. Surface mount. Single row solder tails, .635mm spacing. 1.64mm standoff. Screw-on mounting in addition to SMT solder tabs for added stability. Ejectors and retainer (use of one excludes use of other) clips sold separately. **MATERIALS:** Insulator: beige liquid crystal polyester UL94V-0 rated. Contacts: copper alloy, plated 25µ" gold over 100µ" nickel plate. **OPERATING TEMPERATURE:** -55°C to +85°C, max 235°C with 90 sec. over 215°C. **CURRENT RATING:** 0.5 amps.

Cat. No.	Polarization	Net Price
<b>CFI HEADER</b>		
N7E50-7516VU-20	Standard	\$10.86
N7E50-A516VU-20	Inverse	10.86
<b>RIGHT-BUTTON EJECTOR FOR CFI HEADER ABOVE</b>		
D7E50-7316-03*	—	5.54
<b>CF CARD RETAINER CLIP FOR CFI HEADER ABOVE</b>		
3505-34	—	2.86

\* Latching ejectors also available.

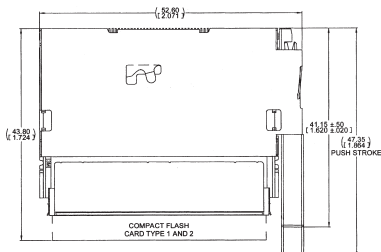
3M Compact Flash is a registered trademark of SanDisk Corporation.  
Used under license in Canada.



## TYPE II SMT CARD HEADER

Mate with both CFI and CFII memory cards. Surface mount. Available in normal and inverse polarization, long or short guide rails. Standoffs in 0.0 or 2.0 mm. Two plating options. Screw-on mounting in addition to SMT solder tabs for added stability. Ejectors sold separately (short rails do not accept an ejector). Meets CFA standards. **MATERIALS:** Insulator: Beige Hi-Temp thermoplastic UL94V-0 rated. Contacts: Copper alloy plated gold over 80µ" nickel plate. Tails are tin lead. **OPERATING TEMPERATURE:** -55°C to +85°C, max 235°C with 90 sec. over 215°C. **CURRENT RATING:** 0.5 amp.

Cat. No.	Polarization	Board Standoff	Plating	Net Price
N7E50-Q516TC-40	Standard	None	20µ" PdNi	\$3.73
N7E50-Q516TC-50	Standard	2.0mm	20µ" PdNi	5.61
N7E50-M516TC-40	Standard	None	25µ" PdNi	5.79
N7E50-M516TC-50	Standard	2.0mm	25µ" PdNi	5.79
N7E50-R516TC-50	Inverse	2.0mm	20µ" PdNi	5.61
N7E50-R516TC-50	Inverse	2.0mm	25µ" PdNi	5.61



RIGHT-BUTTON EJECTOR FOR ABOVE CFII HEADER/LEFT-BUTTON EJECTOR FOR INVERSE CFII HEADER

Cat. No.	Net Price
7E50-B316-04	\$1.09

NOTE: Latching, right-button, and dual-push ejectors also available.

3M is a registered trademark of 3M. Used under license in Canada.

## GIVING YOU WHAT YOU WANT!



- SPEED
- PRODUCTS
- INFORMATION
- PROCUREMENT
- LINKS

IT'S ALL HERE... [www.e-sonic.com](http://www.e-sonic.com)