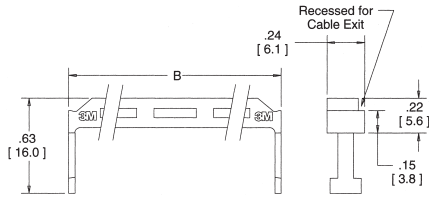
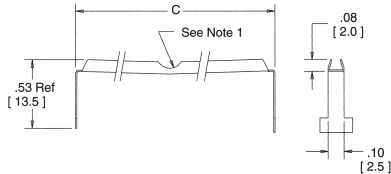


3M ACCESSORIES FOR IDC WIREMOUNT SOCKETS



3000 SERIES PLASTIC STRAIN RELIEFS

Cat. No.	Dim. B	For Use With	Net Price
3448-3010	.68 (17.3)	3473-6000, 3473-6600	\$.44
3448-3014	.88 (22.4)	3385-6000, 3385-6600	.44
3448-3016	.98 (25.0)	3452-6000, 3452-6600	.44
3448-3020	1.18 (30.0)	3421-6000, 3421-6600	.44
3448-3024	1.38 (35.1)	3626-6000, 3626-6600	.44
3448-3026	1.48 (37.6)	3399-6000, 3399-6600	.44
3448-3030	1.68 (42.7)	3419-6000, 3419-6600	.44
3448-3034	1.88 (50.3)	3414-6000, 3414-6600	.44
3448-3040	2.18 (55.4)	3417-6000, 3417-6600	.44
3448-3050	2.68 (68.1)	3425-6000, 3425-6600	.44
3448-3060	3.18 (80.8)	3334-6000, 3334-6600	.44

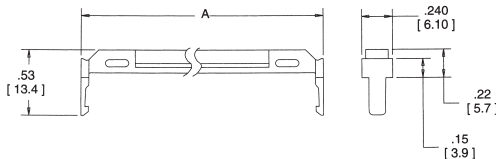


3000 SERIES METAL STRAIN RELIEFS

MATERIAL: Stainless steel passivated.

Cat. No.	Dim. C	For Use With	Net Price
3448-2010	.62 (15.7)	3473-6000, 3473-6600	\$1.63
3448-2014	.82 (20.8)	3385-6000, 3385-6600	1.63
3448-2016	.92 (23.4)	3452-6000, 3452-6600	1.63
3448-2020	1.12 (28.4)	3421-6000, 3421-6600	1.63
3448-2024	1.32 (33.5)	3626-6000, 3626-6600	1.63
3448-2026	1.42 (36.1)	3399-6000, 3399-6600	1.63
3448-2030	1.62 (41.1)	3419-6000, 3419-6600	1.63
3448-2034	1.82 (46.2)	3414-6000, 3414-6600	1.63
3448-2040	2.12 (53.8)	3417-6000, 3417-6600	1.63
3448-2050	2.62 (66.5)	3425-6000, 3425-6600	1.63
3448-2060	3.12 (79.2)	3334-6000, 3334-6600	1.63

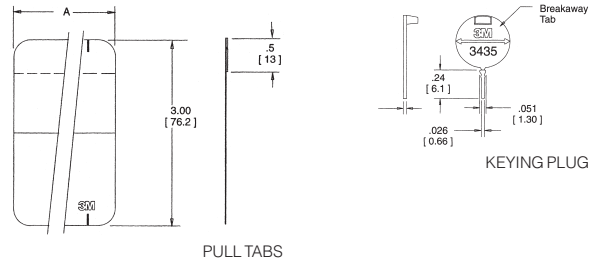
NOTE: The notch is non-existent on 40 position and larger.



891 SERIES PLASTIC STRAIN RELIEFS

MATERIAL: Glass filled thermoplastic, UL94V-0 rated, grey.

Cat. No.	Dim. C	For Use With	Net Price
3448-89110	.68 (17.3)	89110-0001, 89110-0101	\$.29
3448-89114	.88 (22.4)	89114-0001, 89114-0101	.29
3448-89116	.98 (25.0)	89116-0001, 89116-0101	.29
3448-89120	1.18 (30.0)	89120-0001, 89120-0101	.29
3448-89124	1.38 (35.1)	89124-0001, 89124-0101	.29
3448-89126	1.48 (37.6)	89126-0001, 89126-0101	.29
3448-89130	1.68 (42.7)	89130-0001, 89130-0101	.29
3448-89134	1.88 (47.7)	89134-0001, 89134-0101	.29
3448-89136	1.98 (50.3)	89136-0001, 89136-0101	.29
3448-89140	2.18 (55.4)	89140-0001, 89140-0101	.29
3448-89144	2.38 (60.5)	89144-0001, 89144-0101	.29
3448-89150	2.68 (68.1)	89150-0001, 89150-0101	.29
3448-89160	3.18 (80.0)	89160-0001, 89160-0101	.29



PULL TABS

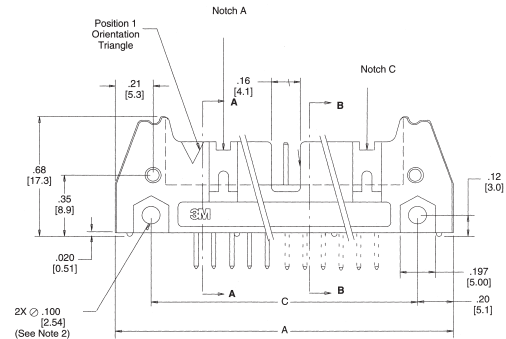
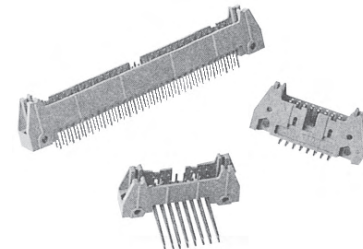
Matte finish for ink labeling. MATERIAL: Polyester. Thickness: .005 ±.001, double-sided adhesive tape with liner.

Cat. No.	Dim. A	No. of Contacts	Net Price
3000 SERIES			
3490-1	.50 (12.7)	10-16	\$.36
3490-2	1.00 (25.4)	20-30	.44
3490-3	1.50 (38.1)	34-36	.51
3490-4	2.00 (50.8)	40-44	.65
3490-5	2.50 (63.5)	50	.72
3490-7	3.10 (78.7)	60	.98
891 SERIES			
3490-89110	.50 (12.7)	10-20	\$.25
3490-89124	1.00 (25.4)	24-36	.36
3490-89140	1.25 (31.7)	40-40	.40

KEYING PLUG

Cat. No.	Net Price
3435-0	\$.14

3M .100" × .100" LATCH/EJECTOR SHROUDED HEADERS



3000 SERIES LATCH/EJECTOR HEADERS

Available in 10-64 pin counts. Mates to all .100" × .100" polarized wiremount sockets. Latch/ejectors to lock mating socket in place and facilitate disconnect capability. Military (with snap-in polarizing key) and Centre bump polarization. Mounting holes for securing to the PCB. Optional polarizing post. Solder and compliant pins available. Mating charts and detail technical drawings available on request. **Solder tail (RoHS compliant): MATERIALS:** Insulator: Black glass-filled polyester UL94V-0 rated. Contacts: Copper alloy, plated 30µ" or 15µ" gold over 100µ" nickel plate. Solder tails 200µ" matte tin. **OPERATING TEMPERATURE:** -55°C to +105°C, process rated to 260°C, single pass per J-STD-020C. **CURRENT RATING:** 1 amp.

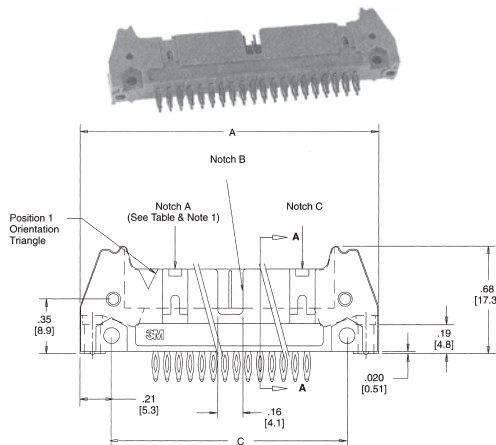
Continued on next page...

Cat. No.	No. of Contacts	Latches	Dim. A	Dim. C	Net Price
.112" (2.84mm) SOLDER TAILS FOR .062 THICK PC BOARDS, 4-WALL, STRAIGHT PINS					
N3793-6202RB	10	Short	1.26 (32.1)	.865 (21.97)	\$2.45
N3793-6302RB	10	Long	1.26 (32.1)	.865 (21.97)	2.45
N3428-6202RB	20	Short	1.76 (44.8)	1.365 (34.67)	4.45
N3428-6302RB	20	Long	1.76 (44.8)	1.365 (34.67)	4.45
N3429-6202RB	26	Short	2.06 (52.4)	1.665 (42.29)	5.66
N3429-6302RB	26	Long	2.06 (52.4)	1.665 (42.29)	5.66
N3431-6202RB	34	Short	2.46 (62.6)	2.065 (52.45)	5.84
N3431-6302RB	34	Long	2.46 (62.6)	2.065 (52.45)	5.84
N3432-6202RB	40	Short	2.76 (70.2)	2.365 (60.07)	6.83
N3432-6302RB	40	Long	2.76 (70.2)	2.365 (60.07)	6.83
N3433-6202RB	50	Short	3.26 (82.9)	2.865 (72.77)	8.40
N3433-6302RB	50	Long	3.26 (82.9)	2.865 (72.77)	8.40

Cat. No.	No. of Contacts	Latches	Dim. A	Dim. C	Net Price
.112" (2.84mm) SOLDER TAILS FOR .062 THICK PC BOARDS, 4-WALL, RIGHT ANGLE PINS					
N3793-5202RB	10	Short	1.26 (32.1)	.865 (21.97)	2.45
N3793-5302RB	10	Long	1.26 (32.1)	.865 (21.97)	2.45
N3428-5202RB	20	Short	1.76 (44.8)	1.365 (34.67)	4.45
N3428-5302RB	20	Long	1.76 (44.8)	1.365 (34.67)	4.45
N3429-5202RB	26	Short	2.06 (52.4)	1.665 (42.29)	5.66
N3429-5602RB	26	Long	2.06 (52.4)	1.665 (42.29)	5.66
N3431-5202RB	34	Short	2.46 (62.6)	2.065 (52.45)	5.84
N3431-5302RB	34	Long	2.46 (62.6)	2.065 (52.45)	5.84
N3432-5202RB	40	Short	2.76 (70.2)	2.365 (60.07)	6.83
N3432-5302RB	40	Long	2.76 (70.2)	2.365 (60.07)	6.83
N3433-5202RB	50	Short	3.26 (82.9)	2.865 (72.77)	8.40
N3433-5302RB	50	Long	3.26 (82.9)	2.865 (72.77)	8.40

NOTE: 3-wall and additional pin quantities, and longer tail options available.

3M .100" x .100" LATCH/EJECTOR SHROUDED HEADERS



3000 SERIES LATCH/EJECTOR HEADERS

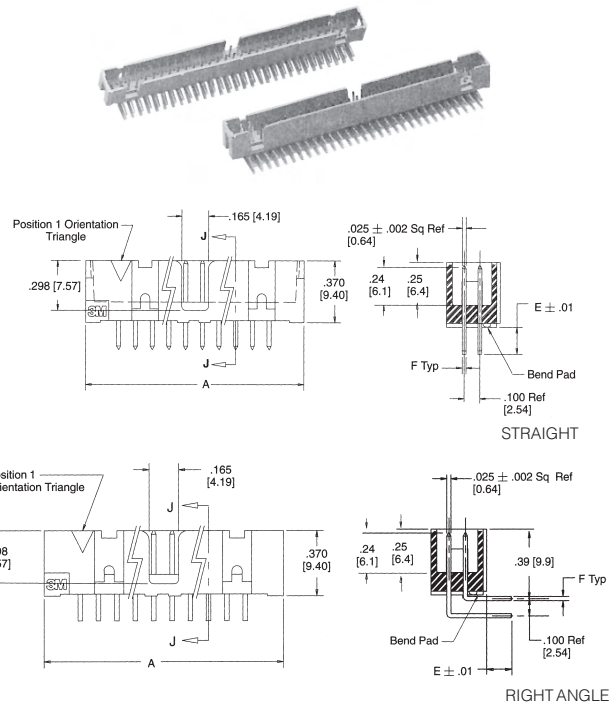
Solder tail (RoHS compliant Q3-05): MATERIALS: Insulator: Grey glass-filled polyester UL94V-0 rated. Contacts: Phosphor bronze, plated 30µ" gold over 100µ" nickel plate. Pressfit tails 200µ" tin lead. **OPERATING TEMPERATURE:** -55°C to +105°C, process rated to 260°C, single pass per J-STD-020C. **CURRENT RATING:** 1 amp.

Cat. No.	No. of Contacts	Latches	Dim. A	Dim. C	Net Price
.175" (4.44mm) PRESSFIT TAILS FOR .062 THICK PC BOARDS, 4-WALL, STRAIGHT PINS					
3793-650T02TC	10	Short	1.26 (32.1)	.865 (21.97)	\$3.91
3793-660T02TC	10	Long	1.26 (32.1)	.865 (21.97)	3.91
3428-660T02TC	20	Long	1.76 (44.8)	1.365 (34.67)	7.38
3429-650T02TC	26	Short	2.06 (52.4)	1.665 (42.29)	10.39
3429-660T02TC	26	Long	2.06 (52.4)	1.665 (42.29)	10.39
3431-660T02TC	34	Long	2.46 (62.6)	2.065 (52.45)	10.96
3432-650T02TC	40	Short	2.76 (70.2)	2.365 (60.07)	12.84
3432-660T02TC	40	Long	2.76 (70.2)	2.365 (60.07)	11.25
3433-650T02TC	50	Short	3.26 (82.9)	2.865 (72.77)	15.92
3433-660T02TC	50	Long	3.26 (82.9)	2.865 (72.77)	15.92

NOTE: Additional pin quantities available.

3M .100" x .100" LOW PROFILE BOX HEADERS

3M™ N2500 and 303 series low profile headers are designed to save space on and allow close stacking between PC boards. Available in 6 thru 64 pin quantities and mate to all .100 x 100-inch polarized wiremount sockets. Mating charts and detailed technical drawings available on request.



ORDERING INFORMATION

X25XX-X0XXXX

Blank = Standard
N = High Temperature
Pin Quantity: (See Table 1)
Bend Pad Option:
5 = Right angle
6 = Straight pin product with bend pad in high temp or normal plastics
7 = Straight pin product w/o bend pad in high temp only
Tail:
02 = Solder Tails for .062 (1.57) Thick Board.
02 = Kinest Solder Tails for .062 (1.57) Thick Board.
03 = Solder Tails for .094 to .125 (2.39 to 3.18) Thick Board.
05 = Wrap Tails for up to 3 Levels of Wire Wrap. (Normal temp only)
Mating Plating Thickness:
Solder Tail Versions
UG = 15 µ" (0.38 µm)
UB = 30 µ" (0.76 µm)
Wrap Tail Versions
EB = 30 µ" (0.76 µm)
(Normal temp only)

N2500 SERIES SHROUDED HEADERS

Available in 10 thru 50 pins. Dual slot and Centre bump polarization for broader compatibility. High-temp insulation suitable for lead-free processing. Optional snap-in latches and polarizing post. Optional retainer clip for locking sockets in place in vibration-prone environments. **MATERIALS:** Insulator: Black glass-filled polyester UL94V-0 rated. Contacts: Copper alloy, plated 30µ" gold over 100µ" nickel plate >Tails 200µ" matte tin. **OPERATING TEMPERATURE:** -55°C to +105°C, process rated to 260°C, single pass per J-STD-020C. **CURRENT RATING:** 1 amp.

Cat. No.	No. of Contacts	Dim. A	Net Price
.112" (2.84mm) SOLDER TAILS FOR .062 THICK PC BOARDS, 4-WALL, STRAIGHT PINS			
N2510-6002RB	10	.788 (20.02)	\$2.41
N2520-6002RB	20	1.288 (32.72)	2.88
N2526-6002RB	26	1.588 (40.34)	3.10
N2534-6002RB	34	1.988 (50.50)	3.72
N2540-6002RB	40	2.288 (58.12)	3.98
N2550-6002RB	50	2.788 (70.82)	4.93
.112" (2.84mm) SOLDER TAILS FOR .062 THICK PC BOARDS, 4-WALL, RIGHT ANGLE PINS			
N2510-5002RB	10	.788 (20.02)	2.67
N2520-5002RB	20	1.288 (32.72)	3.21
N2526-5002RB	26	1.588 (40.34)	3.40
N2534-5002RB	34	1.988 (50.50)	4.05
N2540-5002RB	40	2.228 (56.12)	4.38
N2550-5002RB	50	2.788 (70.82)	5.40

NOTE: Additional pin quantities and longer tail options available.