



**KINGS 7785 SERIES STANDARD SIZE
DUAL VIDEO JACKFIELDS**

Cat. No.	Description	Net Price
7785-6	1 × 24 term	\$1727.90
7785-29	1 × 24 non term	1606.49
7785-7	1 × 26 term	1821.31
7785-31	1 × 26 non term	1737.25
7785-41	1.5 × 24 term	1825.75
7785-40	1.5 × 28 term	2087.35
7785-8	2 × 24 term	1457.04
7785-32	2 × 24 non term	1376.98
7785-4	2 × 26 term	1457.04
7785-30	2 × 26 non term	1457.04



**KINGS 7575 SERIES STANDARD SIZE
SINGLE VIDEO JACKFIELDS**

Cat. No.	Description	Net Price
7575-46	1.5 × 28 term	\$2087.35
7575-15	2 × 24 term	1457.04



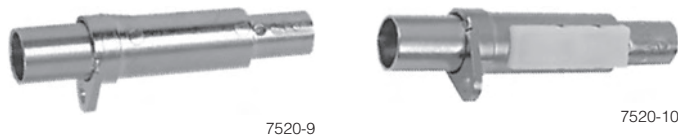
7510-4
7510-5
7510-7
7510-16

7510-5

7510-7

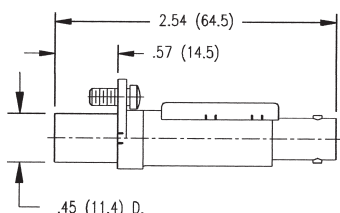
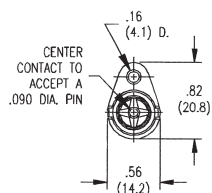
**KINGS 7510 SERIES STANDARD SIZE PATCH,
ADAPTER AND TERMINATION PLUGS**

Cat. No.	Configuration	Cable Type	Pin Size	Net Price
7510-1	Patch plug, cable entry	RG-59/U	.090"	\$51.04
7510-2	Patch plug, cable entry	Belden 9259	.090"	33.62
7510-4	Patch plug, cable entry	Belden 8281	.090"	54.30
7510-16	Patch plug, cable entry	Belden 1694A	.090"	54.30
7510-5	Patch plug to BNC adapter	—	—	94.93
7510-7	Patch plug termination	—	—	49.10

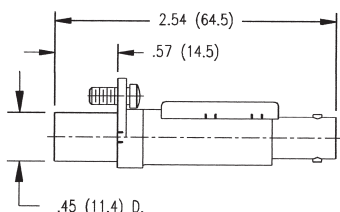
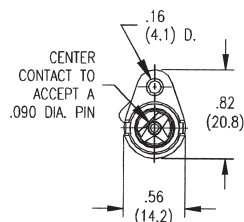


7520-9

7520-10



P/N 7520-9
ADAPTER, PATCH JACK
TO BNC, UNTERMINATED



P/N 7520-10
ADAPTER, PATCH JACK
TO BNC, TERMINATED

**KINGS 7520 SERIES STANDARD
SIZE SINGLE VIDEO JACKS**

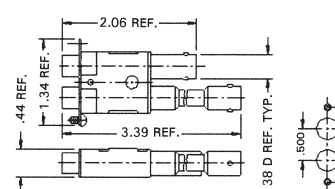
Kings high performance 7520 series jacks are ideal for use from analog through HDTV formats. These single video jacks mate with standard size (.37" diameter) patch plugs with WE .090" centre pins. The single video jacks provide a feed-through and/or terminated signal path between the BNC input/output connector and the patch jack. Impedance: 75 ohm. Mechanical life: 30,000 mating min. Temperature range: -40°C to + 85°C. **MATERIAL:** Contacts: beryllium copper, gold plated. Housing finish: nickel plate.

Cat. No.	Description	Net Price
7520-9	Patch jack to BNC, non term	\$35.22
7520-10	Patch jack to BNC, term	51.64



**KINGS 7790 SERIES HIGH DEFINITION (3GHZ)
MID SIZE DUAL VIDEO JACKS**

Kings high definition mid size 7790 series of video jacks have been designed to exceed SMPTE 292 requirements and include the same proven reliability of its predecessor, the 7400 series. The mid size video jack P/N 7790-1 is self-normal and self-terminating. Return loss: -20 dB to 3 GHz, through -15 dB to 3 GHz, patched. Impedance: 75 ohms. Mechanical life: 30,000 cycles min. Temperature range: -65°C to +125°C. **MATERIAL:** Contacts: beryllium copper, gold plated. Housing finish: TR-5®.

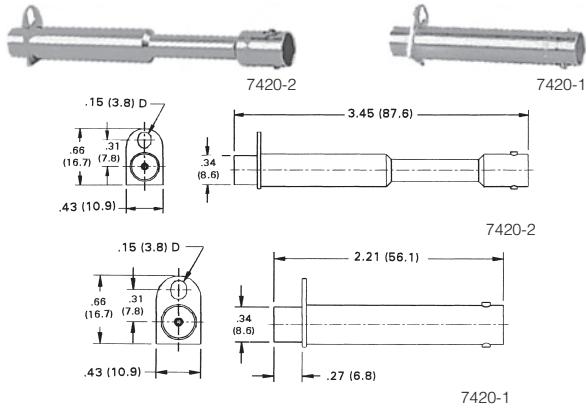


Cat. No.	Description	Net Price
7790-1	Dual normal terminated	\$61.42
7790-3	Dual normal unterminated	53.57
7790-4	Dual feel thru mode	53.51



KINGS 7795 SERIES MID SIZE DUAL VIDEO JACKFIELDS

Cat. No.	Description	Net Price
7795-1	1 x 24 term	\$1727.00
7779-11	1 x 30 term	1821.00
7779-12	1 x 32 term	2087.00
7779-13	1 x 34 term	2112.00
7775-14	1.5 x 32 term	2205.00



KINGS 7772 SERIES MID SIZE SINGLE VIDEO JACKS

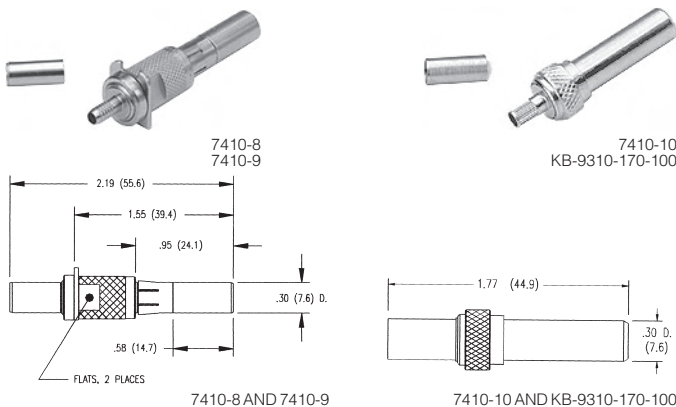
This mid size 7772 series of non-normal video (path-through) jacks mount in the same pattern as the 7400-5 self-normal types. They can be mixed and matched on the same panel for special applications. **MATERIAL:** Housing: brass. Housing finish: TR-5®. Springs and contacts: gold plated.

Cat. No.	Description	Net Price
7772-1	Unterminated (short body)	\$81.79
7772-2	Unterminated (long body)	105.14



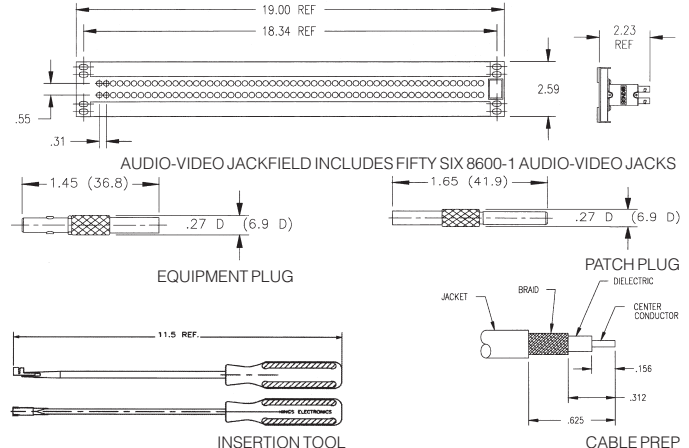
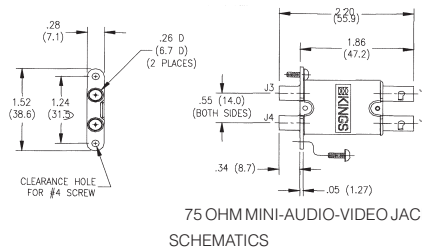
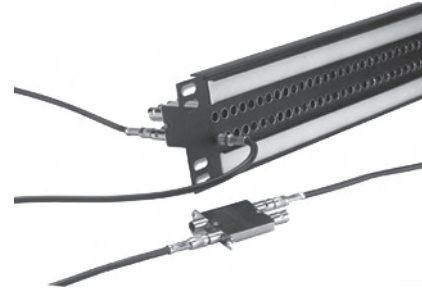
KINGS 7795 SERIES MID SIZE SINGLE VIDEO JACKFIELDS

Cat. No.	Description	Net Price
7795-15	1 x 32 non term	\$2007.00
7795-22	1 x 34 non term	2051.00
7795-21	1.5 x 32 non term	2195.00



KINGS 7410 SERIES MID SIZE PLUGS AND ADAPTERS

Cat. No.	Configuration	Cable Type	Net Price
KP-9310-170-100	Patch plug	Belden 9259	\$58.37
7410-10	Patch plug	Belden 1855A	58.37
7410-9	Patch plug	735	58.37
7410-8	Patch plug	734	58.37
7410-1	Patch plug to BNC adapter	—	58.37



KINGS 8600 AUDIO-VIDEO INTERCONNECT SYSTEM 75 OHM AUDIO/SERIAL DIGITAL VIDEO JACKS

Cat. No.	Description	Cable Type	Net Price
8600-1	Audio-video jack	Belden 1855A	\$58.22
8601-015-056	Audio-video-jackfield		3688.41
8605-1-9	Equipment plug		52.10
8608-1-9	Patch plug		19.68
KTW-13	Insertion tool		91.78