

HIGH VOLTAGE FUSES



Limitron fast acting fuse. For circuits with high available short circuit currents. Type KLM is the military designation. KLM's have a dc rating of 500 volts or less. Mount in Buss fuseholders, fuseblocks, and clips. Has UL and CSA recognition.

KLM TYPE FUSES

Cat. No.	Volts	Net Price
KLM-1	600	\$17.27
KLM-2	600	16.53
KLM-3	600	20.03
KLM-4	600	20.03
KLM-5	600	19.17
KLM-10	600	19.43
KLM-15	600	19.17
KLM-20	600	21.05
KLM-25	600	21.05
KLM-30	600	15.83

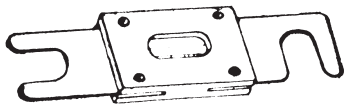


NO. 140 SMALL DIMENSION EMERGENCY KIT

For 125 and 250 Volt, 1/4" X 1 1/4" fuses. Fast Acting Fuses: AGC-1/4, 1/2, 1, 1 1/2, 2, 3. MTH-4, 5, 6, 7, 8. ABC-10, 15, 20, 30. Time Delay Fuses: MDL-1/2, 1, 1 1/2. MDQ-2, 3, 4, 5, 6. MDA-8, 10, 15, 20, 30. Plus fuse puller (FPC), fuseholder (HHB-32 volt) and twin clips (4121 to replace soldered fuses in circuit boards without resoldering).

Cat. No.	Net Price
140	\$6.92

LOW VOLTAGE LIMITERS



LOW VOLTAGE LIMITERS

Isolates faults in equipment systems such as lift trucks and other battery operated systems.

Cat. No.	Volts	Net Price
ANL-35	32	\$43.77
ANL-40	32	43.77
ANL-50	32	43.77
ANL-60	32	43.77
ANL-80	32	38.34
ANL-100	32	36.63
ANL-130	32	43.77
ANL-150	32	36.63
ANL-175	32	43.77
ANL-200	32	33.67
ANL-225	32	43.77
ANL-250	32	38.34
ANL-275	32	38.34
ANL-300	32	44.44
ANL-325	32	38.34
ANL-350	32	44.44
ANL-400	32	43.77
ANL-500	32	38.34
4164-FR	Fuse block for ANL limiters	35.88

STUD MOUNT

Semiconductor protection. Link element visible thru mica window.

EXTREMELY FAST ACTING

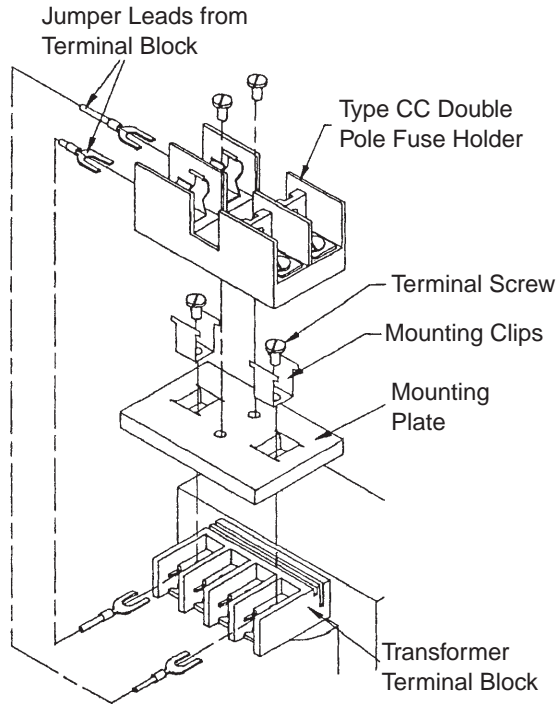
Cat. No.	Volts	Net Price
ANN-50	125	\$40.09
ANN-80	125	37.98
ANN-100	125	35.94
ANN-125	125	38.47
ANN-150	125	35.94
ANN-200	125	28.51
ANN-300	125	38.47
ANN-250	125	38.47
ANN-600	125	63.41



FRN-R (250V) AND FRS-R (600V) FUSES

The same electrical characteristics as the FRN and FRS FUSETRON Dual-Element Fuses. However, the FRN-R and FRS-R FUSETRON Dual-Element Fuses are of the class R rejection types. The over-all physical dimensions of these class R fuses are the same as standard class H (formerly NEC) fuses and will fit existing fused equipment, thus eliminating duplicate stocking, but the rejection feature (grooves in ferrule sizes and slot in knife blade sizes) prevents Class H (formerly NEC) fuses from being used in equipment designed for Class R fuses. UL listed, CSA certified.

Continued on next page....



PRIMARY FUSE KITS

Our pre-engineered primary fuse kit includes a dual fuse block, lead wire harness, mounting plate and clips, and all necessary mounting hardware.

NOTES:

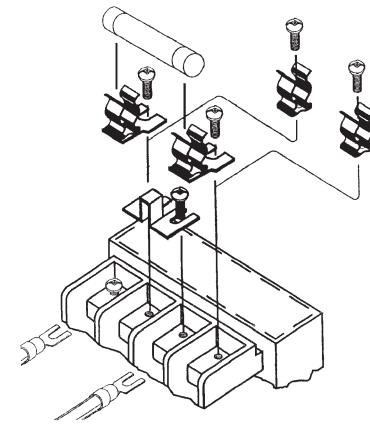
- Dual Primary fusing is required by Code on all transformers where the input voltage is 240 volts line to line, or higher. It is necessary to fuse both side of the incoming line. That includes voltage ratings of 240, 480 and 600 volts.
- Single primary fusing is permissible on voltage ratings up to 120V and 347V.
- Each fuse kit contains one item of each part, as applicable.
- Secondary fuse clips for 13 x 1 1/2" midget fuse are standard on all single secondary voltages.
- Primary Dual Rejection with Secondary Midget fuse clips are in stock on the following voltage combination: Primary 240/480 volts—Secondary 120 volts; Primary 240/480 volts—Secondary 24 volts.

FUSING OPTIONS

Item	Primary (Block mount fuse)	Secondary (Clip mount fuse)	Maximum Applicable VA Secondary Voltage		
			12 V	24 V	120 V-Up
1	(none)	1/4 x 1 1/4" glass	250	500	1000
2	(none)	13/32 x 1 1/2" midget	250	500	1000
3	Dual Rejection	13/32 x 1 1/2" midget	250	500	1000
4	Dual Rejection	1/4 x 1 1/4" glass	250	500	1000
5	Single Rejection	1/4 x 1 1/4" glass	250	500	1000
6	Single Rejection	13/32 x 1 1/2" midget	250	500	1000
7	Dual Rejection	(none)	1000	1000	1000
8	Dual Midget	(none)	1000	1000	1000
9	Dual Rejection	Single midget (block mount)	1000	1000	1000

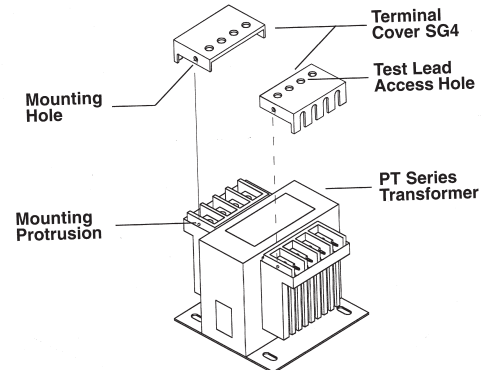
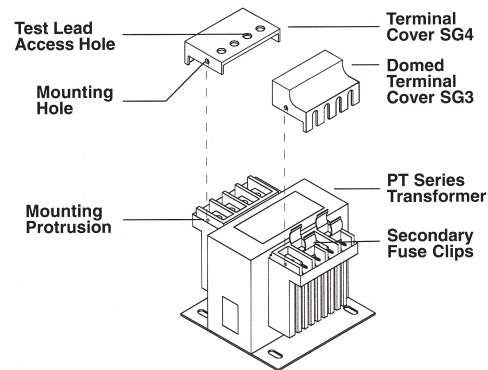
FIELD INSTALLED KITS

Cat. No.	Item	Fusing Options		Minimum Quantity Purchase	Net Price
		Primary (Block mount fuse)	Secondary (Clip mount fuse)		
FK-1-10	1	(none)	1/4 x 1 1/4" glass	1 kit (of 10)	\$6.97
FK-2-10	2	(none)	13/32 x 1 1/2" midget	1 kit (of 10)	6.97
FK-3	3	Dual Rejection	13/32 x 1 1/2" midget	1 kit	23.20
FK-6	4	Dual Rejection	1/4 x 1 1/4" glass	1 kit	23.20
FK-9	5	Single Rejection	1/4 x 1 1/4" glass	1 kit	22.30
FK-10	6	Single Rejection	13/32 x 1 1/2" midget	1 kit	22.30
FK-11	7	Dual Rejection	(none)	1 kit	14.70
FK-12	8	Dual Midget	(none)	1 kit	14.70
FK-14	9	Dual Rejection	Single Midget	1 kit	22.20



SECONDARY FUSE KITS

- Secondary Fuse kits consist of all necessary fuse clips, hardware and voltage links.
- Fuse clips are easy to install in the terminal block (see diagram below). Fuses are then easily snapped into place. (Fuses are not included.)



FINGER SAFE TERMINAL COVERS

Hammond terminal covers provide protection from electric shock or accidental contact of any kind, and they comply with IEC and CE requirements for Finger Touch guidelines. These finger safe terminal covers feature: One piece molded design for easy installation and removal. Molded from strong, yet flexible "Lexan" polyester plastic, which will not break or chip. Clear, see through design allows for maximum visibility of both fuse and/or terminal connections. No extra parts like mounting brackets or screws ensure you will always have the correct tools for installation or removal. Available in several styles to facilitate fusing or non-fusing options. Retrofittable with all PH Series control transformers up to 1000VA, manufactured as of November 1, 1996.

Cat. No.	Description	Net Price
SG2	Safety puller for primary fuse blocks	\$8.36
SG3	Domed Terminal Cover (for fused Secondary)	3.42
SG4	Terminal Cover (for unfused Primary and/or Secondary terminals)	2.56