



## ALL PURPOSE ELECTRICAL WIRING KIT

Kit Contains: SUPER CHAMP Hand Tool. 26 insulated terminals and splices. Fold-up vinyl case has clear plastic pockets for tool and terminals. Length: 8.75 (220), width: 3.00 (76), height: 1.00 (25.4), weight: 8 oz. (0.23 kg).

Cat. No.	Net Price
604812-1	\$55.64



## ELECTRICAL REPAIR KIT

Kit Contains: SUPER CHAMP IV Hand Tool. Assorted insulated and uninsulated terminals and pieces. Clear plastic case with compartments and hinged top. Length: 11.00 (280), width: 7.00 (180), height: 2.10 (50), weight: 6 lbs. (2.72 kg).

Cat. No.	Net Price
314974-1	\$78.20



## PIDG TERMINAL KIT

Kit Contains: SUPER CHAMP IV Hand Tool. 500-piece kit includes insulated PIDG ring and spade terminals, butt splices and FASTON receptacles. Wire size 22-10 AWG (0.3-5 mm<sup>2</sup>). Hinged-top, heavy-duty, metal case with storage compartments. Length: 13.6 (345), width: 9.6 (240), height: 2.01 (50), weight: 6 lbs. (2.72 kg).

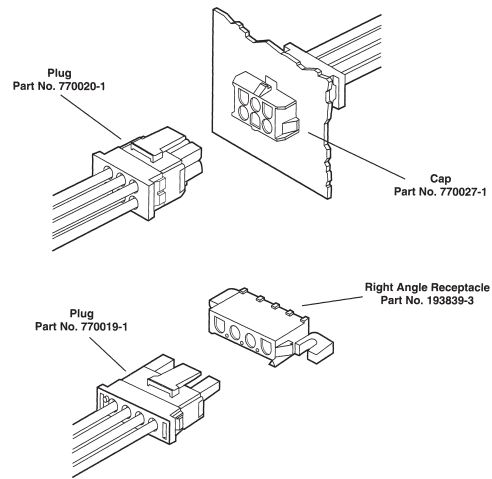
Cat. No.	Net Price
608028-1	\$183.83



## PLASTI-GRIP® SOLDERLESS TERMINAL AND CONNECTOR KIT

Kit Contains: SUPER CHAMP Hand Tool. 500 assorted insulated terminals and connectors. Wire size 22-10AWG (0.3-5 mm<sup>2</sup>). Hinged-top, heavy-duty, metal case with storage compartments. Length: 13.6 (345), width: 9.6 (240), height: 2.1 (50), weight: 6 lbs (2.72 kg).

Cat. No.	Net Price
604200-1	\$188.34



## AMP HIGH CURRENT UNIVERSAL MATE-N-LOK® II CONNECTORS

The Louvertac bands have the versatility of being designed into contact dimensions used in existing AMP connectors. Universal MATE-N-LOK II high current contacts have been designed to fit into an existing Universal MATE-N-LOK II housing. An initial T-rise test of a fully energized 4 circuit connector with 10 gage wires has shown a 31 amp capability per line with a 30° T-rise on either the cable-to-cable or cable-to-board.

### CONNECTOR HOUSINGS

Material: housing: UL 94V-0 nylon. Contact body: copper alloy. Louvertac band: beryllium copper. Finish: silver.

Cat. No.	No. of Circuits	Net Price
<b>CABLE-TO-CABLE PLUG</b>		
770017-1	2	\$.51
770018-1	3	.56
770019-1	4	.67
770020-1	6	.72
770021-1	9	.77
770022-1	12	1.76
770023-1	12	1.13
<b>CABLE-TO-CABLE CAP</b>		
770024-1	2	.52
770025-1	3	.62
770026-1	4	.68
770027-1	6	.71
770028-1	9	.76
770029-1	12	1.70
770030-1	15	1.07
<b>CABLE-TO-RIGHT ANGLE BOARD RECEPTACLE</b>		
193839-1	2	9.55
193839-2	3	13.28
193839-3	4	23.22
193839-4	5	30.95
<b>CABLE-TO-RIGHT ANGLE BOARD PLUG</b>		
770017-1	2	.51
770018-1	3	.56
770019-1	4	.67
770016-1	5	1.16



HIGH CURRENT SOCKET  
CAT. NO. 193797-1



HIGH CURRENT PIN  
CAT. NO. 193796-1

### CONTACTS AND CRIMP TOOLS FOR HIGH CURRENT UNIVERSAL MATE-N-LOK II CONNECTORS

Contact Material: body: copper alloy. Louvertac band: beryllium copper. Finish: silver. UL recognized, CSA approved.

Continued on next page....

# Panduit Terminals & Wiring Kits



## COMPRESSION AND MECHANICAL CONNECTORS

Conductor Size	Type				
	LCAS	LCA	LCB	LCC	LCD
350 MCM		LCA350-38-X LCA350-12-X LCA350-58-X LCA350-78-X	LCB350-12-X LCB350-78-X	LCC350-14B-X LCC350-38D-X LCC350-12-X	LCD350-14B-X LCD350-38D-X LCD350-12E-X LCD350-12-X
400 MCM		LCA400-38-6 LCA400-12-6 LCA400-58-6 LCA400-78-6	LCB400-38-6 LCB400-12-6 LCB400-58-6 LCB400-78-6	LCC400-14B-6 LCC400-38D-6 LCC400-12-6	LCD400-38D-6 LCD400-12-6
500 MCM		LCA500-38-6 LCA500-12-6 LCA500-58-6 LCA500-34-6 LCA500-78-6 LCA500-1-6	LCB500-12-6 LCB500-58-6 LCB500-78-6	LCC500-14B-6 LCC500-38D-6 LCC500-12-6	LCD500-14B-6 LCD500-38D-6 LCD500-12E-6 LCD500-12-6
600 MCM		LCA600-12-6 LCA600-58-6 LCA600-78-6	LCB600-12-6 LCB600-58-6	LCC600-38D-6 LCC600-12-6	LCD600-38D-6 LCD600-12-6
750 MCM			LCB750-58-6 LCB750-78-6	LCC750-12-6	LCD750-12-6
800 MCM			LCB800-58-6	LCC800-12-6	
1000 MCM			LCB1000-58-3	LCC1000-12-3	LCD1000-12-3

**NOTE:** For more information and pricing contact your Electro Sonic sales representative.



KP-1165




K-1102

### TERMINAL KITS

Cat. No.	Description	Net Price
☐ KP-1075	Starter Kit Includes: (20) each: PV18-8R, PV18-6F, PV14-8F, PV14-10R, Terminal Rings. (10) each: PV10-8R and PV10-10R, Terminal Rings. (10) each: DNF14-250, and DNF18-250 Female Disconnects. (10) each: BSV18X, BSV14X, and BASV10X Butt Splices. (5) each: JN418-212 Wire Joints. (1) Clear plastic box.	\$53.16
☐ KP-1165	Starter Kit Includes: (20) each: PV18-8R, PV18-6F, PV14-8F, and PV14-10R Terminal Rings. (10) each PV10-8R and PV10-10R Terminal Rings. BSV18X, BSV14X, and BSV10X Butt Splices. (10) each: DV18-250B and DV14-188B Female Disconnects. (5) each JN418-212 Wire Joints. (1) each CT-160 Crimp Tool and KP-1000 Plastic Box.	107.22

Cat. No.	Description	Net Price
☐ KP-1000	Empty Plastic Kit Box.	\$33.64
☐ K-1102	Starter Kit Includes: (100) each: PV18-6LF, PV18-8LF, PV14-8LF, PV14-10LF Fork Terminals. (100) each: BSV18X and BSV14X Butt Splices. (50) each: PV10-10LF Fork Terminals (50) BSV10X Butt Splices. (1) each: CT-1000 Crimp Tool and K-1000 Steel Box.	427.99
☐ K1-PNKIT	Industrial Kit Includes: (100) each: PLT2S Cable Ties. (100) each: MP150 Marker Tags. (100) each: PN18-8F Fork Terminals. (100) each: PN14-10R Ring Terminals. (100) each: PN18-610R, PN14-610R Multiple Stud Terminals. (100) each: PN18-6LF, PN14-8LF Locking Fork Terminals. (100) each: DNF18-250, DNF14-250 Female Disconnects. (50) each BSN18, BSN14 Butt Splices. (50) each: PN10-10LF Locking Fork Terminals. (50) each: PN10-10R Ring Terminals. (50) each: Female Disconnects. (25) each: BSN10 Butt Splices. (1) each: CT-260 Crimp Tool, PMD-0-9 Marking Dispenser and Tape, PX-0 Marker and K-1001 Steel Kit Box.	425.92
☐ K2-PVKIT	Industrial Kit Includes: (100) each: DNF18-250 Female Disconnects. (100) each: PV18-8F and PV14-10R Ring Terminals. (100) each: PV14-8LF, PV18-6LF Locking Fork Terminals. (100) each: DV14-250B Female Disconnects. (50) each: BSV18X, BSV14X, BSV10X Butt Splices. (50) each PV10-10LF Locking Fork Terminals. (50) each: PV10-10R Terminal Rings. (50) each: DV10-250 Female Disconnects. (30) each: P1 and P2 P-Conn Wing Style Connectors. (30) each: P73 P-Conn Nut Style Connectors. (1) each: CT-260 Crimp Tool, PMD-0-9 Marking Dispenser and Tape, K-1001 Steel Kit Box.	326.56
☐ K-1104	Start Kit Includes: (50) each: PN-18-10R, PN14-6R, PN14-10R, PN18-6F, PN14-6F, and PN14-10F Ring Terminals. (25) each: PN10-10R, PN10-56R and PN10-10F Ring Terminals BSN14 and BSN10 Butt Splices. JN418-212 Wire Joints. (1) each: CT-100 Crimp Tool, K-1000 Steel Kit Box.	470.43
☐ K-1000	Empty Steel Kit Box.	70.45



Part's indicated with a leaf  are considered RoHS July 2006 compliant based on the manufacturer's confirmation at the time of publishing. For additional information please contact Electro Sonic.

**JUST-IN-TIME DELIVERY IS JUST ONE OF THE MANY VALUE-ADDED SERVICES ELECTRO SONIC PROVIDES.**