

CMD333 UWC SERIES T-1-3/4 WHITE LEDS

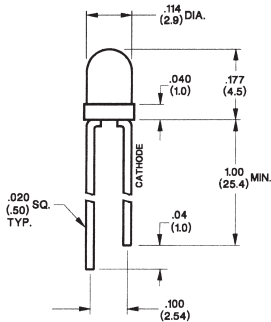
FEATURES: Package type: Non-diffused. View angle (degrees): 20.

Cat. No.	Lens Colour/ Output Colour	Forward Voltage		Lumen mcd	Net Price
		Typ.	Max.		
◊ CMD333UWC	Clear/White	3.75	3.85	2300	\$6.55

CMD SERIES LED LAMPS SUPER BRITE T-1-3/4

These T-1-3/4 LED lamps, available in both diffused and non-diffused packages, provide exceptional luminous intensity when compared to conventional LED lamps. Luminous intensities as high as 2000 millicandela are available making these lamps excellent indicators in high ambient lighting conditions. These lamps utilize improved GaP and GaAlAs technologies. Package type: Diffused/Non-Diffused.

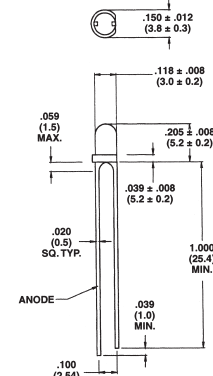
Cat. No.	Lens Colour/ Output Colour	Forward Voltage		Lumen mcd	Net Price
		Typ.	Max.		
CMD333UGD	Green/Green	2.1	2.8	160.0	\$.50
CMD333HRD-1	Red/Red	1.7	2.4	180.0	.47
CMD333UGC	Clear/Green	2.1	2.8	800.0	.44
CMD333HRC-6	Clear/Red	1.7	2.4	600.0	.25
CMD333URC-2	Clear/Red	1.7	2.4	2000.0	.62



CMD SERIES BLUE LAMPS T-1 LEDs

These revolutionary LED lamps emit a true Blue colour (430nm) for those design engineers looking for that fourth status colour. Lamps are manufactured with state of the art Silicon Carbide (SiC) technology. LED lamps are in both diffused and non-diffused lens types. **CMD264UBD:** Diffused. **CMD264UBC:** Non-Diffused.

Cat. No.	Lens Colour/ Output Colour	Forward Voltage		Lumen mcd	Net Price
		Typ.	Max.		
CMD264UBD	Blue/Blue	3.8	4.5	110.0	\$2.46
CMD264UBC	Clear/Blue	4.0	4.6	110.0	2.65

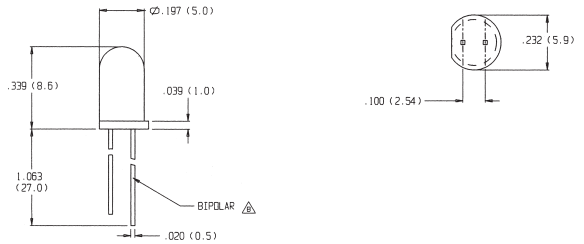


ALL DIMENSIONS ARE IN INCHES (MM)

CMD204UWC SERIES T-1 WHITE LEDS

FEATURES: Package type: non-Diffused. View angle (degrees): 22.

Cat. No.	Lens Colour/ Output Colour	Forward Voltage		Lumen mcd	Net Price
		Typ.	Max.		
◊ CMD204UWC	Clear/White	3.6	4.0	2300	\$6.55

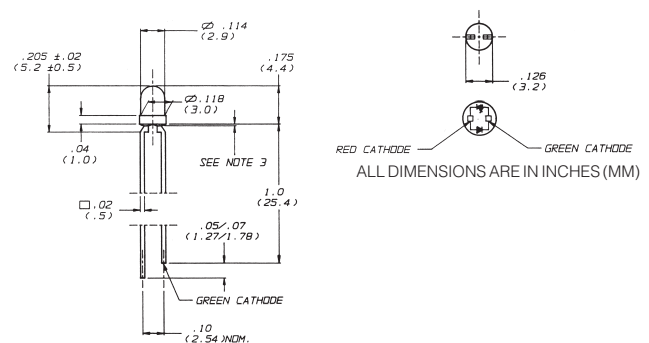


ALL DIMENSIONS ARE IN INCHES (MM)

4301H1/5 SERIES SOLID STATE LED LAMPS HIGH BRITE BI-COLOUR T-1-3/4 (5MM)

FEATURES: Provides red and green in the same two lead package. Chips are brightness matched-green and red light is uniform. Package type: Diffused/non-Diffused. Output colour: Red/Green. Viewing angle (degrees): 50.

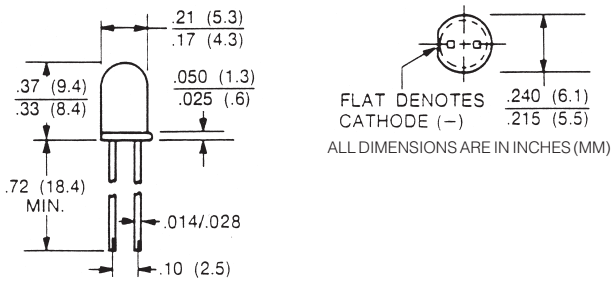
Cat. No.	Lens Colour/ Output Colour	Forward Voltage		Lumen mcd	Net Price
		Typ.	Max.		
◊ 4301H1/5	Clear/Red-Green	2.2	2.8	6	\$1.22



4301F1/5 SERIES SOLID STATE LED LAMPS BI-COLOUR SUPER BRITE T-1 (3MM)

FEATURES: Dual chip. Uniformly of output colour. Wide viewing angle. Clear diffused. Viewing angle (degrees): 100.

Cat. No.	Lens Colour/ Output Colour	Forward Voltage		Lumen mcd	Net Price
		Typ.	Min.		
◊ 4301F1/5	White/Red-Green	1.8/2.1	2.4/2.8	12.6/3.7	\$1.22



SERIES 4304H SUPER BRITE SOLID STATE LED LAMPS PACKAGE TYPE T-13/4

FEATURES: High-intensity light output. Wide viewing angle.

Cat. No.	Lens Colour	Forward		Lumen mcd	Net Price
		Volt	mA		
4304H1	Red	2.0	10.0	6.3	\$.37
4304H3	Amber	2.2	10.0	20.0	\$.53
4304H5	Green	2.1	10.0	10.0	\$.37
4304H7	Yellow	2.1	10.0	6.3	\$.37

SERIES 4305H ULTRA BRITE SOLID STATE LED LAMPS PACKAGE TYPE T-13/4

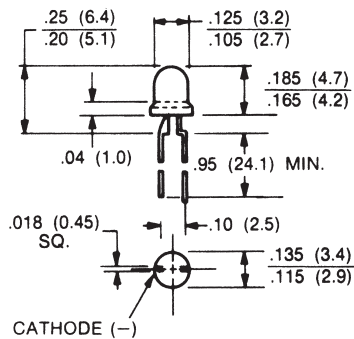
FEATURES: Narrow beam viewing angle. High-intensity light output.

Cat. No.	Lens Colour	Forward		Lumen mcd	Net Price
		Volt	mA		
4305H1	Red	2.1	20.0	68	\$.37
4305H5	Green	2.2	20.0	100	\$.37
4305H7	Yellow	2.2	20.0	160	\$.37

SERIES 4302H-5V AND 4302H-12V SOLID STATE INTEGRATED RESISTOR LED LAMPS PACKAGE TYPE T-13/4

FEATURES: Integral current limiting resistor. TTL compatible—requires no external current limiting resistor, will operate directly off 5 volt or 12 volt supply. Wide viewing angle—90°. Cost effective—saves valuable board space, resistor and assembly cost.

Cat. No.	Lens Colour	Forward		Lumen mcd	Net Price
		Volt	mA		
4302H1-5V	Red	5.0	10.0	8	\$1.09
4302H3-5V	Amber	5.0	10.0	8	1.09
4302H5-5V	Green	5.0	12.0	8	1.09
4302H1-12V	Red	12.0	13.0	8	1.09
4302H3-12V	Amber	12.0	13.0	8	1.09
4302H5-12V	Green	12.0	13.0	8	1.09



4300FLC SERIES T-1 SOLID STATE LED LAMPS (3mm)

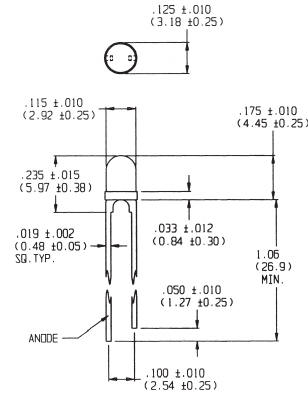
FEATURES: T-1 BRITE LEDs: Require only 2 mA. Ideal for limited-current power supplies.

Cat. No.	Output Colour	Forward		Lumen mcd	View Angle	Net Price
		Volts	mA			
4300F1LC	Red	1.8	2.0	2.3	50°	\$.62
4300F5LC	Green	1.8	2.0	2.3	50°	\$.62
4300F7LC	Yellow	1.9	2.0	2.1	50°	\$.62

SERIES 4303F SUPER BRITE SOLID STATE LED LAMPS PACKAGE TYPE T-1

FEATURES: High intensity light output. Diffused lens wide viewing angle—90°.

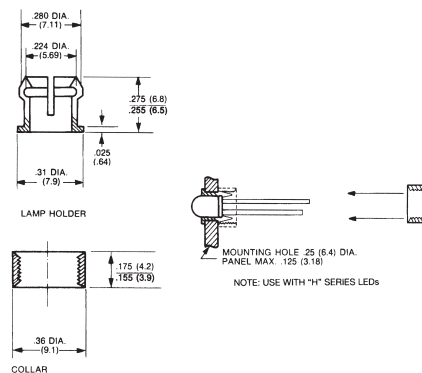
Cat. No.	Lens Colour	Forward		Lumen mcd	Net Price
		Volt	mA		
4303F1	Red	2.0	10.0	10.0	\$.37
4303F3	Amber	2.2	10.0	7.0	\$.56
4303F5	Green	2.2	10.0	16.0	\$.37
4303F7	Yellow	2.1	10.0	6.3	\$.37



4302F-5V, 4302F-12V SERIES INTEGRATED RESISTOR 5 VOLTS 12 VOLTS T-1 (3MM) LEDs

FEATURES: High brightness output. Integral current limiting resistor. TTL compatible requires no external current limiter with 5 volt or 12 volt supply. Wide viewing angle—60°. Package type: Diffused. Viewing angle (degrees): 60.

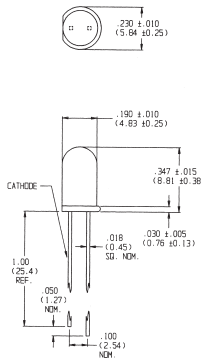
Cat. No.	Lens and Output Colour	Forward Voltage		Lumen mcd	Net Price
		Typ.	Max.		
4302F1-5V	Red	5	7.5	8.0	\$.90
4302F5-5V	Green	5	7.5	8.0	\$.90
4302F1-12V	Red	12	15	8.0	1.09
4302F5-12V	Green	12	15	8.0	1.09



MOUNTING CLIPS FOR T-1-3/4 (5MM) LEDs

This attractive and economical mounting clip installs quickly and provides secure mounting for T-1-3/4 high dome LEDs such as 4301H, 4304H, 4305H or 4308H Series. Colour: Black polypropylene. Mounting hole: .250 (6.35) min. dia. in panels up to .125 (3.18) thick.

Cat. No.	Net Price
4304MC	\$.16



ALL DIMENSIONS ARE IN INCHES (MM)

4300HLC SERIES SOLID STATE LED BRITE LAMPS LOW CURRENT T-1-3/4 (5MM)

FEATURES: Low current requires only 2mA. Ideal for limited current. Package type: Diffused/Non-Diffused.

Cat. No.	Lens And Output Colour	Forward Voltage		Lumen mcd	Net Price
		Typ.	Max.		
4300H1LC	Red	1.8	2.2	2.3	\$.62
4300H5LC	Green	1.8	2.2	2.3	\$.62
4300H7LC	Yellow	1.9	2.7	2.1	\$.62



IDI PANEL MOUNT LENSES

Provide quick and economical panel mounting, plus electrostatic discharge protection for T-1 and T-1¼ LEDs. Constructed from polycarbonate material. The 4331-4337 series snap into .170/.174 (4.32/4.42) dia. hole; the 4351-4357 series snap into .187/.192 (4.75/4.87) dia. hole; 4311-4317, 4321-4322 and 4371-4377 into .248/.252 (6.30/6.40) dia. hole and 4341-4347 into .354/.360 (9.00/9.14) dia. hole. Series 4311-4317, 4321-4327 and 4371-4370 feature molded in Fresnel rings that spread light evenly, providing wide viewing angle viewing (up to 180°) with a bright attractive appearance. Series 4341-4347 and 4371-4377 can be used with narrow beam LEDs. The 4370 spacer is required with the 4371-4377 series lenses where the panel thickness is less than .19 (.48). T-1 LEDs use 4330, 4350 Series lenses; T-1¼ LEDs use 4310, 4320 and 4370 Series, and 4340 series fit T-1¼ narrow beam LEDs as well as Incandescent and Neon Lamps.

Cat. No.	Lens Colour	Net Price
----------	-------------	-----------

PANEL MOUNT LENSES

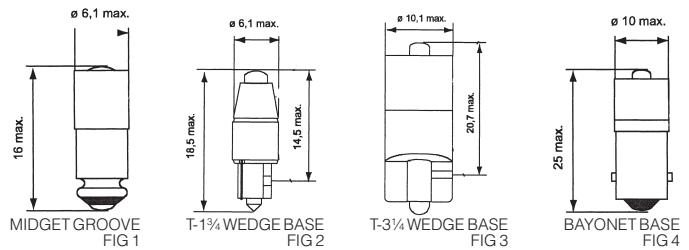
FOR T-1 (3MM) LEDs

4331	Red	\$.59
4335	Green	\$.59
4337	Yellow	\$.59
4351	Red	\$.69
4352	Clear	\$.69
4354	White	\$.69
4355	Green	\$.69
4357	Yellow	\$.69

FOR T-1¼ (5MM) LEDs

4311	Red	\$.56
4312	Clear	\$.56
4315	Green	\$.56
4317	Yellow	\$.56

Cat. No.	Lens Colour	Net Price
4321	Red	\$.69
4322	Clear	\$.69
4325	Green	\$.69
4327	Yellow	\$.69
4341	Red	\$.69
4342	Clear	\$.69
4343	Amber	\$.69
4344	White	\$.69
4345	Green	\$.69
4347	Yellow	\$.69
4371	Red	\$.69
4372	Clear	\$.69
4375	Green	\$.69
4377	Yellow	\$.69
4370	Spacer	\$.20



BASED LEDs

Based LEDs are available in various base styles, sizes, voltages and colours. Life on these based LEDs are typically in excess of 100K hours as opposed to as low as 500 for some based incandescent bulbs.

Cat. No.	Colour	Voltage	Typical Intensity (Mcd)	Current AC/DC	Net Price Each	
					1-299	300-Up
T-1¼ MIDGET GROOVE BASE, FIG 1						
1512125UR3	Red	12	330	7/14	\$8.63	\$7.67
1512125UG3	Green	12	910	7/14	14.59	12.97
1512125UY3	Yellow	12	280	7/14	8.63	7.67
1512125B3	Blue	12	350	7/14	14.59	12.97
1512125W3	White	12	700	7/14	14.59	12.97
1512135UR3	Red	24	330	7/14	8.88	7.89
1512135UG3	Green	24	910	7/14	14.84	13.19
1512135UY3	Yellow	24	280	7/14	8.89	7.89
1512135B3	Blue	24	350	7/14	14.84	13.19
1512135W3	White	24	700	7/14	14.84	13.19
1512145UR3	Red	28	330	7/14	8.88	7.89
1512145UG3	Green	28	910	7/14	14.84	13.19
1512145UY3	Yellow	28	280	7/14	8.88	7.89
1512145B3	Blue	28	350	7/14	14.84	13.19
1512145W3	White	28	700	7/14	14.84	13.19

T-1¼ WEDGE BASE, FIG 2

1511A25UR3	Red	12	280	6/12	8.88	7.89
1511A25UG3	Green	12	780	6/12	14.84	13.19
1511A25UY3	Yellow	12	240	6/12	8.88	7.89
1511A25B3	Blue	12	300	6/12	14.84	13.19
1511A25W3	White	12	600	6/12	14.84	13.19
1511A35UR3	Red	24	230	5/10	8.88	7.89
1511A35UG3	Green	24	650	5/10	14.84	13.19
1511A35UY3	Yellow	24	200	5/10	8.88	7.89
1511A45UR3	Red	28	230	5/10	8.88	7.89
1511A45UG3	Green	28	650	5/10	14.84	13.19
1511A45B3	Blue	28	250	5/10	14.84	13.19
1511A45W3	White	28	500	5/10	14.84	13.19

T-3/4 WEDGE BASE, FIG 3

1511A25UR3	Red	12	330	7/14	8.88	7.89
1511A25UGE	Green	12	910	7/14	14.84	13.19
1511A25UY3	Yellow	12	280	7/14	8.88	7.89
1511A25B3	Blue	12	350	7/14	14.84	13.19
1511A25W3	White	12	700	7/14	14.84	13.19
1511A35UR3	Red	24	330	7/14	8.88	7.89
1511A35UG3	Green	24	910	7/14	14.84	13.19
1511A35UY3	Yellow	24	280	7/14	8.88	7.89
1511A35B3	Blue	24	350	7/14	14.84	13.19
1511A35W3	White	24	700	7/14	14.84	13.19
1511A45UR3	Red	28	330	7/14	8.88	7.89
1511A45UG3	Green	28	910	7/14	14.84	13.19
1511A45UY3	Yellow	28	280	7/14	8.88	7.89
1511A45B3	Blue	28	350	7/14	14.84	13.19
1511A45W3	White	28	700	7/14	14.84	13.19

Continued on next page....