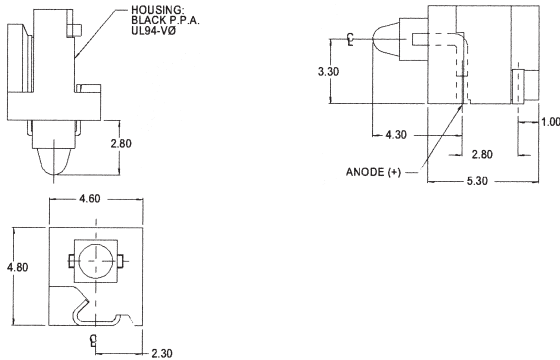


## SURFACE MOUNT LEDs SERIES SMDA7

**FEATURES:** Tape and reel packaged for high speed auto insertion. Convection and vapor-phase reflow compatible. Industry standard right angle package. Consistent high brightness. Bi-colour available. Ideal for use with Chicago Miniature Bright Pipe Optical Light Pipes. Stringent process controls assure quality. Extensive qualification testing to meet strictest requirements. Designed to permit easy post-reflow solder joint inspection. Package type: Single.

Cat. No.	Emitted Colour	Lens Colour	Forward		Lumen mcd	Net Price
			Volts	mA		
◊ CMDA7DR7A1X	Red	Clear	1.7	20	24.5	<b>\$.22</b>
◊ CMDA7BR7A1S	Red	Clear	2.1	20	11.0	<b>\$.22</b>
◊ CMDA7CY7A1X	Yellow	Clear	2.0	20	3.0	<b>\$.22</b>
◊ CMDA7CG7A1Z	Green	Clear	2.1	20	5.2	<b>\$.22</b>
◊ CMDA7AY7A1X	Green	Clear	2.1	20	10.0	<b>\$.22</b>

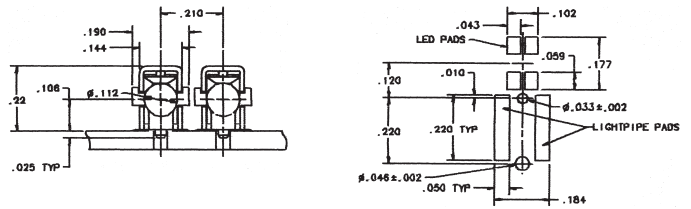


## BRIGHT★ANGLE SUB-MINIATURE SMT LED ASSEMBLIES SERIES 6255T

**FEATURES:** Tape and reel packaged for high speed pick-and-place installation. Convection and vapor-phase reflow compatible. Compact form enables high density placement. Ideal for backlighting applications. Wide view angle and super bright output. Direct optics no bends or losses. Built-in resistor for 5v and 5V low-current. Ideal drop-in replacement for Dialight 591 series prism. 100K + hour MTBF. Housing: Black polyphenylen sulfide, UL94V0 rated.

Cat. No.	Emitted Colour	Lens Colour	Forward		Lumen mcd	Net Price
			Volts	mA		
◊ 6255T1	Red	Red	2.2	10.0	5.0	<b>\$1.44</b>
◊ 6255T3	Amber	Amber	2.0	10.0	5.0	<b>1.44</b>
◊ 6255T5	Green	Green	2.3	10.0	4.0	<b>1.44</b>
◊ 6255T7	Yellow	Yellow	2.2	10.0	3.8	<b>1.44</b>
◊ 6255T1-5V	Red	Red	5.0	9.6	5.0	<b>1.69</b>
◊ 6255T3-5V	Amber	Amber	5.0	10.0	5.0	<b>1.69</b>
◊ 6255T5-5V	Green	Green	5.0	10.0	5.0	<b>1.69</b>
◊ 6255T1LC	Red	Red	1.8	2.0	0.5	<b>1.44</b>
◊ 6255T5LC	Green	Green	1.8	2.0	1.2	<b>1.44</b>
◊ 6255T7LC	Yellow	Yellow	1.9	2.0	0.5	<b>1.44</b>

**NOTE:** Custom Optical Light Pipes available upon request.

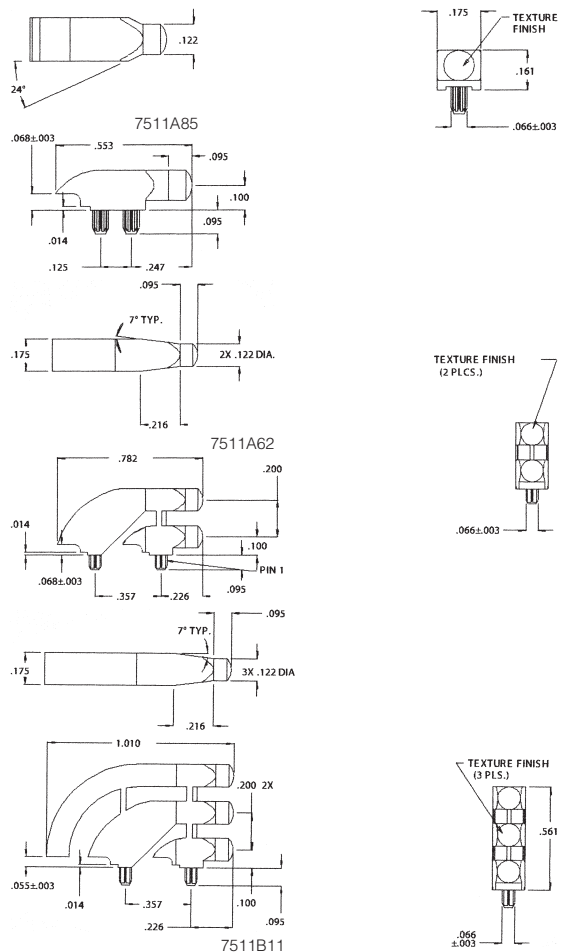


## SMD BRIGHT★PIPE OPTICAL LIGHTPIPES SERIES 7520A10

**FEATURES:** Eliminates mixed technology PC board processing. EMI/RFI protection (Circuit isolation from front panel) and UL 94HB compliant. Packaged on 24mm tape reels per EIA-281-2 (700 units per reel). Compatible with automatic pick and place equipment. Compatible with modern infrared soldering processes. Recommended light source CML's CMDA4 Series (Top LED) SMT LED. Material meets UL94HB flammability rating.

Cat. No.	Description	Net Price
7520A10	Bulk	<b>\$1.72</b>
7520A10-TR	Tape and reel	<b>1.39</b>

**NOTE:** Custom Optical Light Pipes available upon request

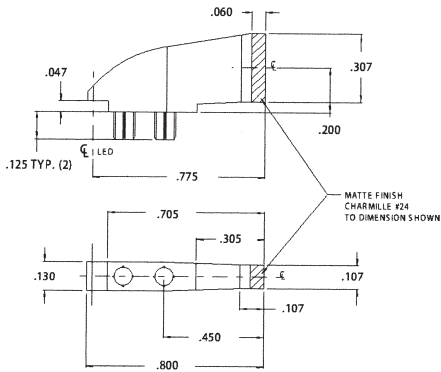


## BRIGHT★PIPE OPTICAL LIGHTPIPES SERIES 7511A85, 7511A62 AND 7511B11

**FEATURES:** Parts inserted after reflow to permit LED pad inspection prior to assembly. recommended light source CML's CMDA Series (Top LED) SMT LED. ESD protection (Circuit isolation from front panel) and UL 94V2 compliant. High contrast and wide viewing angle for greater visibility. All three models have matching center lines to allow side by side mounting.

Cat. No.	Net Price
◊ 7511A85	<b>\$1.18</b>
◊ 7511A62	<b>1.22</b>
◊ 7511B11	<b>1.18</b>

**NOTE:** Custom Optical Light Pipes available upon request




## 2.5 × 7.5MM BRIGHT★PIPES OPTICAL LIGHTPIPES SERIES 7610D2

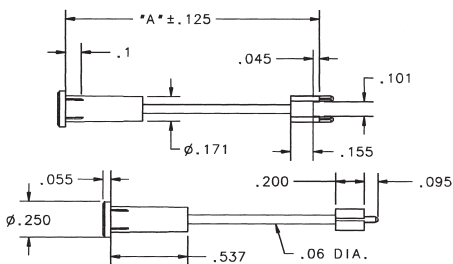
**FEATURES:** Parts inserted after reflow to permit LED pad inspection to assembly. Recommended light source CML's CMDA5 Series (0805) SMT LED. ESD protection (Circuit isolation from front panel) and UL 94V0 COMPLIANT. High contrast and wide viewing angle for greater visibility. Low profile for height constrained applications. Ideal for bar graph displays.

Cat. No.	Net Price
7610D2	\$ .78

**NOTE:** Custom Optical Light Pipes available upon request



Part's indicated with a leaf  are considered RoHS July 2006 compliant based on the manufacturer's confirmation at the time of publishing. For additional information please contact Electro Sonic.

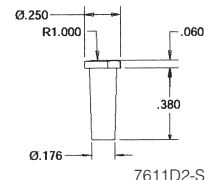
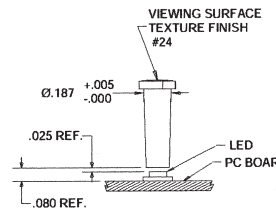
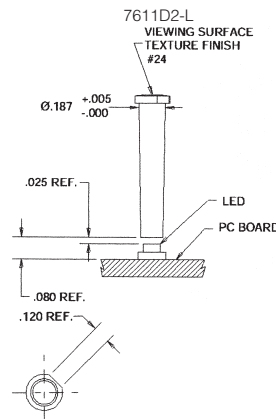
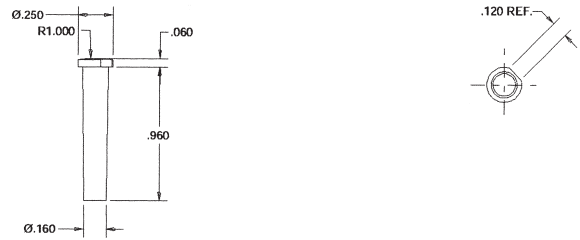


## BRIGHT★PIPES FLEXPipe FIBER-OPTIC LIGHTPIPES SERIES 7512FPR-XXX

**FEATURES:** 3/16 panel mount hole press fit design. Secures to PCB by compression fit pins over SMT LED. Unit can be offered in any length from 100mm to 1800mm. Recommended light source CML's CMDA5 Series (0805) SMT LED. ESD protection from circuitry to exceptional reliability. Large lens provides high visibility. Water clear optics for variety of LED colours.

Cat. No.	Net Price
7512FPR-305	\$3.62

**NOTE:** Custom Optical Light Pipes available upon request

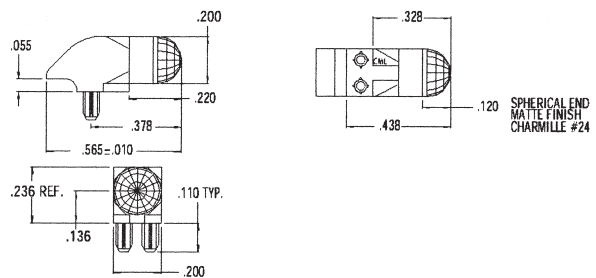


## BRIGHT★PIPES VERTICAL OPTICAL LIGHTPIPES SERIES 7611D2 AND 7611D2-S

**FEATURES:** 3/16 panel mount hole press fit design. Recommended light source CML's CMDA4 Series (Top LED) SMT LED, ESD protection (Circuit isolation from front panel) and UL 94V0 compliant. High contrast and wide viewing angle for greater visibility. Available in a variety of colours for added contrast and aesthetics.

Cat. No.	Net Price
7611D2-L	\$1.18
7611D2-S	1.12

**NOTE:** Custom Optical Light Pipes available upon request



## BRIGHT★PIPES OPTICAL LIGHTPIPES SERIES 7511G

**FEATURES:** Inserted after reflow to permit LED pad insertion prior to assembly. Recommended light source CML's CMDA5 Series (0805) SMT LED. ESD protection (Circuit isolation from front panel) and UL 94V0 compliant. Available in clear diffused and colour tint for greater on/off contrast visibility. Low profile for height constrained applications.

Cat. No.	Output Colour	Net Price
7511G2	Diffused Translucent	\$1.87
7511G1	Red Tint	1.87
7511G5	Green Tint	1.87
7511G7	Yellow Tint	1.87

**NOTE:** Custom Optical Light Pipes available upon request