

CAUTION CAUTION CAUTION
BURIED FIBER OPTIC CABLE

UNDERGROUND HAZARD TAPE

- Used to warn of buried utility lines
- Made of polyethylene film designed for direct burial—Will not biodegrade
- Non-adhesive

Cat. No.	Legend	Colour	Length	Width	Net Price
∅ HTDU20-T*	CAUTION CAUTION CAUTION TELEPHONE LINE BURIED BELOW	Orange	1000'	2"	\$154.25
∅ HTDU20-FO*	CAUTION CAUTION CAUTION BURIED FIBER OPTIC CABLE	Orange	1000'	2"	154.25
∅ HTDU30-T*	CAUTION CAUTION CAUTION TELEPHONE LINE BURIED BELOW	Orange	1000'	3"	222.79
∅ HTDU30-FO	CAUTION CAUTION CAUTION BURIED FIBER OPTIC CABLE	Orange	1000'	3"	222.79
∅ HTU60-T	CAUTION CAUTION CAUTION TELEPHONE LINE BURIED BELOW	Orange	1000'	6"	110.13
∅ HTDU60-T*	CAUTION CAUTION CAUTION TELEPHONE LINE BURIED BELOW	Orange	1000'	6"	428.47
∅ HTU60-FO	CAUTION CAUTION CAUTION BURIED FIBER OPTIC CABLE	Orange	1000'	6"	110.13
∅ HTDU60-FO*	CAUTION CAUTION CAUTION BURIED FIBER OPTIC CABLE	Orange	1000'	6"	428.47

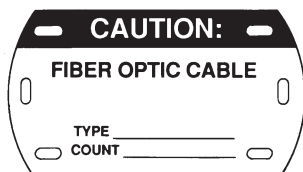
*Detachable.



GROUND WARNING TAG

Cat. No.	Legend	Net Price
∅ PT-TGND	(*) TELEPHONE COMPANY	\$43.12

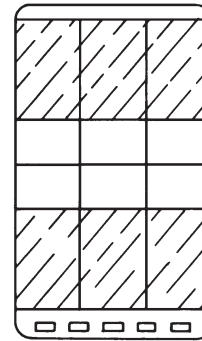
Legend: Black. Bkgrd: Yellow.
Standard Pkg. = 1 (100 tags per package).



FIBER OPTIC CABLE MARKER TAG

Cat. No.	Legend	Net Price
∅ PST-FO	CAUTION: FIBER OPTIC CABLE TYPE COUNT	\$11.87

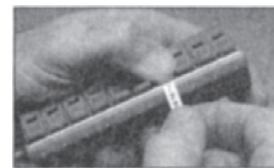
Legend: Black. Bkgrd: Yellow.
Standard Pkg. = 1 (5 tags per package).



VINYL SELF-LAMINATING WRITE-ON CABLE MARKER BOOKS

Cat. No.	Write-On Area Colour	Write-On Area L x W	Total Marker Size L x W	Total Markers Per Pkg.	Net Price
BOOKS - 10 PAGES/BOOK; 1 BOOK/PKG.					
PSCB-12	WHITE	5/8" x 1/2"	1 1/2" x 1/2"	180	\$29.91
PSCB-3	WHITE	3/4 x 1"	3" x 1"	60	29.91
PSCB-3-GRN	GREEN	3/4 x 1"	3" x 1"	60	29.91
PSCB-3-YEL	YELLOW	3/4 x 1"	3" x 1"	60	29.91
PSCB-13	WHITE	3/4" x 1 1/2"	3" x 1 1/2"	40	29.91
PSCB-5	WHITE	1" x 1"	5" x 1"	30	29.91
PSCB-6	WHITE	1" x 1"	6" x 1"	30	29.91
PSCB-6-GRN	GREEN	1" x 1"	6" x 1"	30	24.44
PSCB-16	WHITE	1" x 1 1/2"	6" x 1 1/2"	20	29.91

*Combination Pkg. (2) Pages Each: Black, Blue, Green, Red, Yellow. Lamination Colour: Clear.



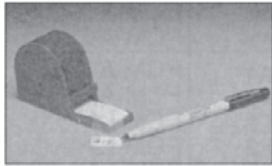
PANDUIT WIRE MARKER TAPE DISPENSERS

Loads quickly and easily. Allows tape to be cut to various lengths. PMDR-Polyester Film -40° to 266°F; In/Outdoor.

Cat. No.	Legend	Pkg. Qty.	Net Price Each		
			1-9	10-24	25-Up
∅ PMD	Empty Dispenser	1	\$16.46	\$14.85	\$13.53
∅ PMD-0-9	0 thru 9 in Dispenser	1	46.79	42.22	38.45

TAPE—UNIVERSAL SPOOL SIZE

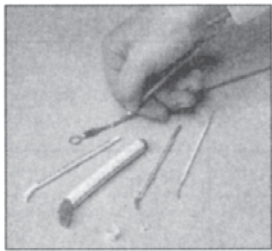
Cat. No.	Legend	Pkg. Qty.	Net Price Each		
			1-99	100-249	250-Up
∅ PMDR-A	A thru Z	10	\$2.56	\$2.30	\$2.04
∅ PMDR-Z	Z	10	2.56	2.30	2.04
∅ PMDR-0	0	10	2.56	2.30	2.04
∅ PMDR-1 thru	1 thru 9	10	2.56	2.30	2.04
∅ PMDR-9	9	10	2.56	2.30	2.04
∅ PMDR-0-9	0 thru 9 thru	1	25.78	20.53	20.53
∅ PMDR-90-99	90 thru 99	1	25.78	23.15	20.53



PANDUIT WIRE MARKER TAPE DISPENSER KIT

Kit comes with Dispenser, Pen and Tape.

Cat. No.	Description	Pkg. Qty.	Net Price Each		
			1-4	5-24	25-Up
COMPLETE KITS					
PLD-1	With PLDR-1 Tape	1	\$33.27	\$29.88	\$26.49
PLD-2	With PLDR-2 Tape	1	33.27	29.88	26.49
REPLACEMENT TAPE					
PLDR-1	1.5" x 1" for cable O.D. up to 1/4". Write-on area 3/8" x 1". (200 Markers/Roll)	1 Roll	23.16	20.80	18.44
PLDR-2	3" x 1" for cable O.D. up to 11/16". Write-on area 3/8" x 1". (200 Markers/Roll)	1 Roll	23.16	20.80	18.44



PANDUIT CLIP-ON WIRE MARKERS

Easy to install—markers snap on wire. Can be removed and reused. Supplied on application wand. PAC-Rigid Acetal -22° to 194°F; In/Outdoor.

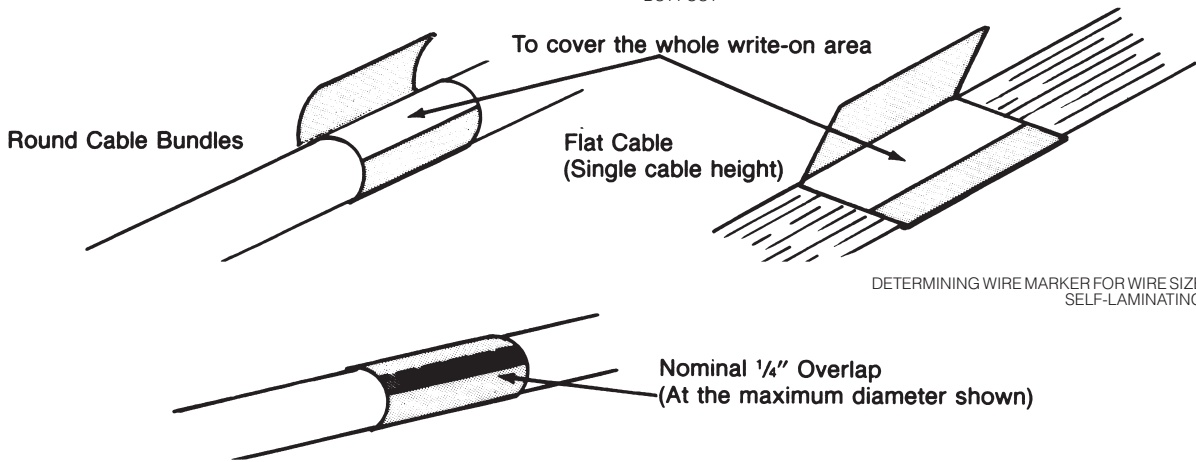
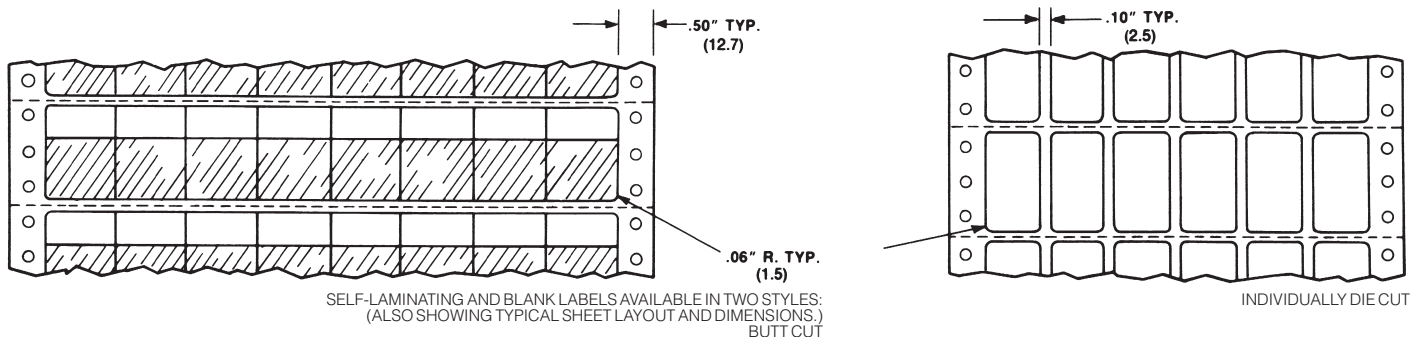
REPLACEMENT WIRE MARKERS

Cat. No.	Wire Range Inches	Markers Per Wand	Wands Per Package
07	.075 - .098	30	10
11	.110 - .130	30	10
13	.130 - 150	30	10
18	.185 - 2340	30	10
23	.234 - .267	15	4
36	.360 - 450	15	4
45	.453 - 617	15	4

NOTE: Replace 07 in Cat. No. with 11, 13, 18, 23, 36, 45 for different wire ranges. ex.: PCA07-A, PCA11-A, PCA13-A, etc.

Cat. No.	Legend	Pkg. Qty.	Net Price Each		
			1-9	10-99	100-Up
∅ PCA07-A	A Thru Z	1	\$26.00	\$23.35	\$20.70
∅ PCA07-Z		1	26.00	23.35	20.70
∅ PCA07-0	0	1	26.00	23.35	20.70
∅ PCA07-1	1 thru 9	1	26.00	23.35	20.70
∅ PCA07-9		1	26.00	23.35	20.70
∅ PCA07-PLS	+	1	26.00	23.35	20.70
∅ PCA07-MIN	-	1	26.00	23.35	20.70

Identification Products



WIRE MARKERS

Continued on next page....



SCOTCHCODE WIRE MARKER TAPE DISPENSER

Cat. No.	Description	Net Price
STD	Dispenser Only.	\$15.88
STD-0-9	Filled With Nos. 0-9	48.28
STD-C	Filled with 10 Assorted Colours*	48.28

*Blue, Black, Orange, White, Red, Violet, Green, Grey, Yellow, and Brown

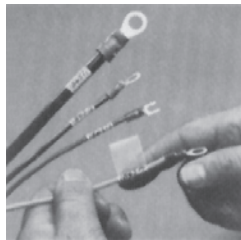
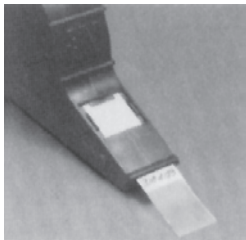
REFILL ROLLS, WHITE WITH BLACK LETTERS & NUMBERS .215 INS. x 8 FT.

Cat. No.	Printing On Roll	Net Price
SDR-0	0	\$3.05

NOTE: Replace -0 in Cat. No. with -1 thru -9, 0-9, -10-19, -20-29, -30-39, -40-49, -50-59, -60-69, -70-79, -80-89, -90-99, +, --, -A thru -Z, -L1, -L2, -L3, -T1, -T2, -T3

REFILL ROLLS, COLOR CODED .215 INS. x 8 FT.

Cat. No.	Colour	Net Price
SDR-BL	Blue	\$3.05
SDR-BK	Black	3.05
SDR-OR	Orange	3.05
SDR-WH	White	3.05
SDR-RD	Red	3.05
SDR-VL	Violet	3.05
SDR-GN	Green	3.05
SDR-GY	Grey	3.05
SDR-YL	Yellow	3.05
SDR-BN	Brown	3.05



SCOTCHCODE WRITE-ON TAPE DISPENSER

With attached ScotchCode Marking Pen write legend on the marker that appears in the window of ScotchCode Disposable Dispenser. Pull liner at the rear of the dispenser until marker clears the front of dispenser. A vinyl tape with high tack acrylic adhesive. It is conformable, durable and oil/solvent resistant. Place white surface with legend on insulation and wrap clear tail of marker overlapping legend for protection. Disposable Dispenser houses 250 useable die-cut 3/4" x 1-3/8" markers with a write-on surface 3/4" x 5/16". O.D. range of each marker is .09"-.315" (#22 AWG-#6 AWG).

Cat. No.	Description	Net Price
SWD	Disposable Dispenser with 250 Markers and Marker Pen	\$38.13
SWD-R	Dispenser Refill Roll contains 250 Markers	29.47
SMP	Replacement Pen	7.08



SCOTCH BRAND ELECTRICAL TAPE

No. 24 Shielded tape—All metal open weave shielded braid, conformable, temperature stable.

No. 27 7-mil glass cloth tape with thermosetting pressure sensitive adhesive with class B temperature range (130°C/266°F). CSA listed.

No. 33 7-mil Premium tape—flame retardant—600 volt insulation—resists ultra violet rays, abrasion, moisture, alkalis, acids and corrosion. CSA listed.

No. 35 7-mil Premium tape—8 colours—weather resistant—resists ultra violet rays, moisture, alkalis, solvents, and many acids. CSA listed.

No. 69 7-mil Edge-tear resistance, conformable, high-temperature flame-retardant adhesive, for use as coil cover, anchor for banding and core, layer and cross over insulation, PRINTABLE.

No. 70 12-mil Self-fusing silicone rubber tape—Arc & track resistant, self fusing, long lasting silicon rubber.

No. 88 8.5-mil Premium tape—flame retardant—heavy duty—weather resistant—wide temperature range (-18°C/0°F)—resists ultra violet rays, moisture, alkalis, acids and corrosion. CSA listed.

No. 130C 30-mil linerless rubber tape—self bonding—corona resistant—1000% stretch—compatible with butyl rubber, ethylene propylene rubber, polyethylene and cross linked polyethylene insulations—moisture sealing connections, up to 69KV insulation.

Colourflex 7-mil economical tape—8 colours, economical general colour coded tape.

Cat. No.	Description	Roll Size	Net Price
24-1-15	All Metal Shielded Tape	1" x 15'	\$25.26
24-1-100	All Metal Shielded Tape	1" x 100'	134.84
27-1/2-66	Glass Cloth Electrical Tape	1/2" x 66'	13.41
33-3/4-20	Vinyl Plastic Electrical Tape	3/4" x 20'	2.80
33-3/4-66	Vinyl Plastic Electrical Tape	3/4" x 66'	5.88
35-1/2-20*	Colored Vinyl Plastic Electrical Tape	1/2" x 20'	1.95
35-3/4-66*	Colored Vinyl Plastic Electrical Tape	3/4" x 66'	6.33
69-1/2-66	Glass Cloth Electrical Tape PRINTABLE	1/2" x 66'	17.10
69-3/4-66	Glass Cloth Electrical Tape PRINTABLE	3/4" x 66'	25.64
69-1-36	Glass Cloth Electrical Tape PRINTABLE	1" x 36'	55.70
70-1-30	Self-Fusing Silicon Rubber Tape	1" x 30'	47.84
70-2-1/2-36	Self-Fusing Silicon Rubber Tape	2-1/2" x 36'	125.50
70-4-36	Self-Fusing Silicon Rubber Tape	4" x 36'	155.18
88-3/4-20	Heavy Duty Vinyl Plastic Electrical Tape	3/4" x 20'	3.42
88-3/4-66	Heavy Duty Vinyl Plastic Electrical Tape	3/4" x 66'	6.56
130C-3/4-30	All-Voltage Linerless Rubber Splicing Tape (through 69KV)	3/4" x 30'	14.31
COLOURFLEX*	Economical Vinyl Tape	3/4" x 33'	.91
COLOURFLEX*	Economical Vinyl Tape	3/4" x 60'	.91

*Note: Specify colour when ordering—Red, Yellow, Blue, Brown, Grey, White, Green and Orange

TEMFLEX VINYL PLASTIC ELECTRICAL TAPE

Temflex Electrical Tape is an economically priced 7 mil tape designed for all general electrical repair. Flexible and conformable, it is flame-retardant and resistant to moisture and abrasion.

Cat. No.	Size	Net Price
Temflex	3/4" x 60'	\$7.72