



E



F



K

## "TINI-PLUG" MINIATURE PHONE PLUGS

Miniature 2-conductor phone plugs for use with "TINI-JAX" only 1/3 the size of standard phone plugs. Handle 1 1/4" overall length, are plastic or brass, nickel plated.

Cat. No.	Fig.	Handle	Ter-minals	Net Price Each			
				1-9	10-99	100-499	500-Up
740	E	Black	Screw	\$9.54	\$4.76	\$3.34	\$2.47
745	E	Red	Screw	9.54	4.76	3.34	2.47
750	E	Black	Solder	9.31	4.66	3.25	2.41
755	E	Red	Solder	9.31	4.66	3.25	2.41
770	E	Shielded	Screw	13.47	6.74	4.71	3.48
780	E	Shielded	Solder	12.57	6.29	4.41	3.26

## "MICRO-PLUG" SUB-MINIATURE PHONE PLUGS

Sub-miniature 2-conductor phone plugs, only 1 1/64" long; 1/4" O.D., .097" dia. sleeve. Mate with No. TR2A. Have screw-on handles in black, red or natural anodized aluminum; accommodates cables up to 1/64" dia. All plugs have integral cable clamps.

Cat. No.	Fig.	Handle	Net Price Each			
			1-9	10-99	100-499	500-Up
850	F	Black anodize	\$9.43	\$4.71	\$3.30	\$2.43
855	F	Red anodize	9.43	4.71	3.30	2.43
880	F	Natural anodize	9.43	4.71	3.30	2.43



K



L



M



P



R

## PHONO JACKS AND PLUGS

Low cost 2-cond. jacks and plugs for record players, FM-AM tuners, tape recorders, test equipment, etc. **3501MC** has 3/8" O.D. shell and cable clamp. **3501FP** for front panel mount in 1/4" hole, in panels up to 1/8" thick. **3501FR** for rear panel mount in 3/8" hole, in panels up to 1 1/64" thick. **3502** has unique cable clamp with 1 3/32" O.D. shielded removable handle. 3503 ext. jack has shielded removable handle, 1 3/32" O.D. with cable clamp. **3558 Series**, new color coded phono plugs with cable clamp and "snap-on" plastic handles in Red, Black, and White.

Cat. No.	Fig.	Description	Net Price Each		
			1-9	10-99	100-Up
3501F	K	Chassis jack	\$4.60	\$3.44	\$2.31
3501M	—	Plug, less cable clamp	2.56	1.16	.78
3501MC	L	Plug with cable clamp	5.24	2.36	1.56
3501FR	—	Chassis jack	4.26	3.22	2.12
3501FP	M	Chassis jack	5.39	2.69	1.88
3502	N	Plug	5.84	2.92	2.05
3503	P	Extension jack	8.42	4.22	2.94
3558-1	R	Plug, red handle	4.49	3.37	2.25
3558-2	R	Plug, black handle	4.49	3.37	2.25
3558-5	R	Plug, white handle	4.49	3.37	2.25



LL



MM



N

## "RF-JAX" PHONO JACKS AND "RF-PLUG" PHONO PLUGS

Standard phono jacks and plugs with nylon insulation. For use in radio frequency applications—low cost, max. insulation resistance. No. **3504M**, 3/8" O.D. No. **3505F** mounts front of panel in 3/8" hole—fits panel up to 1 1/64" thick. No. **3507** has 1 3/32" O.D. shielded, screw-on handle with cable clamp.

Cat. No.	Fig.	Description	Net Price Each			
			1-9	10-99	100-499	500-Up
3504M	LL	Plug	\$4.86	\$2.21	\$1.47	\$1.00
3505F	MM	Chassis jack	6.74	3.37	2.36	1.74
3507	N	Plug	8.42	4.22	2.94	2.17



3502RA

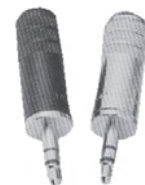


3502A

## HEAVY-DUTY PHONE PLUGS

The 3502A series feature a solder cup on a solid center conductor for fast, easy termination. Its large cable clamp provides better strain relief for larger cables and a longer cable clamp for easier plug assembly. Longer Knurled handles allow for easier gripping. These plugs can be used in audio, consumer electronic equipment, broadcast studios, home recording equipment, audio cable assembly manufacturers, instrumentation, and test equipment. Current carry @ working voltage: 6 amps. Dielectric withstand voltage: 500VAC. Contact resistance: <0.020 ohms. Insulation resistance @ 500VDC: 2,000 megohms (min.).

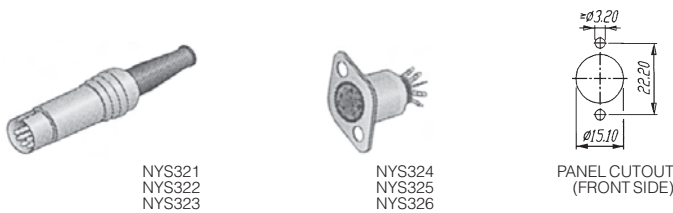
Cat. No.	Description	Net Price Each		
		1-9	10-99	100-Up
<b>STRAIGHT PLUGS</b>				
3502A	Nickel-plated plug finger and handle	\$5.84	\$2.92	\$2.05
3502AAU	Gold-plated plug finger and nickel plated handle	7.41	3.72	2.60
3502ABAU	Gold-plated plug finger and black epoxy finished handle	8.42	4.22	2.94
<b>RIGHT ANGLE PLUGS</b>				
3502RA	Nickel-plated plug finger and handle	13.47	6.74	4.71
3502RAAU	Gold-plated plug finger and nickel plated handle	14.59	7.31	5.11
3502RABAU	Gold-plated plug finger and black epoxy finished handle	15.83	7.91	5.54



## SWITCHCRAFT 3.5MM HEAVY-DUTY STEREO PLUG

**FEATURES AND BENEFITS:** One piece tip rod with flat for easy solderability. Compliments current line of 3.5mm jacks, 35RAP Series. Insert molded plug finger. Heavy duty cable clamp provides better strain relief for larger cables. Longer cable clamp for easier plug assemble and more room for solder connections. Knurl on the back of handle provides ergonomic gripping surface to tighten plug. Tubular insulator included to prevent solder joints from contacting handle. Longer handle for improved gripping surface and easy plug withdrawal from jack. Large solder terminals for easy solderability. **SPECIFICATIONS:** Contact resistance: <0.020 ohms. Dielectric withstand voltage: 250VAC (min.). Insulation resistance @ 500VDC: 2,000 megohms (min.). Working voltage: 250VAC, 140VDC. Current carry @ working voltage: 4 amps. Temperature range: 0°C to 66°C. Life: 5000 cycles. Maximum cable size: 250" dia. Solder terminals. Copper alloy, tin-plate. Tubular insulation: Clear plastic. Overall length: 1.700" (43.18mm). Width: Ø.406" (Ø10.31).

Cat. No.	Description	Net Price
<b>STRAIGHT PLUGS</b>		
35HDBN	Black handle, nickel plug	\$13.92
35HDBAU	Black handle, gold plug	15.71
35HDNN	Nickel handle, nickel plug	13.92
35HDNAU	Nickel handle, gold plug	15.71
<b>RIGHT ANGLE PLUGS</b>		
35HDRANN	Nickel handle, nickel plug	22.78
35HDRABAU	Black handle, gold plug	31.65
35HDRANAU	Nickel handle, gold plug	31.65



## NEUTRIK REAN DIN CONNECTORS

Contact resistance:  $\leq 10$  m $\Omega$ . Insulation resistance:  $\geq 5$ -10 m $\Omega$ . Dielectric strength: 500V rms. Temperature range:  $-25^{\circ}\text{C}$  to  $+70^{\circ}\text{C}$ .

Cat. No.	Pole	Description	Net Price Each	
			1-49	50-Up
<b>NYS321*</b>	3	Male DIN plug, shell turned brass, nickel finish, flexible strain relief, contacts silver plated.	<b>\$2.02</b>	<b>\$1.01</b>
<b>NYS322*</b>	5	Same as NYS321 above only 180°	<b>2.06</b>	<b>1.03</b>
<b>NYS323*</b>	7	Same as NYS321 above	<b>2.21</b>	<b>1.10</b>
<b>NYS324</b>	3	Female receptacles, stamped housing with nickel plated finish. Silver plated contacts. Complete shielding by ground contacts.	<b>.79</b>	<b>.40</b>
<b>NYS325</b>	5	Same as NYS324 above only 180°	<b>.94</b>	<b>.47</b>
<b>NYS326</b>	7	Same as NYS324 above	<b>1.13</b>	<b>.56</b>

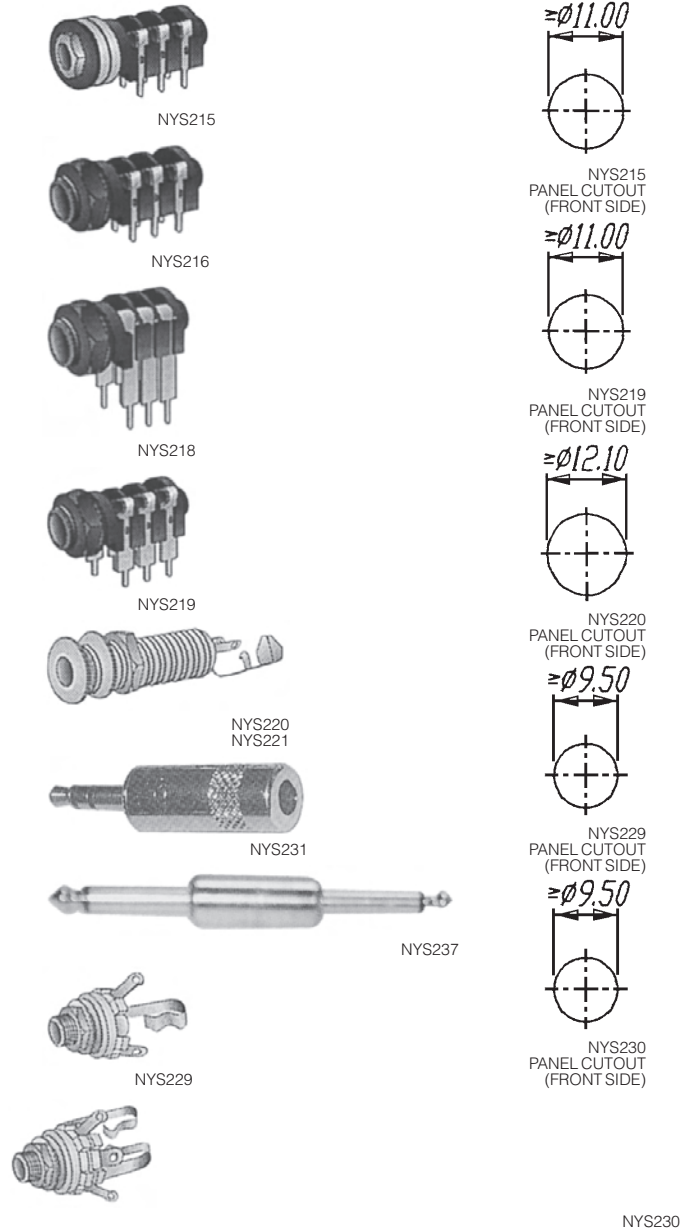
\*NOTE: Add "G" to Cat. No. for gold plated contacts.



## NEUTRIK REAN RCA PHONO TYPES

Perfect phono plug. All metal. Phono receptacle, for PCB mounting. Phono to phono female adapter.

Cat. No.	Pole	Description	Net Price Each	
			1-49	50-Up
<b>NYS352</b>	2	Metal RCA plug	<b>\$1.15</b>	<b>\$58</b>
<b>NYS352AG</b>	2	Metal RCA plug—gold plated contact and handle	<b>3.07</b>	<b>1.54</b>
<b>NYS352BG</b>	2	Metal RCA plug—gold plated contacts, black plated handle	<b>2.06</b>	<b>1.03</b>
<b>NYS352G</b>	2	Metal RCA plug—gold plated contacts	<b>2.06</b>	<b>1.03</b>
<b>NYS355</b>	2	Metal RCA jack to jack adapter	<b>1.32</b>	<b>.66</b>
<b>NYS354</b>	2	Metal RCA PCB type	<b>.50</b>	<b>.25</b>
<b>NYS367-0</b>	2	RCA chassis jack, gold plated, black	<b>2.76</b>	<b>1.38</b>
<b>NYS367-2</b>	2	RCA chassis jack, gold plated, red	<b>2.76</b>	<b>1.38</b>
<b>NYS367-4</b>	2	RCA chassis jack, gold plated, yellow	<b>2.76</b>	<b>1.38</b>
<b>NYS367-5</b>	2	RCA chassis jack, gold plated, green	<b>2.76</b>	<b>1.38</b>
<b>NYS367-6</b>	2	RCA chassis jack, gold plated, blue	<b>2.76</b>	<b>1.38</b>
<b>NYS367-9</b>	2	RCA chassis jack, gold plated, white	<b>2.76</b>	<b>1.38</b>
<b>NYS373-0</b>	2	Metal RCA plug—gold plated contacts, black connector with black ring	<b>2.66</b>	<b>1.33</b>
<b>NYS373-2</b>	2	Metal RCA plug—gold plated contacts, black connector with red ring	<b>2.67</b>	<b>1.34</b>
<b>NYS373-4</b>	2	Metal RCA plug—gold plated contacts, black connector with yellow ring	<b>2.67</b>	<b>1.34</b>
<b>NYS373-5</b>	2	Metal RCA plug—gold plated contacts, black connector with green ring	<b>2.67</b>	<b>1.34</b>
<b>NYS373-6</b>	2	Metal RCA plug—gold plated contacts, black connector with blue ring	<b>2.67</b>	<b>1.34</b>
<b>NYS373-9</b>	2	Metal RCA plug—gold plated contacts, black connector with white ring	<b>2.67</b>	<b>1.34</b>
<b>NYS374</b>	2	Metal high quality RCA plug—machined, gold plated	<b>3.08</b>	<b>2.46</b>



## NEUTRIK CHINA 1/4" JACKS

Contact resistance:  $\leq 10$  m $\Omega$ . Insulation resistance:  $\geq 2$ -10 m $\Omega$ . Dielectric strength: 500VDC. Temperature range:  $-10^{\circ}\text{C}$  to  $+70^{\circ}\text{C}$ .

Cat. No.	Pole	Description	Net Price Each	
			1-49	50-Up
<b>NYS215</b>	3	ABS 1/4" stereo jack socket, all contacts switched, metal ferrule, plastic decorative washer, PC mount, 8.2mm	<b>\$ .98</b>	<b>\$ .49</b>
<b>NYS216</b>	3	ABS 1/4" stereo jack socket, all contacts switched, plastic nut and washers, PC-mount, 8.2mm	<b>.77</b>	<b>.38</b>
<b>NYS218</b>	3	Same as NYS215 above, but 15mm	<b>.79</b>	<b>.40</b>
<b>NYS219</b>	3	Same as NYS215 above, but 12.5mm	<b>.79</b>	<b>.40</b>

Continued on next page....