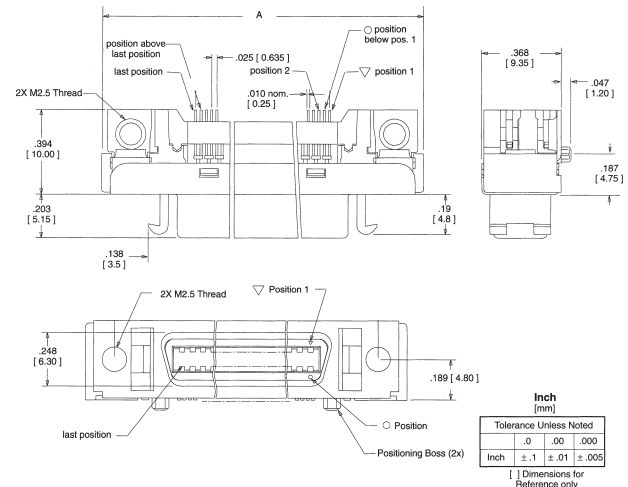


MOLDED PCT BODY 102 SERIES

Ground lock board retention. Panelmount thread sizes M2.5 and 4-40UNC. Panelmount screws ordered separately.

Cat. No.	No. of Positions	Thread	Screws	Dim. C	Net Price
10214-55G3VC	14	M2.5	3344-38	1.16 (29.6)	\$7.31
10220-55G3VC	20	M2.5	3344-38	1.31 (33.4)	6.47
10226-55G3VC	26	M2.5	3344-38	1.46 (37.2)	7.02
10236-55G3VC	36	M2.5	3344-38	1.71 (43.5)	7.71
10240-55G3VC	40	M2.5	3344-38	1.81 (46.1)	9.55
10250-55H3VC	50	4-40	3344-44	2.06 (52.5)	9.05

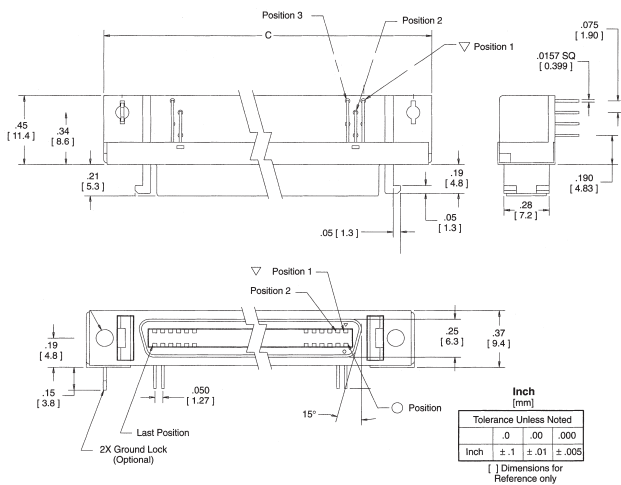
NOTE: Must order panel mount screws: 3344-38 for M2.5 or 3344-44 for #4-40.



SURFACE MOUNT RIGHT ANGLE RECEPTACLES

Ultra-low signal skew design for high data rate transmission. **MATERIALS:** Insulator is hi-temp, beige PCT material UL94V-0 rated. Body is molded PCT. Contacts are copper alloy with 20µm gold plating over 80µm nickel. Shroud and latch hook are steel with nickel plating. **OPERATING TEMPERATURE:** -55°C to +105°C, SMT compatible up to 240°C peak for short durations. **CURRENT RATING:** 1 amp.

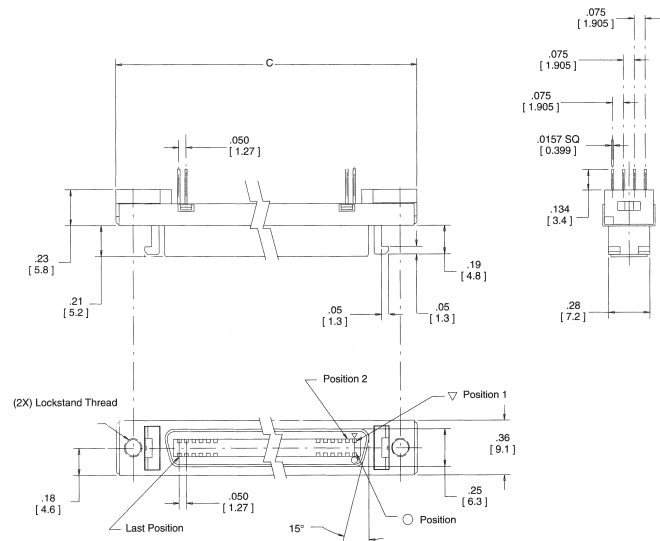
Cat. No.	No. of Positions	Dim. A	Net Price
10214-1210VE	14	1.16 (29.5)	\$12.66
10220-1210VE	20	1.32 (33.4)	12.95
10226-1210VE	26	1.50 (38.2)	13.46
10240-1210VE	40	1.85 (47.1)	15.56
10250-1210VE	50	2.06 (52.4)	16.28



CAST ZINC BODY N102 SERIES

Screw or ground lock board retention. Panelmount thread sizes M2.5 and 4-40UNC. Panelmount screws ordered separately.

Cat. No.	No. of Positions	Panel Retention	Board Retention	Dim. C	Net Price
N10214-52B2VC	14	M2.5	Ground lock	1.16 (29.5)	\$11.76
N10220-52B2VC	20	M2.5	Ground lock	1.31 (33.4)	12.12
N10226-52B2VC	26	M2.5	Ground lock	1.46 (37.2)	12.48
N10236-52B2VC	36	M2.5	Ground lock	1.71 (43.5)	13.28
N10240-52B2VC	40	M2.5	Ground lock	1.81 (46.1)	13.71
N10250-52E2VC	50	4-40	Ground lock	2.06 (52.4)	15.16
N10268-52E2VC	68	4-40	Ground lock	2.51 (63.8)	18.49
N10280-52E2VC	80	4-40	Ground lock	2.81 (71.5)	20.88



THRU-HOLE VERTICAL RECEPTACLES

Rugged die-cast metal lockstand. Screw lockdown board retention. **MATERIALS:** Insulator is black glass-reinforced polyester UL94V-0 rated. Body is cast zinc. Contacts are copper alloy with 30µm gold plating over 80µm nickel. Shroud and latch hook are steel with nickel plating. **TEMPERATURE RATING:** -20°C to +85°C. **CURRENT RATING:** 1 amp.

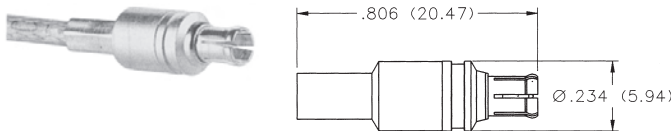
Cat. No.	No. of Positions	Lockstand Thread	Dim. C	Net Price
10214-6212VC	14	M2.5	1.16 (29.5)	\$7.60
10220-6212VC	20	M2.5	1.31 (33.4)	7.96
10226-6212VC	26	M2.5	1.46 (37.2)	8.25
10236-6212VC	36	M2.5	1.71 (43.5)	8.50
10268-6212VC	68	M2.5	2.51 (63.8)	11.00
102A0-6212VC	100	M2.5	3.31 (84.2)	15.85

NOTE: Also available in 40, 50, and 80 position.

MCX 75 Ohm Coaxial Connectors

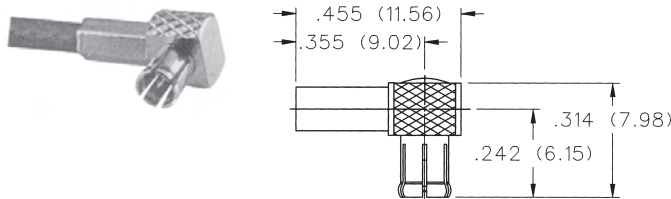
ELECTRICAL RATINGS/MATERIAL SPECIFICATIONS:

Impedance: 75 ohms
Frequency Range: 0-6 GHz
Working Voltage: 330 Vrms maximum at sea level
Dielectric Withstanding Voltage: 1000 Vrms minimum at sea level with RG-179 cable
Insulation Resistance: 1000 megohms minimum
Contacts: Male—Brass per QQ-B-626
 Female—Beryllium copper per QQ-C-530
 PTFE fluorocarbon per ASTM D 1710 and ASTM D 1457
Insulators: Brass per QQ-B-626
Mounting Hardware: Centre contacts—Gold per MIL-G-45204
Finish: .00003" min.
 Bodies and Mounting Hardware—Gold per MIL-G-45204 .00001" min. Or Nickel per QQ-N-290



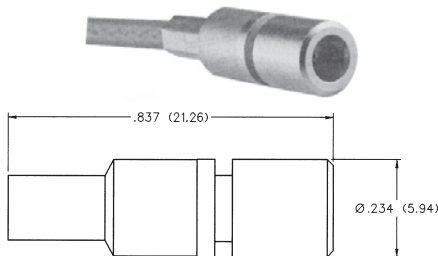
MCX 75 OHM STRAIGHT CRIMP TYPE PLUG—SOLDER OR CRIMP CAPTIVATED CONTACT

Cat. No.	Cable Type	Plating	Net Price Each	
			1-49	50-Up
133-8433-001	RG-179	Gold	\$20.74	\$11.06
133-8434-001	RG-179DS	Gold	20.74	11.06
133-8445-001	Belden 735A	Gold	21.54	11.48



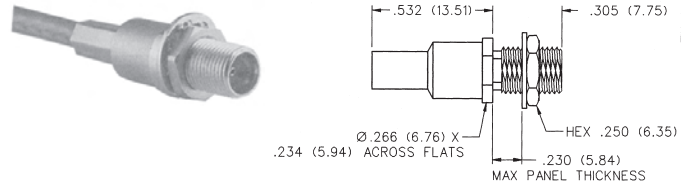
MCX 70 OHM RIGHT ANGLE CRIMP TYPE PLUG—CAPTIVATED CONTACT

Cat. No.	Cable Type	Plating	Net Price Each	
			1-49	50-Up
133-8433-101	RG-179	Gold	\$13.34	\$6.08
133-8434-101	RG-179DS	Gold	13.34	6.08
133-8445-101	Belden 735A	Gold	16.57	10.02



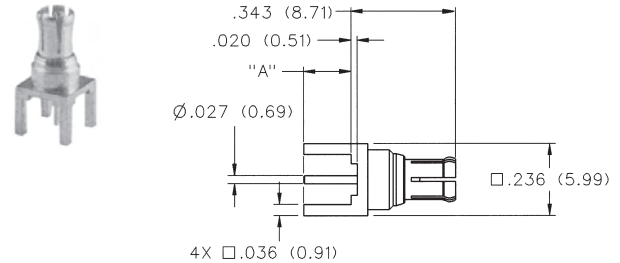
MCX 75 OHM STRAIGHT CRIMP TYPE JACK—SOLDER OR CRIMP CAPTIVATED CONTACT

Cat. No.	Cable Type	Plating	Net Price Each	
			1-49	50-Up
133-8333-001	RG-179	Gold	\$24.66	\$11.22
133-8334-001	RG-179DS	Gold	24.29	11.06



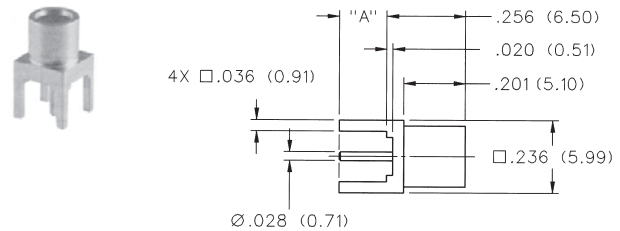
MCX 75 OHM STRAIGHT CRIMP TYPE BULKHEAD JACK—SOLDER OR CRIMP CAPTIVATED CONTACT

Cat. No.	Cable Type	Plating	Net Price Each	
			1-49	50-Up
133-8333-401	RG-179	Gold	\$26.82	\$12.21
133-8334-401	RG-179DS	Gold	26.82	12.21



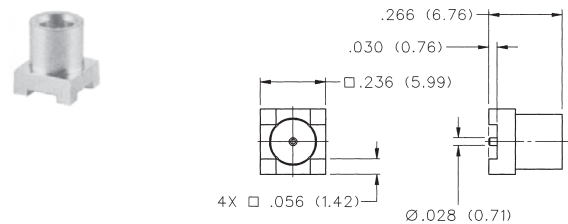
MCX 75 OHM STRAIGHT PLUG RECEPTACLE

Cat. No.	Dim. "A" Inches (mm)	Plating	Net Price Each	
			1-49	50-Up
133-8801-201	.155 (3.80)	Gold	\$16.70	\$7.63
133-8801-221	.110 (2.70)	Gold	00.00	00.00



MCX 75 OHM STRAIGHT JACK RECEPTACLE

Cat. No.	Dim. "A" Inches (mm)	Plating	Net Price Each	
			1-49	50-Up
133-8701-201	.155 (3.80)	Gold	\$17.61	\$9.39
133-8701-211	.110 (2.70)	Gold	11.13	5.94



MCX 75 OHM SURFACE MOUNT JACK RECEPTACLE

Cat. No.	Net Price Each	
	1-49	50-Up
133-8711-201	\$13.10	\$8.05

Cat. No.	Net Price Per Reel	
	1-5	6-Up
133-8711-202	\$5123.25	\$3093.57

NOTE: 750 pieces per reel.