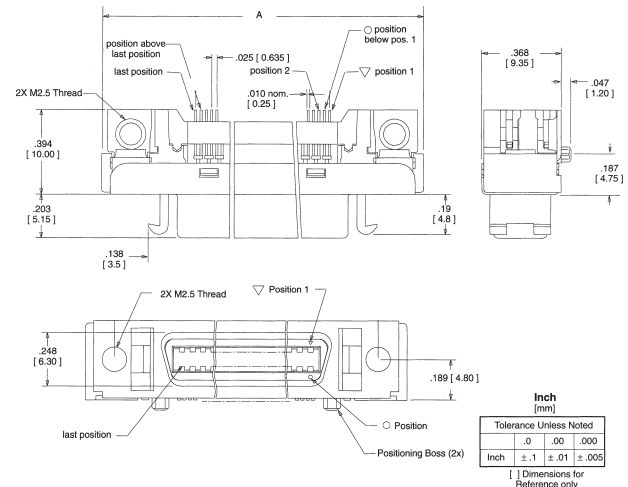


MOLDED PCT BODY 102 SERIES

Ground lock board retention. Panelmount thread sizes M2.5 and 4-40UNC. Panelmount screws ordered separately.

Cat. No.	No. of Positions	Thread	Screws	Dim. C	Net Price
10214-55G3VC	14	M2.5	3344-38	1.16 (29.6)	\$7.31
10220-55G3VC	20	M2.5	3344-38	1.31 (33.4)	6.47
10226-55G3VC	26	M2.5	3344-38	1.46 (37.2)	7.02
10236-55G3VC	36	M2.5	3344-38	1.71 (43.5)	7.71
10240-55G3VC	40	M2.5	3344-38	1.81 (46.1)	9.55
10250-55H3VC	50	4-40	3344-44	2.06 (52.5)	9.05

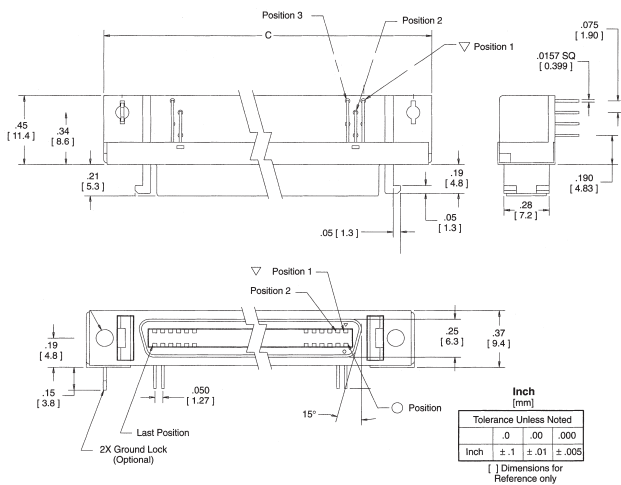
NOTE: Must order panel mount screws: 3344-38 for M2.5 or 3344-44 for #4-40.



SURFACE MOUNT RIGHT ANGLE RECEPTACLES

Ultra-low signal skew design for high data rate transmission. **MATERIALS:** Insulator is hi-temp, beige PCT material UL94V-0 rated. Body is molded PCT. Contacts are copper alloy with 20µm gold plating over 80µm nickel. Shroud and latch hook are steel with nickel plating. **OPERATING TEMPERATURE:** -55°C to +105°C, SMT compatible up to 240°C peak for short durations. **CURRENT RATING:** 1 amp.

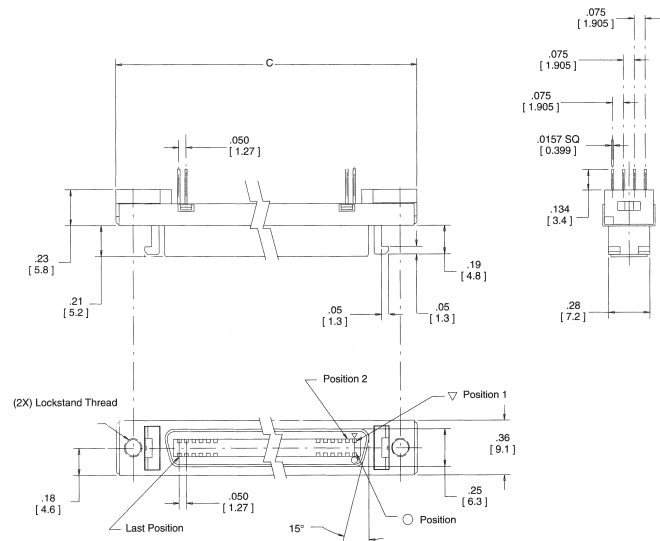
Cat. No.	No. of Positions	Dim. A	Net Price
10214-1210VE	14	1.16 (29.5)	\$12.66
10220-1210VE	20	1.32 (33.4)	12.95
10226-1210VE	26	1.50 (38.2)	13.46
10240-1210VE	40	1.85 (47.1)	15.56
10250-1210VE	50	2.06 (52.4)	16.28



CAST ZINC BODY N102 SERIES

Screw or ground lock board retention. Panelmount thread sizes M2.5 and 4-40UNC. Panelmount screws ordered separately.

Cat. No.	No. of Positions	Panel Retention	Board Retention	Dim. C	Net Price
N10214-52B2VC	14	M2.5	Ground lock	1.16 (29.5)	\$11.76
N10220-52B2VC	20	M2.5	Ground lock	1.31 (33.4)	12.12
N10226-52B2VC	26	M2.5	Ground lock	1.46 (37.2)	12.48
N10236-52B2VC	36	M2.5	Ground lock	1.71 (43.5)	13.28
N10240-52B2VC	40	M2.5	Ground lock	1.81 (46.1)	13.71
N10250-52E2VC	50	4-40	Ground lock	2.06 (52.4)	15.16
N10268-52E2VC	68	4-40	Ground lock	2.51 (63.8)	18.49
N10280-52E2VC	80	4-40	Ground lock	2.81 (71.5)	20.88

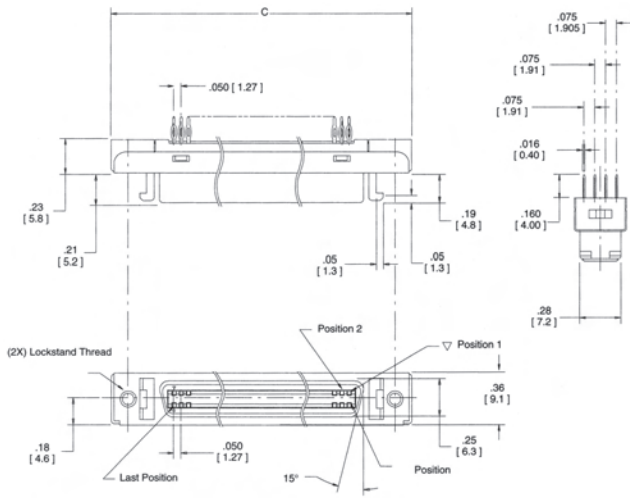


THRU-HOLE VERTICAL RECEPTACLES

Rugged die-cast metal lockstand. Screw lockdown board retention. **MATERIALS:** Insulator is black glass-reinforced polyester UL94V-0 rated. Body is cast zinc. Contacts are copper alloy with 30µm gold plating over 80µm nickel. Shroud and latch hook are steel with nickel plating. **TEMPERATURE RATING:** -20°C to +85°C. **CURRENT RATING:** 1 amp.

Cat. No.	No. of Positions	Lockstand Thread	Dim. C	Net Price
10214-6212VC	14	M2.5	1.16 (29.5)	\$7.60
10220-6212VC	20	M2.5	1.31 (33.4)	7.96
10226-6212VC	26	M2.5	1.46 (37.2)	8.25
10236-6212VC	36	M2.5	1.71 (43.5)	8.50
10268-6212VC	68	M2.5	2.51 (63.8)	11.00
102A0-6212VC	100	M2.5	3.31 (84.2)	15.85

NOTE: Also available in 40, 50, and 80 position.



PRESS-FIT VERTICAL RECEPTACLES

Designed for use as I/O ports in backplanes, mid-planes, or any application where solderless placement of interconnects is preferred. Eye of the needle contact design. Rugged die-cast metal lockstand. **MATERIALS:** Insulator is black glass reinforced polyester UL94V-0 rated. Body is cast zinc. Contacts are copper alloy with 30µ" gold plating over 80µ" nickel. Shroud and latch hook are steel with nickel plating. **TEMPERATURE RATING:** -20°C to +85°C. **CURRENT RATING:** .5 amps.

Cat. No.	No. of Positions	Lockstand Thread	PCB Hole	Dim. C	Net Price
10214-R21CS	14	M2.5	Cu/pre flux	1.16 (29.5)	\$15.11
10226-R21CS	26	M2.5	Cu/pre flux	1.46 (37.2)	15.20
10236-R21CS	36	M2.5	Cu/pre flux	1.71 (43.5)	15.99
10268-R21CS	68	M2.5	Cu/pre flux	2.51 (63.8)	18.45

NOTE: Also available in 40, 50, and 80 position.

electro sonic

Electro Sonic
appreciates your business

1-800-56-SONIC

www.e-sonic.com

info@e-sonic.com

3M I/O MINI DELTA RIBBON (MDR) BOARDMOUNT PLUGS



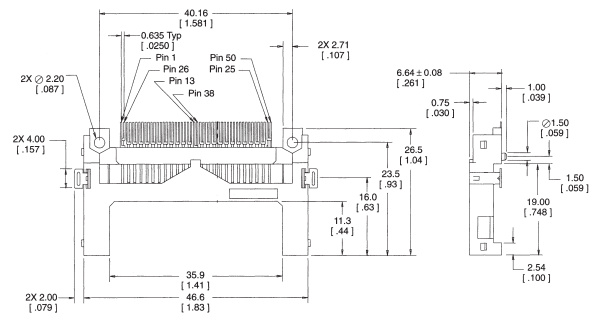
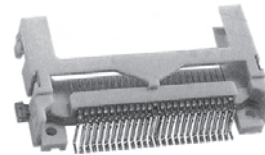
THRU-HOLE, RIGHT-ANGLE—SHIELDED

Rugged die cast metal lockstand. Screw or ground lock PCB lockdown. Normal and reverse "D" shell options for board to board flexibility. IEEE 1284 interface (36pin). Ribbon type contact. **MATERIALS:** Insulator is black glass reinforced polyester UL94V-0 rated. Body is zinc alloy with nickel plating. Contacts are copper alloy with 30µ" gold plating over 80µ" nickel. Ground plate is copper alloy with nickel plating. **TEMPERATURE RATING:** -20°C to +85°C. **CURRENT RATING:** 1 amp.

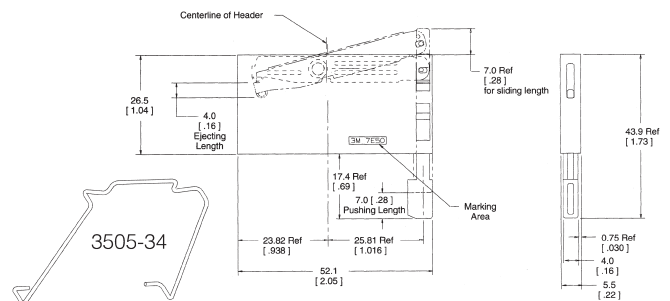
Cat. No.	No. of Positions	Mounting	Panel/Board Retention	Net Price
10120-52B2VC	20	Normal	M2.5/ground lock	\$23.73
10126-52B2VC	26	Normal	M2.5/ground lock	24.60
10136-52B2VC	36	Normal	M2.5/ground lock	25.51
10150-52E2VC	50	Normal	M2.5/ground lock	26.23

3M COMPACT FLASH™

3M offers a full line of Type 1 and Type II components and accessories for Compact Flash™ cards—headers, ejectors, and adapters—a total interconnect solution from a single source. All 3M CF interconnects meet CFA standards.



N7E50-7516VU-20



D7E50-7316-03

Continued on next page....