

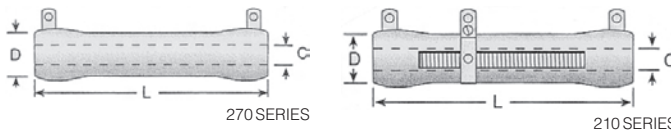
# Ohmite Power Resistors

## STOCKING RESISTANCE VALUES

Series	Value (Codes)
SM102-J	100K (1003); 2M (2004); 5M (5004); 50M
SM102-F	10M (1005); 100M (1006); 1000M (1007)
SM104-J	100M (1006)
SM104-F	10M (1005); 100M (1006)
SM106-F	2M (2004)
SM204-J	1M (1004)
SM204-F	10M (1005)

Cat. No.	Tol.	Power Rating	Voltage Rating	Resistance Range	Net Price	
					1-9	10-49
SM10203(Code)-J	±5%	1.0	5.0kV	200-5000M	\$4.32	\$3.60
SM10203(Code)-F	±1%	1.0	5.0kV	200-5000M	4.51	3.76
SM10403(Code)-J	±5%	1.5	10kV	500-5000M	4.47	3.73
SM10403(Code)-F	±1%	1.5	10kV	500-5000M	5.05	4.21
SM10603(Code)-F	±1%	2.0	15kV	750-5000M	5.48	4.56
SM20403(Code)-J	±5%	2.0	10kV	1K-5000M	6.52	5.43
SM20403(Code)-F	±5%	2.0	10kV	1K-5000M	7.44	6.20

**NOTE:** RoHS Compliant. For resistance value replace "Code" (ex: 33JCodeE) in Cat. No. with value from Stocking Resistance Value Chart.



## VITREOUS ENAMEL POWER WIREWOUND RESISTORS

**FEATURES:** Terminals suitable for soldering or bolt connection. High wattage applications. Rugged vitreous enamel coating. Flame resistant coating. All-welded construction. Tolerance: 5% for 270 Series fixed resistors, 10% for 210 Series adjustable resistors.

## SPECIFICATIONS AND DIMENSIONS

Series	Watts	"L" (Length) mm	Dia. mm	"C" Core mm	Voltage	Bracket (Not Included)
D12/L12	12	44.4	7.94	4.76	565	5
D25/L25	25	50.8	14.3	7.94	625	9
D50/L50	50	101.6	14.3	7.94	1625	9
D100/L100	100	165.1	19.1	12.7	2845	12
D175/L175	175	215.9	28.6	19.1	3595	18
D225/L225	225	266.7	28.6	19.1	4595	18

## STOCKING RESISTANCE VALUES

Series	Value (Codes)
L25	1R0; 2R0; 3R0; 4R0; 5R0; 10R; 25R; 50R; 75R; 100; 150; 250; 500; 1K0; 1K5; 2K0; 2K5; 5K0; 10K; 25K; 50K; 100K
L50	1R0; 2R0; 3R0; 4R0; 5R0; 10R; 25R; 50R; 75R; 100; 150; 250; 500; 1K0; 1K5; 2K0; 2K5; 5K0; 10K; 25K; 50K; 100K
L100	1R0; 2R0; 3R0; 4R0; 5R0; 10R; 25R; 50R; 75R; 100; 150; 250; 500; 1K0; 1K5; 2K0; 2K5; 5K0; 10K; 25K; 50K; 100K
L175	1R0; 5R0; 10R; 25R; 50R; 75R; 100; 150; 250; 500; 1K0
L225	1R0; 4R0; 5R0; 10R; 25R; 50R; 75R; 100; 150; 250; 500; 1K0; 5K0; 10K; 100K
D12	10R; 50R; 100; 500; 1K0; 5K0
D25	1R0; 2R0; 5R0; 10R; 25R; 50R; 75R; 100; 250; 500
D50	1R0; 2R0; 3R0; 5R0; 10R; 25R; 50R; 100; 400; 500; 1K0; 5K0; 10K; 20K
D100	1R0; 2R0; 5R0; 20R; 25R; 50R; 100; 250; 500; 1K0; 5K0
D175	5R0; 10R; 25R; 50R; 100; 250; 500
D225	1R0; 2R0; 3R0; 5R0; 10R; 25R; 50R; 100; 250; 500; 1K0; 5K0

Cat. No.	Power Rating (W)	Resistance Range	Net Price		
			1-24	25-99	100-Up
<b>270 SERIES FIXED POWER RESISTORS</b>					
L25J1R0CodeJE	25	1.0	\$5.99	\$5.09	\$4.19
L25J-Code	25	2.0-5.0	6.17	5.25	4.32
L25J-Code	25	10-750	5.88	4.99	4.11
L25J-Code	25	1K-3K	6.16	5.23	4.31
L25J-Code	25	4K-5K	6.22	5.28	4.36
L25J-Code	25	10K-30K	7.46	6.34	5.22
L25J50K	25	50K	8.01	6.81	5.61
L25J100K	25	100K	8.55	7.26	5.99
L50J1R0	50	1.0	9.23	7.84	6.47
L50J-Code	50	2.0-5.0	8.65	7.36	6.06
L50J-Code	50	10-800	8.49	7.21	5.94
L50J-Code	50	1K-8K	8.41	7.15	5.89

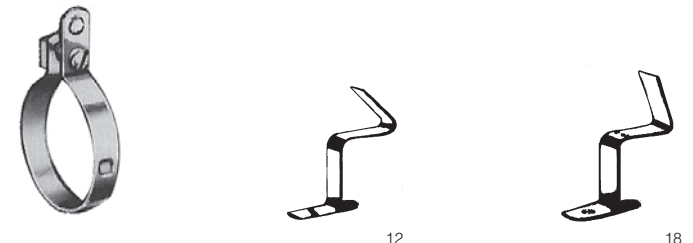
**NOTE:** RoHS Compliant. For resistance value replace "Code" (ex: 33JCodeE) in Cat. No. with value from Stocking Resistance Value Chart. For other resistance values, please contact your Electro Sonic sales representative.

Cat. No.	Power Rating (W)	Resistance Range	Net Price Each		
			1-24	25-99	100-Up
<b>270 SERIES FIXED POWER RESISTORS</b>					
L50J-Code	50	10K-20K	\$8.97	\$7.62	\$6.29
L50J-Code	50	25K-75K	12.73	10.83	8.91
L50J100K	50	100K	13.01	11.06	9.10
L100J-Code	100	1.0-2.0	12.70	10.80	9.53
L100J-Code	100	3.0-5.0	12.21	10.39	9.17
L100J-Code	100	10-75	11.57	9.84	8.68
L100J-Code	100	100-750	11.31	9.62	8.49
L100J-Code	100	1K-7K5	10.88	9.24	8.16
L100J-Code	100	10K-30K	11.21	9.53	8.41
L100J-50K	100	50K	13.89	11.80	10.41
L100J100K	100	100K	16.51	14.03	12.38
L175J1R0	175	1.0	25.07	22.50	20.06
L175J-Code	175	5.0-75	17.29	15.57	13.83
L175J-Code	175	100-1K	15.62	14.06	12.50
L225J1R0	225	1.0	36.06	32.46	28.85
L225J2R0	225	2.0	25.97	23.37	20.78
L225J-Code	225	3.0-5.0	20.89	18.81	16.71
L225J-Code	225	10-100	18.13	16.32	14.50
L225J-Code	225	150-750	17.29	15.57	13.83
L225J-Code	225	1K-5K	16.71	15.04	13.37
L225J-Code	225	7K5-30K	17.36	15.62	13.89
L225J100K	225	100K	20.31	18.28	16.25

## 210 SERIES ADJUSTABLE POWER RESISTORS

D12K-Code	12	10-200	9.73	8.27	6.81
D12K-Code	12	250-750	10.07	8.56	7.05
D25K-Code	25	1.0-2.0	9.84	8.36	6.89
D25K-Code	25	5.0-500	9.77	8.31	6.84
D25K-Code	25	750-4K5	10.11	8.59	7.07
D25K-Code	25	5K-10K	10.67	9.08	7.47
D50K-Code	50	1.0-3.0	16.33	13.89	11.43
D50K5R0	50	5.0	16.03	13.63	11.22
D50K-Code	50	10-750	13.98	11.88	9.78
D50K-Code	50	1K-4K	14.62	12.42	10.23
D50K-Code	50	5K-50K	14.93	12.69	10.45
D100K1R0	100	1R0	20.19	18.17	16.15
D100K-Code	100	2.0-10	19.66	17.69	15.72
D100K-Code	100	25-5K	17.67	15.90	14.13
D175K-Code	175	10-50	26.65	23.99	21.32
D175K-Code	175	100-500	22.74	20.47	18.19
D225K1R0	225	1.0	41.71	37.54	33.36
D225K-Code	225	2.0-5.0	35.38	31.85	28.31
D225K-Code	225	10-50	28.43	25.58	22.74
D225K-Code	225	100-40K	24.00	21.60	19.21

**NOTE:** RoHS Compliant. For resistance value replace "Code" (ex: 33JCodeE) in Cat. No. with value from Stocking Resistance Value Chart. For other resistance values, please contact your Electro Sonic sales representative.



## MOUNTING BRACKETS & ADJUSTABLE LUGS

The standard bracket (indicated by stock number without suffix) is cadmium plated steel. An "S" suffix indicates spring steel; a "B" suffix indicates brass. Spring steel brackets are excellent where vibration is involved; brass brackets are employed with non-inductive resistors or for corrosion resistance.

One Standard "Screw Driver Type Adjustable Lug" is supplied with each Dividohm.

**NOTE—MOVING THE LUGS:** Lugs should always be loosened completely before moving and only loosened and moved while the current is off, in order to protect the exposed wire from mechanical and/or electrical injury and to protect the operator from dangerous voltages.

Cat. No.	Mtg. Screw Max.	Fits These Resistors	Net Price Per 1000
<b>CAD. PLATED STEEL</b>			
5	6	12 W Brown Devil or Divid.	\$318.02
9	6	25, 50 W Fixed; 25, 50, 75 W Dividohm	292.92
12	10	100 W Fixed or Dividohm	627.68
18	10	175, 225 W Fixed or Divid.	615.91

Continued on next page...

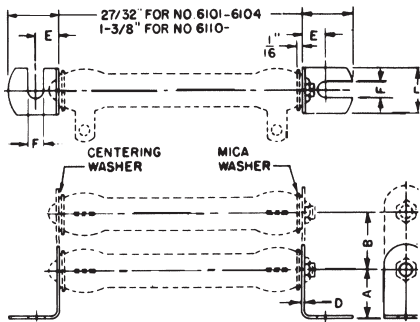


## RHEOSTAT DIALS

Handsomely finished dials for Ohmite rheostats and other apparatus, feature bright figures and lines on etched black background. Divisions marked from 0 to 100 indicate approximate percentage of rheostat resistance in circuit.

Cat. No.	For Rheostat	Dial Dia.	Recom'd. Knobs†	Net Price
5007	C, E	1 1/4"	5151	\$1.75
5000	H, J, G, K, L	2 3/16"	5150, 5116, 5103	1.75
5001	P, N, R, U	5 1/2"	5104, 5106	11.42

†See Black Bakelite Knobs elsewhere on this page.



SLOTTED BRACKET TYPE

## THRU-BOLTS AND MOUNTING BRACKETS

Thru-bolts with centering and mica insulation washers are used to mount tubular resistors perpendicularly to a panel, up to 1/4" thick. The sturdy plated steel brackets mount tubular resistors via thru-bolts and centering washers with mica insulation washers. Slotted brackets, one end slot and one side slot are available.

### DIMENSIONS FOR SLOTTED BRACKET

Cat. No. Type	A	B	C	D	E	F	J
6101	29/32	1 9/16	3/4	1/32	7/16	1/4	1 1/2

### METAL CENTERING WASHERS

Cat. No.	Core		Washer		For Max. Screw Size	Net Price
	O.D. of Core	I.D. of Core	Dia. of Washer	Dia. of Hole		
6000	9/16"	5/16"	9/16"	.190	#10	\$28.63
6001	3/4"	1/2"	3/4"	.190	#10	34.63
6003	1 1/8"	3/4"	1 1/8"	.250	1/4"	43.71

NOTE: Sold in pkg of 100.

### THRU-BOLTS

Cat. No.	Watt Size	Core Size O.D. x I.D. x L (Inches)	Bolt Size		Net Price
			No.	Length (Inches)	
7PA50	50	9/16 x 5/16 x 4	No. 10	4 3/4	\$5.19
7PA100	100	3/4 x 1/2 x 6 1/2	No. 10	7 1/16	6.24
7PA160	175	1 1/8 x 3/4 x 8 1/2	1/4"	9 1/2	10.44
7PA200	225	1 1/8 x 3/4 x 10 1/2	1/4"	11 1/2	10.77

## RHEOSTAT TANDEM COUPLING KITS

Ohmite coupling kits permit tandem mounting of two rheostat units. A coupling fastens to the shaft of the back unit; projections on the coupling engage the recesses in the driving hub of the front unit.

Each kit consists of a steel "U" frame, a coupling with set screw, mica washer, allen wrench and instructions.

### OHMITE RHEOSTAT TANDEM COUPLING KITS

Cat. No.	Front Mount Models	Rear Mount Models	Max. Panel Thickness	Weight	Net Price
6532	H, J	H, J, G, K, L	5/32"	.17 lb.	\$45.94
6533	G, K, L	H, J, G, K, L	1/8"	.41 lb.	48.57

\*Using No. 5150 Knob

# GIVING YOU WHAT YOU WANT!



- SPEED
- PRODUCTS
- INFORMATION
- PROCUREMENT
- LINKS

IT'S ALL HERE... [www.e-sonic.com](http://www.e-sonic.com)