



### EXTRA HANDS WITH MAGNIFIER

Two alligator spring clamps and double ball joints hold work at any angle. Third clamp holds 2" magnifying lens for doubling size of hard to read part numbers and verifying repair accuracy. Spring clip holds objects at any angle leaving both hands free to glue, solder, repair, or assemble with ease. Heavy cast-iron metal base provides stable error-free assistance.

Cat. No.	Net Price
12-0053-0000	\$13.05



### CLIP & GRIP FLUSH CUTTER

A production quality flush cutter for trimming component leads. Retaining device holds clipped ends and prevents them from flying into the eyes or remaining in the circuitry. Semi-flush jaws for close trimming and longer life. For copper wire up to .047" dia. (18 gauge). (Not to be used for cutting steel wires.) Compact size (4½" long).

Cat. No.	Net Price
12-0504-0000	\$28.83



### ELECTRONIC ASSEMBLY TWEEZERS

6½" long self-closing, blunt points, serrated.

Cat. No.	Net Price
00-7946-0000	\$7.00



### HI-VOLTAGE TESTING SCREWDRIVER

A combination screwdriver and electrical tester that checks AC voltages from 100 to 500 volts. Pocket sized, only ¾" O.D. and 5½" long.

Cat. No.	Net Price
00-5120-0000	\$2.77



### CIGARETTE LIGHTER PLUGS

For operating electrical plug-in accessories: trouble lights, transistorized inverters, portable spotlights, bottle warmers, CB's, 12 volt TVs, etc.

Cat. No.	Description	Net Price
30-3152-0000	(Standard Plug)	\$2.09



### PUSH/PULL TOOLS (SPRING HOOKS)

Combination push/pull/lifter tool for manipulating drive belts and springs into tight place. One end is a hook for pulling, the other an "S" for pushing.

Cat. No.	Description	Net Price
12-2015-0000	5" length	\$4.57
12-2018-0000	8" length	4.91
12-2021-0000	11" length	5.30



### DENTAL PROBES

Stainless steel probes that have been popular for a long time are now even more valued as soldering/desoldering aids in SMD assemblies. Stainless is non contaminating, static free and will not solder. Needle point tips permit exact placement. Hex handles prevent rolling, allows better grip.

Cat. No.	Description	Net Price
12-2260-0000	5½" straight probe	\$3.85
12-2264-0000	5½" hooked probe	4.09
12-2266-0000	5½" curved probe	4.09
12-2270-0000	Set of all three probes	10.27

**WHILE PRICES ARE THE MOST CURRENT  
AT TIME OF PRINTING, THEY ARE SUBJECT  
TO CHANGE WITHOUT NOTICE.**

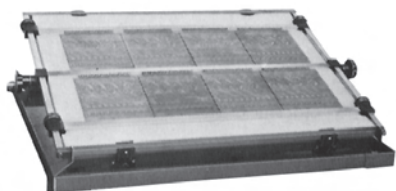
## LENLINE



### LENLINE SWIVEL BASE VISE

A swivel base bench clamp vise with a single locking positioning lever. Ball joint swivel for maximum rotation and all metal construction. Jaws: Rubber 3" wide. Jaw opening: 2-1/4".

Cat. No.	Net Price
MUV-1	\$22.14



### LENLINE PRINTED CIRCUIT BOARD ASSEMBLY JIGS

The practical and elegant design is particularly suited to shorten the time in mounting components, parts, etc. in printed circuit boards. Basically they are 3 piece units; a frame base, printed circuit holder, and foam rubber component pressing or holding lid. Several boards can be mounted at a time. The distance of the lid from the board surface can be regulated to accommodate the various component heights. The PCSS can be easily adapted for conveyor belts. Each holder has a central bar which can be taken out or put in with pressure, so that printed circuit boards can be mounted in double rows. Complete with anti-static foam.

Cat. No.	Maximum Board Sizes	Net Price
PCSA-1	270 x 220mm (with mid rail) 270 x 110mm + 270 x 100mm	\$214.29
PCSA-2	500 x 220mm (with mid rail) 500 x 110mm + 500 x 100mm	268.57
PCSA-3	750 x 220mm (with mid rail) 750 x 110mm + 750 x 100mm	328.57
PCSA-4	500 x 350mm (with mid rail) 500 x 175mm + 500 x 165mm	342.86



### LENLINE STAINLESS STEEL DIAGONAL CUTTERS

Cat. No.	Description	Net Price
08-702	Micro diagonal cutter. Bevel cut with insulated non-slip handles. Length: 4-3/4" (120mm). Oval head size: .55" x .40" (13mm x 10mm). For cutting copper and soft wire leads.	\$7.50
08-705	Diagonal cutter. Bevel cut with insulated non-slip handles. Length: 5" (128mm). Oval head size: .65" x .40" (17mm x 10mm). For cutting copper and soft leads.	10.36
08-710	Diagonal cutter. Bevel cut with insulated non-slip handles. Length: 5" (155mm). Oval head size: .80" x .5" (20mm x 12mm). For cutting copper and medium wire leads.	11.07
08-711	Diagonal cutter. Flush cut with insulated non-slip handles. Length: 5-1/8". Tapered head size: .60" x .40" (15mm x 10mm). For cutting copper and soft wire leads.	10.36
08-712	Diagonal cutter. Flush cut with insulated non-slip handles. Length: 6" (155mm). Tapered head size: .80" x .5" (20mm x 12mm). For cutting copper and medium wire leads.	11.07
08-713	Oblique cutter. Flush cut with insulated non-slip handles. Length: 4-7/8" (125mm). 45 degree 1/4" (8mm) flush cut head. Ideal for cutting SMD leads.	10.14



### LENLINE STAINLESS STEEL LONG NOSE PLIERS

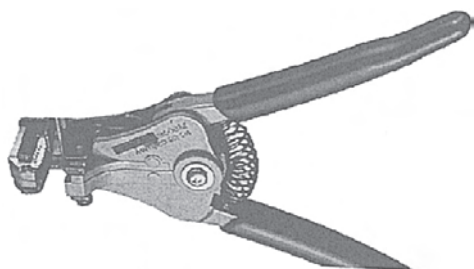
Cat. No.	Description	Net Price
08-703	Miniature long nose plier. Smooth jaws and side cutter with insulated non-slip handles. Length: 4.5" (115mm). Head size: .40" x 1/8" (10mm x 2mm).	\$5.36
08-704	Miniature long nose plier. Serrated jaws with insulated non-slip handles. Length: 5.5" (140mm). Head size: 1-1/4" x 1/8" (30mm x 2mm).	8.93
08-794B	Miniature bent nose pliers. Smooth jaws with insulated non-slip handles. Length: 5.5" (140mm). Head size: 1-1/4" x 1/8" (30mm x 2mm). 1/2" (15mm) 45 degree angle tip.	10.14
08-707	Long nose plier. Smooth jaws and insulated non-slip handles. Length: 6-1/4" (160mm). Head size: 1-7/8" x 1/8" (47mm x 2mm).	9.29
08-709	Long nose plier. Serrated jaws and insulated non-slip handles. Length: 6" (150mm). Head size: .47" x 1/8" (12mm x 2mm).	9.29
08-714	Extended reach long nose plier. Serrated jaws. Precisely polished steel and cushioned handles. Length: 9-1/2" (240mm). Jaw size: 2-3/4" x 1/8" (70mm x 2mm).	17.14



### LENLINE PROFESSIONAL STRIPPER, CRIMPER AND CUTTER

Professional wire stripper, cutter, crimper and bolt cutter with cushioned handles. Strip sizes: 10 to 22 AWG. Crimps sizes insulated/un-insulated: 10-12, 14-16 and 18-22. Bolt cutter: 4-40, 6-32, 8032, 10-24 and 10-32.

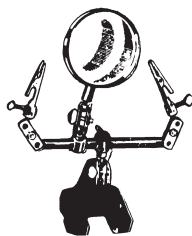
Cat. No.	Net Price
08-313	\$4.29



### LENLINE AUTOMATIC WIRE STRIPPER

All metal automatic wire stripper with insulated handles. Easy, two step operation—insert wire and squeeze the handle. The 08-369 tool will cleanly strip the wire insulation without damaging or nicking the finest solid or stranded wires. Strips sizes: 8 to 22 AWG.

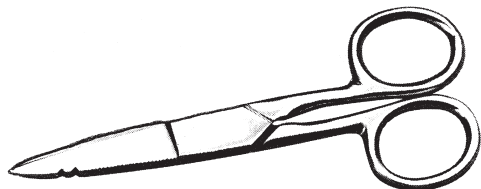
Cat. No.	Net Price
08-369	\$12.86



### LENLINE "THIRD HAND" SOLDERING AID

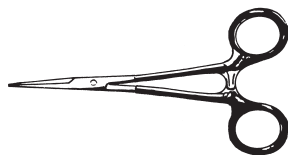
Two adjustable arms with alligator jaws set in a heavy base. A versatile tool, it can be adjusted to any position and firmly hold small items of any shape.

Cat. No.	Description	Net Price
70-490M	Soldering Aid with magnifier	\$7.86



### LENLINE SCISSORS

Cat. No.	Description	Net Price
70-272	Splicer's scissors. Stainless steel, c/w scraper and file on the back edge of the blade. Length: 5-1/4" (130mm).	\$5.36
70-273	Electrician's scissors. Extra strength stainless steel with insulated handles, c/w notch in blade and file on the back edge of blade. Length: 5" (125mm).	5.36



### LENLINE STRAIGHT AND CURVED LOCK HOLDERS

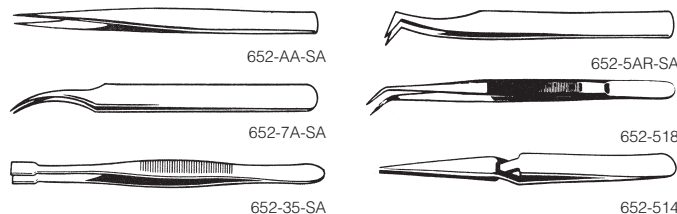
6" O.A.L. stainless steel, slim serrated jaws. Has two position snap-lock. Excellent heat sink and clamp. Allows quick disconnect and reconnect for temporary connections.

Cat. No.	Description	Net Price
70-20S	Straight Lock Holder	\$4.21
70-20C	Curved Lock Holder. Same as above, but with a slight curve in the jaws.	4.21



### LENLINE TWEEZER SETS

Cat. No.	Description	Net Price
P314	Two piece set: one straight and one curved. Nickel plated. Length: 4-1/4".	\$4.64
08-389	Four piece set: one straight, one angled, one wafer, and one closing.	6.43



652-AA-SA

652-5AR-SA

652-7A-SA

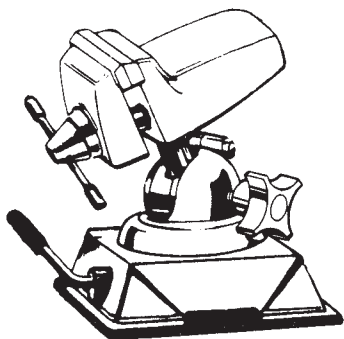
652-518

652-35-SA

652-514

### LENLINE TWEEZERS

Cat. No.	Description	Net Price
652-AA-SA	AA—General purpose tweezer with fine point tips. Stainless steel anti-magnetic. Length: 5".	\$3.21
652-MM-SA	MM—General purpose tweezer with fine bevelled tips. Stainless steel anti-magnetic. Length: 5".	3.00
652-SS-SA	SS—Extra fine point tips. Longer, slimmer design. Stainless steel anti-magnetic. Length: 5-3/8".	2.93
652-OO-SA	OO—Extra tip strength. Stainless steel anti-magnetic. Length: 4-1/2".	2.86
652-OC-SA	OC—Round fine point tips for hard to reach areas. Stainless steel anti-magnetic. Length: 3-1/2".	2.21
652-1-SA	1—Extra fine pointed tips. Stainless steel anti-magnetic. Length: 4-5/8".	2.79
652-2-SA	2—Fine pointed tips. Stainless steel anti-magnetic. Length: 4-1/2".	2.79
652-2A-SA	2A—Flat tipped, approx. .005" and smooth on all sides. Stainless steel anti-magnetic. Length: 4-6/8".	2.71
652-2AB-SA	2AB—Curved flat tipped, approx. .005" and smooth on all sides. Stainless steel anti-magnetic. Length: 4-6/8".	2.79
652-3CB-SA	3CB—Fine pointed tips bent 45 degrees. Stainless steel anti-magnetic. Length: 4-1/8".	2.79
652-4-SA	4—Sharp taper extra fine tips. Stainless steel anti-magnetic. Length: 4-1/2".	2.79
652-5A-SA	5A—Very fine point angled tips. Stainless steel anti-magnetic. Length: 4-3/4".	2.79
652-5AR-SA	5A—Angled fine point tips and bent at 45 degrees. Stainless steel anti-magnetic. Length: 4-3/4".	2.79
652-7A-SA	7A—Curved fine point tips. Stainless steel anti-magnetic. Length: 4-1/2".	2.79
652-7B-SA	7B—Curved fine point serrated tips. Stainless steel anti-magnetic. Length: 4-1/2".	2.79
652-205-SA	205—Flat tipped for SMD components. Stainless steel anti-magnetic. Length: 4-1/2".	4.21
652-35-SA	SA—Straight wafer tips. Nickel plated. 4-3/4".	2.79
652-36-SA	36—Bent wafer tips. Nickel plated. Length: 4-3/4".	2.79
652-514	Self locking with serrated tips. Nickel plated. Length: 6-3/4".	2.50
652-515	Serrated broad tip. Stainless steel. Length: 5-1/8".	2.64
652-516	Curved fine point. Stainless steel. Length: 4-6/8".	2.57
652-517	Serrated round tips. Stainless steel. Length: 6-1/4".	3.00
652-518	Serrated curved rounded tips. Stainless steel. Length: 6-1/2".	3.00



### MODEL 381 VACUUM BASE

The 381 Vacuum Base is a combination of the 380 Vacuum Base and a 303 Standard Head which creates the versatility of the 301 standard PanaVise with added portability. A half turn of the mount lever attaches or releases the powerful suction pad and allows rapid set-ups in a variety of locations on smooth, non-porous surfaces.

Cat. No.	Net Price
381	\$72.31



### JAWS FOR THE 303 STANDARD OR 304 LOW PROFILE HEADS

**Model 352 High Heat Teflon Jaws.** Used in high heat environments. Temperature limits are 840°F (499°C) intermittent, and 500°F (260°C) constant. Size: 2½" x ½" x ¼" (6.4cm x 1.27cm x .635cm).

Cat. No.	Net Price
352	\$14.95



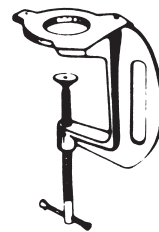
**Model 344 Grooved Nylon Jaws.** Same as 343 with horizontal slots designed to gently hold small objects. Size: 2½" x ½" x ¼" (6.4cm x 1.27cm x .635cm).

Cat. No.	Net Price
344	\$4.73



**Model 353 Plated Steel Jaws.** These husky jaws are recommended when working with high heat or heavy objects.

Cat. No.	Net Price
353	\$8.09

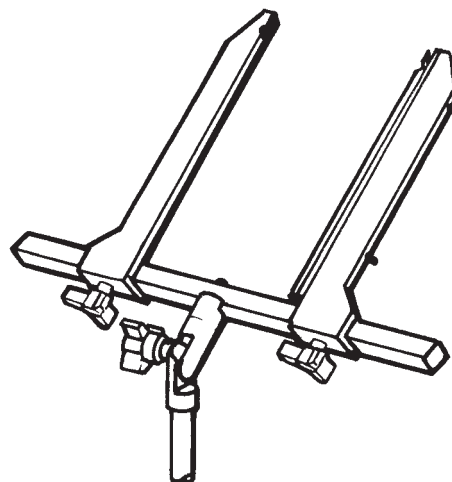


HOLES SPACED FOR  
MOUNTING BASES 300  
AND 305

### MODEL 311 BENCH CLAMP

Designed, drilled and tapped for PanaVise positioner bases 300 and 305, with three zinc-plated flat head machine screws supplied. With bright zinc plated steel clamping screw and leveling button, stainless steel tightening rod.

Cat. No.	Net Price
311	\$49.87



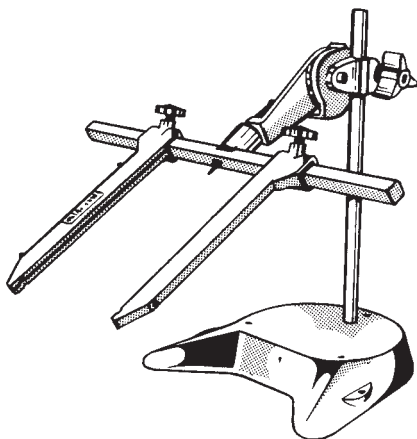
315

### MODEL 315 CIRCUIT BOARD HOLDER ASSEMBLY

When used in a PanaVise Base the 315 Circuit Board Holder is designed to accommodate PC boards of any shape and size, from ⅛" (3mm) to 12" (305mm) in width. With the 318 accessory Cross Bars, the width can be extended to 24" (762mm). Hold PC boards exactly where you want them—flat, vertical, or any angle in between. Arms may be moved independently in either direction, and may also be positioned adjacent to each other. The aluminum arms extend 6" (152mm) from the cross bar. Each arm has a "V" shaped groove to hold boards up to ⅝" (4mm) thick. An exclusive second set of "V" notches, positioned laterally near the tips, holds small electronic parts in a secure and convenient position. The stem is ⅝" (16mm) in diameter.

Cat. No.	Description	Net Price
315	Circuit Board Holder Assembly	\$41.14

[www.e-sonic.com](http://www.e-sonic.com)



### 333 PANAVISE RAPID ASSEMBLY CIRCUIT BOARD HOLDER

The 333 Rapid Assembly Circuit Board Holder features an eight position rotation adjustment and six positive lock positions in the vertical plane. Model 318 Cross Bars are available up to 30" (762mm) in length to hold circuit boards up to 28" (711mm) wide. Extra 316 Circuit Board Arms can be added for dual or multiple board holding. Spring loaded, the 333 features tilt angle adjustment. Wt. 7.50 lb/3.40 kgs.

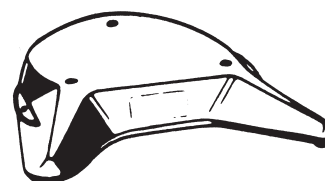
Cat. No.	Net Price
333	\$89.77



### MODEL 312 TRAY BASE MOUNT

The cast aluminum 312 Tray Base Mount holds either the 300 Standard Base or 305 Low Profile Base. This is a very stable work platform, yet is easily portable. Six individual trays are moulded into this base mount to conveniently store small parts right where you need them. Included are six slip-stopping neoprene feet and mounting screws. Base dia.: 8 1/2" (216mm).

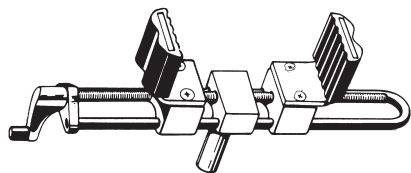
Cat. No.	Net Price
312	\$24.93



### MODEL 308 WEIGHTED BASE MOUNT

This husky cast iron Base Mount weighs 5 lbs. making it compact and stable. Included are four non-marring anti-skid neoprene base pads and three screws. Drilled to hold the 300 Standard Base and the 305 Low Profile Base. Two 1/4"-20 holes are tapped in the extensions on the front of the base for conveniently mounting accessories.

Cat. No.	Net Price
308	\$37.40



376

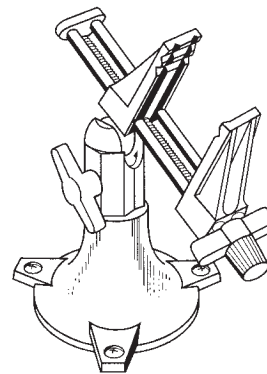


366

### MODELS 366 AND 367 WIDE OPENING VERTICAL VISE HEADS

Fits all 300 series bases, and with No. 336 base it may be used on up-down positioners. Jaw pads are made of neoprene, 1 1/4" wide and 2" deep. Steel parts machined to fine tolerances, plated for durability.

Cat. No.	Description	Net Price
366	Jaws will open to 6".	\$42.38
376	Jaws are self-centering and will open to a full 9".	57.35
346	Replacement Neoprene Pads (set of 2).	3.73



### PANAVISE JR. THE VISE THAT IS MORE LIKE A TOOL MODEL 201

Whether you are a professional user or a "weekend professional" the PanaVise JR. is for you. Great for Do-It-Yourselfers, for hobby work, for general repair around the house as well as professional electronics, jewelry and camera repair. There is no other vise like it that "twists, turns and tilts" to hold everything just the way you want it. One quick turn of the control knob and you securely position your work exactly where you want it. Jaws open to 3 1/2 inches.

Cat. No.	Net Price
201	\$29.92