

Hammond Industrial Wallmount Enclosures

MANU
195
CODE

NEMA 4 SINGLE DOOR ENCLOSURES—GREY

Cat. No.	Dimensions			Optional Inner Panel	Net Price
	H	W	D		
EN4SD20168GY	20	16	8	EP2016	\$289.15
EN4SD20208GY	20	20	8	EP2020	312.55
EN4SD20248GY	20	24	8	EP2024	345.55
EN4SD24168GY	24	16	8	EP2416	309.24
EN4SD24208GY	24	20	8	EP2420	335.80
EN4SD24248GY	24	24	8	EP2424	362.49
EN4SD24308GY	24	30	8	EP2430	402.49
EN4SD30208GY	30	20	8	EP3020	381.38
EN4SD30248GY	30	24	8	EP3024	402.49
EN4SD30308GY	30	30	8	EP3030	449.95
EN4SD36248GY	36	24	8	EP3624	442.42
EN4SD36308GY	36	30	8	EP3630	497.42
EN4SD36368GY	36	36	8	EP3636	552.40
EN4SD161210GY	16	12	10	EP1612	244.51
EN4SD161610GY	16	16	10	EP1616	261.65
EN4SD162010GY	16	20	10	EP1620	281.49
EN4SD201610GY	20	16	10	EP2016	281.49
EN4SD202010GY	20	20	10	EP2020	304.80
EN4SD202410GY	20	24	10	EP2024	326.93
EN4SD241610GY	24	16	10	EP2416	301.11
EN4SD242010GY	24	20	10	EP2420	328.00
EN4SD242410GY	24	24	10	EP2424	354.29
EN4SD243010GY	24	30	10	EP2430	392.55
EN4SD302010GY	30	20	10	EP3020	361.75
EN4SD302410GY	30	24	10	EP3024	393.55
EN4SD303010GY	30	30	10	EP3030	439.93
EN4SD362410GY	36	24	10	EP3624	433.00
EN4SD363010GY	36	30	10	EP3630	486.18
EN4SD363610GY	36	36	10	EP3636	539.36
EN4SD423610GY	42	36	10	EP4236	612.38
EN4SD482410GY	48	24	10	EP4824	650.49
EN4SD483610GY	48	36	10	EP4836	667.04
EN4SD603610GY	60	36	10	EP6036	777.15
EN4SD202012GY	20	20	12	EP2020	345.95
EN4SD242012GY	24	20	12	EP2420	383.20
EN4SD242412GY	24	24	12	EP2424	402.49
EN4SD302412GY	30	24	12	EP3024	447.53
EN4SD303012GY	30	30	12	EP3030	499.89
EN4SD362412GY	36	24	12	EP3624	506.76
EN4SD363012GY	36	30	12	EP3630	552.40
EN4SD363612GY	36	36	12	EP3636	612.38
EN4SD423612GY*	42	36	12	EP4236	672.95
EN4SD482412GY*	48	24	12	EP4824	599.20
EN4SD483612GY*	48	36	12	EP4836	732.78
EN4SD242416GY	24	24	16	EP2424	455.33
EN4SD363016GY	36	30	16	EP3630	624.95
EN4SD483616GY*	48	36	16	EP4836	805.38
EN4SD242420GY	24	24	20	EP2424	496.35
EN4SD302420GY	30	24	20	EP3024	553.07
EN4SD363020GY	36	30	20	EP3630	681.69

NOTE: Inner panel not included—order separate.
*Diecast key lockable handle with black epoxy finish on 3 point latch.



NEMA 4, 4X STAINLESS STEEL SINGLE DOOR ENCLOSURES

FEATURES:

- NEMA 4/4X stainless steel enclosures are designed to enclose electrical and/or electronic equipment and protect against harsh, industrial environments.
- Cover and enclosure are natural 304 stainless steel with a smoothed brushed finish.
- Doors are easily removed for modifications and are interchangeable.
- Panel mounting hardware is included.
- Hinges, hinge pins and quarter turns are stainless steel.



Cat. No.	Dimensions			Optional Inner Panel	Net Price
	H	W	D		
EN4SD12126SS	12	12	6	EP1212	\$660.44
EN4SD16126SS	16	12	6	EP1612	724.53
EN4SD16166SS	16	16	6	EP1616	803.87
EN4SD20166SS	20	16	6	EP2016	908.29
EN4SD20206SS	20	20	6	EP2020	1002.93
EN4SD16208SS	16	20	8	EP1620	974.40
EN4SD20168SS	20	16	8	EP2016	947.25
EN4SD20208SS	20	20	8	EP2020	1046.09
EN4SD24168SS	24	16	8	EP2416	1032.87
EN4SD24208SS	24	20	8	EP2420	1145.62
EN4SD24248SS	24	24	8	EP2424	1259.76
EN4SD30248SS	30	24	8	EP3024	1429.58
EN4SD30308SS	30	30	8	EP3030	1678.75
EN4SD36248SS	36	24	8	EP3624	1646.04
EN4SD36308SS	36	30	8	EP3630	1887.55
EN4SD363612SS	36	36	12	EP3636	2323.95
EN4SD423612SS	42	36	12	EP4236	2580.07
EN4SD483612SS	48	36	12	EP4836	2836.20

NOTE: Inner panel not included—order separate.



NEMA 4 WINDOW DOOR ENCLOSURES

FEATURES:

- Designed to enclose electrical and/or electronic equipment where viewing of component operation is necessary while maintaining protection ratings.
- Full view UV resistant polycarbonate window allow maximum viewing area of inner panel.
- Doors may be easily removed and are interchangeable. All window door latch types are quarter turn.
- Panel mounting hardware is included.
- The RAL7032 beige version includes a removable steel gland plate which covers the cutouts in bottom allowing easy cable entry.
- Quarter turn latches formed from mild steel.
- Stainless steel hinge with stainless steel pins.
- Finished in RAL7032 beige or ANSI/ASA61 grey powder paint.



Cat. No.	Dimensions			Optional Panel	Net Price
	H	W	D		
NEMA 4—BEIGE					
EN4SD16126WCG	16	12	6	EP1612	\$342.11
EN4SD20166WCG	20	16	6	EP2016	394.89
EN4SD20206WCG	20	20	6	EP2020	426.02
EN4SD24206WCG	24	20	6	EP2420	457.22
EN4SD24246WCG	24	24	6	EP2424	493.11
EN4SD16128WCG	16	12	8	EP1612	358.73
EN4SD20168WCG	20	16	8	EP2016	416.47
EN4SD20208WCG	20	20	8	EP2020	450.09
EN4SD24208WCG	24	20	8	EP2420	483.64
EN4SD24248WCG	24	24	8	EP2424	521.96
EN4SD30248WCG	30	24	8	EP3024	579.69
EN4SD202012WCG	20	20	12	EP2020	498.02
EN4SD242012WCG	24	20	12	EP2420	536.40
EN4SD242412WCG	24	24	12	EP2424	579.69
EN4SD302412WCG	30	24	12	EP3024	644.51
EN4SD242416WCG	24	24	16	EP2424	637.25
EN4SD242420WCG	24	24	20	EP2424	695.13
EN4SD302420WCG	30	24	20	EP3024	775.13

NEMA 4/4X STAINLESS STEEL

FEATURES:

- NEMA 4/4X stainless steel
- Natural stainless steel with a smoothed brushed finish.
- Stainless steel hinges, hinge pins and quarter turns.

Cat. No.	Dimensions			Optional Panel	Net Price
	H	W	D		
EN4SD16126WSS	16	12	6	EP1612	\$1039.82
EN4SD20166WSS	20	16	6	EP2016	1260.45
EN4SD20206WSS	20	20	6	EP2020	1379.47
EN4SD20168WSS	20	16	8	EP2016	1347.45
EN4SD20208WSS	20	20	8	EP2020	1482.47
EN4SD24208WSS	24	20	8	EP2420	1634.22
EN4SD24248WSS	24	24	8	EP2424	1786.64
EN4SD30248WSS	30	24	8	EP3024	2042.76

NOTE: Inner panel not included—order separate.

NEMA 4—GREY

FEATURES:

- NEMA 4
- Finished in grey (GY) powder paint
- Zinc plated hinge pins, stainless steel hinges, and mild steel quarter turns.

Cat. No.	Dimensions			Optional Panel	Net Price
	H	W	D		
EN4SD16126WGY	16	12	6	EP1612	\$342.11
EN4SD20166WGY	20	16	6	EP2016	394.89
EN4SD20206WGY	20	20	6	EP2020	426.02
EN4SD24206WGY	24	20	6	EP2420	457.22
EN4SD24246WGY	24	24	6	EP2424	493.11
EN4SD16128WGY	16	12	8	EP1612	358.73
EN4SD20168WGY	20	16	8	EP2016	416.47
EN4SD20208WGY	20	20	8	EP2020	450.09
EN4SD24208WGY	24	20	8	EP2420	483.64
EN4SD24248WGY	24	24	8	EP2424	521.96
EN4SD30248WGY	30	24	8	EP3024	579.69
EN4SD202012WGY	20	20	12	EP2020	498.02
EN4SD242012WGY	24	20	12	EP2420	536.40
EN4SD242412WGY	24	24	12	EP2424	579.69
EN4SD302412WGY	30	24	12	EP3024	644.51
EN4SD242416WGY	24	24	16	EP2424	637.25
EN4SD242420WGY	24	24	20	EP2424	695.13
EN4SD302420WGY	30	24	20	EP3024	775.13

NOTE: Inner panel not included—order separate.



INNER PANEL

FEATURES:

- Larger than standard NEMA panel used in same sized enclosure.
- Larger sizes have 2 or 4 formed flanges for added strength.
- Slotted corner design for easier mounting.
- Finished in white or unpainted galvanized.

STEEL PANEL

Cat. No.	Dimensions			Gauge	Net Price
	H	W	D		
EP1212	10.2	10.2	14	14	\$10.84
EP1612	14.2	10.2	14	14	13.98
EP1616	14.2	14.2	12	12	36.15
EP1620	14.2	18.2	12	12	41.62
EP2016	18.2	14.2	12	12	41.62
EP2020	18.2	18.2	12	12	49.96
EP2024	18.2	22.2	12	12	63.80
EP2416	22.2	14.2	12	12	49.51
EP2420	22.2	18.2	12	12	63.80
EP2424	22.2	22.2	12	12	74.09
EP2430	22.2	28.2	12	12	89.42
EP2442	22.2	40.2	12	12	122.04
EP3020	28.2	18.2	12	12	78.73
EP3024	28.2	22.2	12	12	89.42

STEEL PANEL

Cat. No.	Dimensions		Gauge	Net Price
	H	W		
EP3030	28.2	28.2	12	\$118.33
EP3048	28.2	46.2	12	179.67
EP3060	28.2	58.2	12	219.19
EP3624	34.2	22.2	12	104.80
EP3630	34.2	28.2	12	137.82
EP3636	34.2	34.2	12	161.27
EP3648	34.2	46.2	12	212.07
EP3660	34.2	58.2	12	259.96
EP4236	40.2	34.2	12	190.18
EP4824	46.2	22.2	12	139.09
EP4836	46.2	34.2	12	213.65
EP6036	58.2	34.2	12	255.25

GALVANIZED PANELS

Cat. No.	Note	Dimensions (Inches)		Gauge	Net Price
		H	W		
EPG1212	1	10.2	10.2	14	\$10.84
EPG1612	1	14.2	10.2	14	13.98
EPG1616	1	14.2	14.2	12	36.15
EPG1620	1	14.2	18.2	12	41.62
EPG2016	1	18.2	14.2	12	41.62
EPG2020	2	18.2	18.2	12	49.96
EPG2024	2	18.2	22.2	12	63.80
EPG2416	2	22.2	14.2	12	49.51
EPG2420	2	22.2	18.2	12	63.80
EPG2424	3	22.2	22.2	12	74.09
EPG2430	3	22.2	28.2	12	89.42
EPG2442	3	22.2	40.2	12	122.04
EPG3020	3	28.2	18.2	12	78.73
EPG3024	3	28.2	22.2	12	89.42
EPG3030	3	28.2	28.2	12	118.33
EPG3048	3	28.2	46.2	12	179.67
EPG3060	3	28.2	58.2	12	219.18
EPG3624	3	34.2	22.2	12	104.80
EPG3630	3	34.2	28.2	12	137.82
EPG3636	3	34.2	34.2	12	161.27
EPG3648	3	34.2	46.2	12	212.07
EPG3660	3	34.2	58.2	12	259.96
EPG4236	3	40.2	34.2	12	190.18
EPG4824	3	46.2	22.2	12	139.09
EPG4836	3	46.2	34.2	12	213.65
EPG6036	3	58.2	34.2	12	255.25

NOTE: 1-Flat Panel; 2-2 Formed Flanges; 3-4 Formed Flanges.

OIL TIGHT HOLE PLUGS

FEATURES:

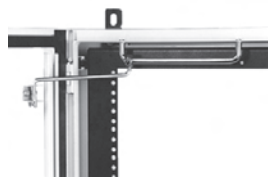
- Designed to seal unused pushbutton holes, conduit openings, and knockout holes against dust, oil, and water.
- Standard pushbutton size is 30.5mm.
- Steel hole plugs are finished in grey, stainless steel and has a brushed natural stainless steel finish.
- Oil resistant gasket.
- Secured with an 8-32 x 3/4" threaded stud and plated wing nut.

STEEL HOLE PLUGS

Cat. No.	Description	Diameter (Inches)	Net Price
HP22	22mm pushbutton	1.22	\$6.11
HP50	.5" conduit	1.38	6.11
HP75	.75" conduit	1.63	7.73
HPB	Std. pushbutton	1.75	8.29
HP100	1" conduit	1.88	10.69
HP125	1.25" conduit	2.25	11.89
HP150	1.5" conduit	2.50	13.53
HP200	2" conduit	3.00	14.91
HP250	2.5" conduit	3.50	19.05
HP300	3" conduit	4.14	25.16
HP350	3.5" conduit	4.66	32.65
HP400	4" conduit	5.19	41.91

STAINLESS STEEL HOLE PLUGS

Cat. No.	Description	Diameter (Inches)	Net Price
HP22SS	22mm pushbutton	1.22	\$16.36
HP50SS	.5" conduit	1.38	16.36
HP75SS	.75" conduit	1.63	20.84
HPBSS	Std. pushbutton	1.75	23.00
HP100SS	1" conduit	1.88	28.02
HP125SS	1.25" conduit	2.25	32.24
HP150SS	1.5" conduit	2.50	36.25
HP200SS	2" conduit	3.00	40.20



UNIVERSAL DOOR STOP KIT

FEATURES:

- Provides for door opening in fixed position as required.
- Prevents door swing that can occur in field maintenance situations.
- Locks in position by tightening set screw.

Cat. No.	Net Price
DSTOPK	\$92.97



LOCKABLE QUARTER TURN ASSEMBLIES

FEATURES:

- Field installable.
- Interchangeable with standard quarter turn latches.
- Maintains NEMA, UL and CSA ratings 4 and 12.
- Black zinc diecast.

Cat. No.	Description	Net Price
2WKL	Mild steel locking wing knob	\$67.40



HANDLES

FEATURES:

- Field installable.
- Interchangeable with standard quarter turn latches.
- Maintains NEMA, UL and CSA ratings as noted.

Cat. No.	Description	NEMA Rating	Net Price
EHLL	Locking L Handle Black Zinc Diecast	12, 4	\$61.51
EHLPL	Padlockable L Handle Black Zinc Diecast	12	112.85
EHLPLSS	Padlockable L Handle Stainless Steel	12, 4, 4X	272.40



TOUCH-UP PAINT

FEATURES:

- For use in matching standard Hammond colours.
- Provided in 12 oz. spray cans.

Cat. No.	Colour	Net Price
1413CGRALS	Congempra Grey/RAL 7032	\$22.71
1413LRS	ASA 61 Grey	22.71



MOUNTING FOOT KIT

FEATURES:

- Field installable mounting feet maintain UL, CSA and NEMA ratings.
- Sits squarely into mounting holes for horizontal or vertical positioning.

Cat. No.	Description	Net Price
EZPMF	Plated black—Mild Steel (Pkg. of 4)	\$15.62
ESSMF	Type 304—Stainless (Pkg. of 4)	43.53



NEMA TYPE 12 TWO DOOR WALL MOUNT ENCLOSURES 1422 SERIES PANEL INCLUDED

FEATURES:

- Designed to house electrical, electronic, hydraulic or pneumatic controls and instruments.
- Provides a degree of protection from falling dirt, dust, oil and water.

STANDARDS:

- NEMA Type 12
- UL 508 Type 12
- CSA Type 12
- IEC 529, IP65

CONSTRUCTION:

- Enclosures are formed 14 gauge steel, except 1422VX12 and 1422WW12 is 12 gauge.
- Smooth, continuously welded seams without knockouts, cutouts or holes.
- Body stiffeners are provided in enclosures 30" high or more for extra rigidity.
- Welded brackets provide for enclosure mounting.
- Gasketed overlapping doors eliminate the need for a center post.
- Continuously hinged doors may be removed by pulling the hinge pin.
- Doors are secured with a three point latch and operated with a key locking automotive type handle.
- Latch rods are equipped with rollers are easier door closing.
- Oil resistant gaskets are permanently secured and mechanically retained.
- A removable 12 gauge inner panel is included in enclosures, except 1422VX12 and 1422WW12 is 10 gauge.
- Collar studs are provided for mounting inner panels.
- A grounding stud is provided in the enclosure and a bonding stud is provided on the door.
- A literature pocket is provided for the inside of the door.

FINISH:

- Cover and enclosure are phosphatized and finished in ANSI/ASA 61 grey powder paint on the outside, with white on the inside.
- Removable inner panel is finished in white powder paint.

ACCESSORIES:

- Breather kits
- Door stop kits
- Drip shield kits
- Enclosure stabilizers
- Filter fans
- Floor stand kits
- Heaters
- Light kit
- Louvered ventilating plates
- Spare inner panels
- Thermostats
- Window kits

Continued on next page....

Hammond Industrial Wallmount Enclosures

MANU
195
CODE

Cat. No.	Dimensions			Panel Size		Ship Wt. Lbs.	Net Price
	H	W	D	H	W		
1422P8	24	42	8.00	21	39	79	\$916.75
1422PW8	24	48	8.00	21	45	92	1000.53
1422P10	24	42	10.00	21	39	101	1115.93
1422R10	30	42	10.00	27	39	112	1111.22
1422RW10	30	48	10.00	27	45	115	1213.73
1422RX10	30	60	10.00	27	57	142	1455.16
1422UV12	36	42	12.00	33	39	134	1333.31
1422UW12	36	48	12.00	33	45	139	1426.13
1422UX12	36	60	12.00	33	57	181	1672.35
1422VV12	42	42	12.00	39	39	152	1477.87
1422VW12	42	48	12.00	39	45	161	1621.45
1422VX12	42	60	12.63	38	56	202	1908.58
1422WW12	48	48	12.63	44	44	181	1756.20

Cat. No.	Enclosure Size			Panel Size L x W	Mounting Centres		Wt. Lbs.	Net Price
	H	W	D		H	W		
STEEL CLAMPED REMOVABLE COVER								
1414A*	4	4	3	No Panel	4.75	2	2	\$47.18
1414C*	6	4	3	4.87 x 2.87	6.75	2	3	57.40
1414G	8	6	3.5	6.87 x 4.87	8.75	4	7	71.69
1414A4*	4	4	4	No Panel	4.75	2	3	49.75
1414C4*	6	4	4	4.87 x 2.87	6.75	2	4.1	61.91
1414E	6	6	4	4.87 x 4.87	6.75	4	4.7	67.13
1414I	10	8	4	8.87 x 6.87	10.75	6	10	89.96
1414K	12	10	5	10.75 x 8.87	12.75	8	13	115.56
1414M6	14	12	6	12.75 x 10.87	14.75	10	19	150.11
1414O6	16	14	6	14.87 x 12.87	16.75	12	23	178.89
1414M8	14	12	8	12.75 x 10.87	14.75	10	20	200.51
1414O10	16	14	10	14.75 x 12.87	16.75	12	25	251.91

All dimensions in inches.
*Does not meet JIC requirements.



**NEMA TYPE 12, 13
JIC ENCLOSURES
1414 SERIES
CLAMPED, LIFT OFF COVER PANEL INCLUDED**

APPLICATION:

• Suitable for use as instrument enclosures, electric, hydraulic or pneumatic control housings, electrical junction boxes or terminal wiring enclosures. Provides a degree of protection from dirt, dust, oil and water.

STANDARDS:

- NEMA Type 12 and Type 13
- UL 508 Type 12 and 13
- CSA Type 12 and 13
- JIC EGP-1-1967 unless noted
- IEC 529, IP65

CONSTRUCTION:

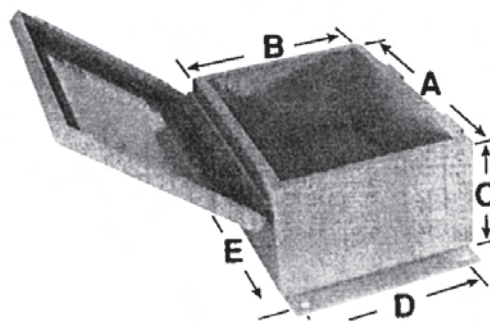
- Formed from 16 gauge or 14 gauge steel without knockouts, cutouts or holes
- Smooth, continuously welded seams
- Welded brackets provide for enclosure mounting
- Lift off cover is secured with stainless steel clamps and screws, and retained with a plated chain when open
- Oil resistant gaskets are permanently secured
- All models larger than 4" x 4" include a removable 14 gauge inner panel
- Weldnuts are provided for mounting inner panels
- A grounding stud is provided in the enclosure

FINISH:

- Cover and enclosure are phosphatized, finished in ANSI/ASA 61 grey recoatable powder paint
- Removable inner panel is finished in white

ACCESSORIES:

- Spare inner panels
- Spare cover clamping hardware
- Terminal kit assembly
- Window kit
- Breather kits
- Filter fans
- Heaters
- Thermostats



**NEMA TYPE 12, 13 JIC ENCLOSURES
1414 PH SERIES
CONTINUOUS HINGE, CLAMPED COVER
PANEL INCLUDED**



APPLICATION:

• Designed for use as instrument enclosures, electric, hydraulic or pneumatic control housings, electrical junction boxes or terminal wiring enclosures. Provides a degree of protection from falling dirt, dust, oil and water.

STANDARDS:

- NEMA Type 12 and Type 13.
- UL 508 Type 12 and 13.
- CSA Type 12 and 13.
- JIC EGP-1-1967 unless noted.
- IEC 529, IP65.

CONSTRUCTION:

- Formed from 16 gauge or 14 gauge steel without knockouts, cutouts or holes.
- Smooth, continuously welded seams.
- Welded brackets provide for enclosure mounting.
- Continuous hinged cover is secured with stainless steel clamps and screws.
- Oil resistant gaskets are permanently secured.
- All models larger than 4" x 4" include a removable 14 gauge inner panel.
- Weldnuts are provided for mounting inner panels.
- A bonding stud is provided on the door and a grounding stud is provided in the enclosure.

FINISH:

- Cover and enclosure are phosphatized, primed and finished in ANSI/ASA 61 grey recoatable powder paint.
- Removable inner panel is finished in white powder paint.

ACCESSORIES:

- Spare inner panels.
- Spare cover clamping hardware.
- Terminal kit assembly.
- Window kit.
- Heaters.
- Breather kits.
- Thermostats.
- Filter fans.

Continued on next page....

Hammond Industrial Wallmount Enclosures

MANU
195
CODE

Cat. No.	Enclosure Size			Panel Size LxW	Mounting Centres		Wt Lbs.	Net Price
	H	W	D		H	W		

STEEL CLAMPED PIANO HINGE COVER

1414PHC	6	4	3	4.87x2.87	6.75	2	3	\$59.05
1414PHG	8	6	3.5	6.87x4.87	8.75	4	6	71.87
1414PHC4*	6	4	4	4.87x2.87	6.75	2	4	62.13
1414PHE	6	6	4	4.87x4.87	6.75	4	4.7	67.24
1414PHH4	8	8	4	6.75x6.87	8.75	6	6	81.78
1414PHI	10	8	4	8.76x6.87	10.75	6	10	90.02
1414PHKC4	12	6	4	10.75x4.87	12.75	4	8	89.38
1414PHK	12	10	5	10.75x8.87	12.75	8	13	115.64
1414PHRK	10	12	5	8.88x10.75	10.75	10	13	114.69
1414PHG6	8	6	6	6.75x4.87	8.75	4	7.8	84.20
1414PHRG	6	8	3.5	4.88x6.75	6.75	6	6	71.87
1414PHI6	10	8	6	8.75x6.87	10.75	6	11.5	100.44
1414PHR1	8	10	4	6.88x8.75	8.75	8	10	89.24
1414PHJ6	10	10	6	8.75x8.87	10.75	8	13.5	111.56
1414PHL6	12	12	6	10.75x10.87	12.75	10	18	134.56
1414PHMH6	14	8	6	12.75x6.87	14.75	6	14	122.47
1414PHM6	14	12	6	12.75x10.87	14.75	10	19	146.47
1414PHRM6	12	14	6	10.88x12.75	12.75	12	19	145.24
1414PHN6	16	10	6	14.75x8.87	16.75	8	20	147.56
1414PHO6	16	14	6	14.75x12.87	16.75	12	23	174.53
1414PHR06	14	16	6	12.88x14.75	14.75	14	23	173.05
1414PHK8	12	10	8	10.75x8.87	12.75	8	20	138.35
1414PHM8	14	12	8	14.75x10.87	14.75	10	20	165.69
1414PHO8	16	14	8	14.75x12.87	16.75	12	23	191.84
1414PHO10	16	14	10	14.75x12.87	16.75	12	25	214.82

STEEL CLAMPED PIANO HINGE COVER (LESS INNER PANEL)

1414PHA*	4	4	3	—	4.75	2	2	47.71
1414PHCLP*	6	4	3	—	6.75	2	3	54.71
1414PHGLP	8	6	3.5	—	6.75	4	6	65.84
1414PHA4*	4	4	4	—	4.75	2	3	49.82
1414PHC4LP*	6	4	4	—	6.75	2	4	57.80
1414PHELP	6	6	4	—	6.75	4	4.7	61.98
1414PHH4LP	8	8	4	—	8.75	6	6	74.73
1414PHILP	10	8	4	—	10.75	6	10	81.78
1414PHKC4LP	12	6	4	—	12.75	8	8	81.64
1414PHKLP	12	10	5	—	12.75	8	13	104.49
1414PHRKLP	10	12	5	—	10.75	10	10	103.55
1414PHG6LP	8	6	6	—	8.75	4	7.8	78.15
1414PHRGLP	6	8	3.5	—	6.75	6	5	65.84
1414PHI6LP	10	8	6	—	10.75	6	11.5	92.20
1414PHRILP	8	10	4	—	8.75	8	8	80.98
1414PHJ6LP	10	10	6	—	10.75	8	13.5	101.80
1414PHL6LP	12	12	6	—	12.75	10	18	121.44
1414PHMH6LP	14	8	6	—	14.75	6	14	111.76
1414PHM6LP	14	12	6	—	14.75	10	19	131.85
1414PHRM6LP	12	14	6	—	12.75	12	17	130.60
1414PHN6LP	16	10	6	—	16.75	8	20	133.22
1414PHO6LP	16	14	6	—	16.75	12	23	155.13
1414PHR06LP	14	16	6	—	14.75	14	21	153.67
1414PHK8LP	12	10	8	—	12.75	8	20	127.20
1414PHM8LP	14	12	8	—	14.75	10	20	151.05
1414PHO8LP	16	14	8	—	16.75	12	23	172.45
1414PHO10LP	16	14	10	—	16.75	12	25	195.44

*Does not meet JIC requirements.



NEMA TYPE 12, 13 JIC ENCLOSURES 1414 SC SERIES LIFT OFF SCREW COVER PANEL INCLUDED

APPLICATION:

• Designed for use as instrument enclosures, electric, hydraulic or pneumatic control housings, electrical junction boxes or terminal wiring enclosures. Provides a degree of protection from falling dirt, dust, oil and water.

STANDARDS:

- NEMA Type 12 and Type 13
- UL 508 Type 12 and 13
- CSA Type 12 and 13
- JIC EGP-1-1967 unless noted
- IEC 529, IP65

CONSTRUCTION:

- Formed from 16 gauge or 14 gauge steel without knockouts, cutouts or holes
- Smooth, continuously welded seams
- Welded brackets provide for enclosure mounting
- Cover is secured with captive, plated steel screws, threaded into sealed wells
- Oil resistant gaskets are permanently secured
- All models larger than 4" x 4" include a removable 14 gauge inner panel
- Weldnuts are provided for mounting inner panels
- A grounding stud is provided in the enclosure and a bonding stud is provided on the door

FINISH:

- Cover and enclosure are phosphatized and finished in ANSI/ASA 61 grey recoatable powder paint
- Removable inner panel is finished in white powder paint

ACCESSORIES:

- Spare inner panels
- Terminal kit assembly
- Window kit
- Breather kits.
- Filter fans.
- Heaters.
- Thermostats.

Cat. No.	Box Size			Panel Size LxW	Mounting Centres		Wt. Lbs.	Net Price
	L	W	D		L	W		

STEEL SCREW REMOVABLE COVER

1414SCA*	4	4	3	No Panel	4.75	2	2	\$47.85
1414SCC*	6	4	3	4.87x2.87	6.75	2	3	59.39
1414SCG	8	6	3.5	6.87x4.87	8.75	4	7	74.11
1414SCI	6	6	4	4.87x4.87	6.75	4	4.7	69.40
1414SCJ	10	8	4	8.87x6.87	10.75	6	10	93.16
1414SCK	12	10	5	10.75x8.87	12.75	8	13	122.62
1414SCM6	14	12	6	12.75x10.87	14.75	10	19	155.27
1414SCO6	16	14	6	14.87x12.87	16.75	12	23	184.91
1414SCM8	14	12	8	12.75x10.87	14.75	10	20	207.33
1414SCO10	16	14	10	14.75x12.87	16.75	12	25	282.44

All dimensions in inches.
*Does not meet JIC requirements.



NEMA TYPE 4 JIC ENCLOSURES 1414 N4 SERIES CLAMPED, LIFT OFF COVER INNER PANEL INCLUDED

APPLICATION:

- Designed for use as instrument enclosures, electric, hydraulic or pneumatic control housings, electrical junction boxes or terminal wiring enclosures.
- Provides protection where equipment may be hosed down or otherwise be very wet, or in outdoor applications for full weather protection.

Continued on next page....

Hammond Industrial Wallmount Enclosures

MANU
195
CODE

STANDARDS:

- NEMA Type 4, 12, 3R, and 13.
- UL 508 Type 4, 12, 3R, and 13.
- CSA Type 4, 3R, 12, and 13.
- JIC EGP-1-1967.
- IEC 529, IP66.

CONSTRUCTION:

- Formed from 16 gauge or 14 gauge steel.
- Smooth, continuously welded seams without knockouts, cutouts or holes.
- Welded brackets provide for enclosure mounting.
- Lift off cover is secured with stainless steel clamps and screws.
- Oil resistant gaskets are permanently secured.
- All models larger than 4" x 4" include a removable 14 gauge inner panel.
- Weldnuts are provided for mounting inner panels.
- A grounding stud is provided in the enclosure.

FINISH:

- Cover and enclosure are phosphatized primed and finished in ANSI/ASA 61 grey recoatable powder paint.
- Removable inner panel is finished in white powder paint.

ACCESSORIES:

- Breather kits.
- Door clamping hardware.
- Filter fans.
- Heaters.
- Spare inner panels.
- Terminal kit assemblies.
- Thermostats.
- Louvered ventilating plates.
- Window kits.

FINISH:

- Cover and enclosure are phosphatized primed and finished in ANSI/ASA 61 grey recoatable powder paint.
- Removable inner panel is finished in white powder paint.

ACCESSORIES:

- Breather kits.
- Door clamping hardware.
- Filter fans.
- Heaters.
- Spare inner panels.
- Terminal kit assemblies.
- Thermostats.
- Louvered ventilating plates.
- Window kits.

Cat. No.	Dimensions			Panel Size L x W	Centres		Ship Wt. (Lbs.)	Net Price
	L	W	D		L	W		
1414N4PHC ¹	6	4	3.0	4.88 x 2.88	6.75	2	2	\$81.62
1414N4PHG	8	6	3.5	6.75 x 4.88	8.75	4	3	101.51
1414N4PHE	6	6	4.0	4.88 x 4.88	6.75	4	6	92.76
1414N4PHI	10	8	4.0	8.75 x 6.88	10.75	6	10	123.42
1414N4PHI6	10	8	6.0	8.75 x 6.88	10.75	6	12	141.98
1414N4PHK	12	10	5.0	10.75 x 8.88	12.75	8	15	158.20
1414N4PHL6	12	12	6.0	10.75 x 10.88	12.75	10	25	167.96
1414N4PHM6	14	12	6.0	12.75 x 10.88	14.75	10	21	199.89
1414N4PHO6	16	14	6.0	14.75 x 12.88	16.75	12	26	237.53
1414N4PHM8	14	12	8.0	12.75 x 10.88	14.75	10	22	214.33
1414N4PHO10	16	14	10.0	14.75 x 12.88	16.75	12	28	275.58

WITHOUT INNER PANEL

1414N4PHA ¹	4	4	3.0	—	4.75	2	1	68.25
1414N4PHCLP ¹	6	4	3.0	—	6.75	2	2	77.27
1414N4PHGLP	8	6	3.5	—	8.75	4	5	95.47
1414N4PHEL	6	6	4.0	—	6.75	4	4	87.53
1414N4PHILP	10	8	4.0	—	10.75	6	9	115.18
1414N4PHI6LP	10	8	6.0	—	10.75	6	11	133.75
1414N4PHKLP	12	10	5.0	—	12.75	8	14	147.05
1414N4PHL6LP	12	12	6.0	—	12.75	10	24	154.84
1414N4PHM6LP	14	12	6.0	—	14.75	10	20	185.25
1414N4PHO6LP	16	14	6.0	—	16.75	12	24	218.15
1414N4PHM8LP	14	12	8.0	—	14.75	10	20	200.02
1414N4PHO10LP	16	14	10.0	—	16.75	12	26	255.93

¹Does not meet JIC requirements.

Cat. No.	Dimensions			Panel Size L x W	Centres		Ship Wt. (Lbs.)	Net Price
	L	W	D		L	W		
1414N4A	4	4	3.0	—	4.75	2	2	\$59.22
1414N4C	6	4	3.0	4.88 x 2.88	6.75	2	3	71.73
1414N4G	8	6	3.5	6.75 x 4.88	8.75	4	6	89.29
1414N4E	6	6	4.0	4.88 x 4.88	6.75	4	6	83.67
1414N4I	10	8	4.0	8.75 x 6.88	10.75	6	10	111.78
1414N4K	12	10	5.0	10.75 x 8.88	12.75	8	15	143.22
1414N4M6	14	12	6.0	12.75 x 10.88	14.75	10	20	181.69
1414N4O6	16	14	6.0	14.75 x 12.88	16.75	12	26	215.69
1414N4M8	14	12	8.0	12.75 x 10.88	14.75	10	22	188.71
1414N4O10	16	14	10.0	14.75 x 12.88	16.75	12	30	265.60



**NEMA TYPE 4 JIC ENCLOSURES
1414 N4 PH SERIES
CONTINUOUS HINGE, CLAMPED COVER
INNER PANEL INCLUDED**

APPLICATION:

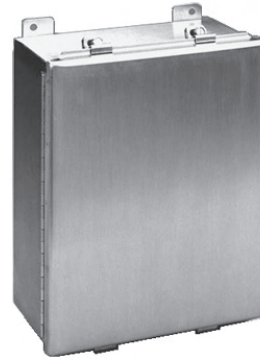
- Designed for use as instrument enclosures, electric, hydraulic or pneumatic control housings, electrical junction boxes or terminal wiring enclosures.
- Provides protection where equipment may be hosed down or otherwise be very wet, or in outdoor applications for full weather protection.

STANDARDS:

- NEMA Type 4, 3R, 12, and 13.
- UL 508 Type 4, 12, 3R, and 13.
- CSA Type 4, 12, 3R, and 13.
- JIC EGP-1-1967 except those marked¹.
- IEC 529, IP66.

CONSTRUCTION:

- Formed from 16 gauge or 14 gauge steel.
- Smooth, continuously welded seams without knockouts, cutouts or holes.
- Welded brackets provide for enclosure mounting.
- Continuous hinged cover is secured with stainless steel clamps and screws.
- Stainless steel continuous hinge on door may be removed by pulling the stainless steel hinge pin.
- Oil resistant gaskets are permanently secured.
- All models larger than 4" x 4" include a removable 14 gauge inner panel.
- Weldnuts are provided for mounting inner panels.
- A bonding stud is provided on the door and a grounding stud is provided in the enclosure.



**NEMA STAINLESS STEEL JIC ENCLOSURES
1414 N4 PHSS SERIES
CONTINUOUS HINGE, CLAMPED COVER
PANEL INCLUDED**

APPLICATION:

- Designed for use as instrument enclosures, electric, hydraulic or pneumatic control housings, electrical junction boxes or terminal wiring enclosures. Provides protection where equipment may be hosed down or be very wet, or in applications where serious corrosion may be a problem.

STANDARDS:

- NEMA Type 12, Type 13, Type 4, Type 4X, and 3R.
- UL 508 Type 12, Type 4, Type 4X, and 3R.
- CSA Type 4, Type 4X, Type 12, and 3R.
- JIC EGP-1-1967.
- IEC 529, IP66.

CONSTRUCTION:

- Formed from 14 gauge Type 304 stainless steel without knockouts, cutouts or holes.
- Smooth, continuously welded seams.
- Welded brackets provide for enclosure mounting.
- Continuous stainless steel hinged cover is secured with stainless steel clamps and screws.
- Oil resistant gaskets are permanently secured.
- All models larger than 4" x 4" include a removable 14 gauge inner panel.
- Weldnuts are provided for mounting inner panels.
- A bonding stud is provided on the door and a grounding stud is provided in the enclosure.

Continued on next page....

Hammond Industrial Wallmount Enclosures MANU 195 CODE

FINISH:

- Cover and enclosure are natural, unfinished stainless with a smooth brushed finish.
- Removable inner panel is finished in white powder paint.

ACCESSORIES:

- Spare inner panels.
- Spare cover clamping hardware.
- Terminal kit assembly.
- Ventilating plates.
- Window kit.
- Breather kits.
- Filter fans.
- Heaters.
- Thermostat.

DIMENSIONS:

Series	Enclosure Size			Panel Size L x W	Centres	
	L	W	D		L	W
1414N4PHSSC4/LP	6	4	4	4.87 x 2.87	6.75	2
1414N4PHSSE/LP	6	6	4	4.87 x 4.87	6.75	4
1414N4PHSSG/LP	8	6	3.5	6.75 x 4.87	8.75	4
1414N4PHSSG4/LP	8	6	4	6.75 x 4.87	8.75	4
1414N4PHSSI/LP	10	8	4	8.75 x 6.87	10.75	6
1414N4PHSSK/LP	12	10	5	10.75 x 8.87	12.75	8
1414N4PHSSL6/LP	12	12	6	10.75 x 10.87	12.75	10
1414NPHSSM6/LP	14	12	6	12.75 x 10.87	14.75	10
1414N4PHSSO6/LP	16	14	6	14.75 x 12.87	16.75	12
1414N4PHSSM8/LP	14	12	8	12.75 x 10.87	14.75	10
1414N4PHSSO10/LP	16	14	10	14.75 x 12.87	16.75	12

Cat. No.	Wt. Lbs.	Net Price
----------	----------	-----------

STAINLESS STEEL CLAMPED HINGED COVER ENCLOSURE

1414N4PHSSC4	5	\$240.07
1414N4PHSSE	6	268.64
1414N4PHSSG	6	291.02
1414N4PHSSG4	7	307.00
1414N4PHSSI	10	370.38
1414N4PHSSK	15	504.76
1414N4PHSSL6	20	572.96
1414N4PHSSM6	21	644.69
1414N4PHSSO6	26	748.47
1414N4PHSSM8	22	646.40
1414N4PHSSO10	28	806.67

STAINLESS STEEL ENCLOSURE LESS INNER PANEL

1414N4PHSSC4LP	5	241.05
1414N4PHSSELPL	6	263.40
1414N4PHSSG4LP	6	285.00
1414N4PHSSG4LP	7	28.22
1414N4PHSSILP	10	362.15
1414N4PHSSKLP	15	493.60
1414N4PHSSL6LP	20	559.85
1414N4PHSSM6LP	21	630.05
1414N4PHSSO6LP	26	729.09
1414N4PHSSM8LP	22	631.76
1414N4PHSSO10LP	28	787.31



**NEMA TYPE 4 SINGLE DOOR ENCLOSURES
1418 N4 SERIES
PANEL INCLUDED**

APPLICATION:

- Designed for use as instrument enclosures, electric, hydraulic or pneumatic control housings, electrical junction boxes or terminal wiring enclosures.
- Provides protection where equipment may be hosed down or otherwise be very wet, or in outdoor applications for full weather protection.

STANDARDS:

- NEMA Type 4, 12, 13, and 3R.
- UL 508 Type 4, 12, and 3R.
- CSA Type 4, 12, and 3R.
- JIC/EGP-1-1967 except those marked¹.
- IEC 529, IP66.

CONSTRUCTION:

- Formed 14 gauge steel bodies and doors.
- Smooth, continuously welded seams without knockouts, cutouts, or holes.
- Door and body stiffeners are provided in the larger enclosures for extra rigidity.
- Welded brackets provide for enclosure mounting.
- Formed lip on door and enclosure exclude flowing liquids and contaminants.
- Stainless steel continuous hinge on door may be removed by pulling the stainless steel hinge pin.
- Door is secured with easily operated stainless steel clamps.
- Provision for padlocking.
- Oil resistant gaskets are permanently secured and mechanically retained.
- A removable 12 gauge inner panel is included.
- Collar studs are provided for mounting inner panels.
- A bonding stud is provided on the door and a grounding stud is provided in the enclosure.
- A literature pocket is provided for the inside of the door.

FINISH:

- Cover and enclosure are finished in ANSI/ASA 61 grey recoatable powder paint.
- Removable inner panel is finished in white powder paint.

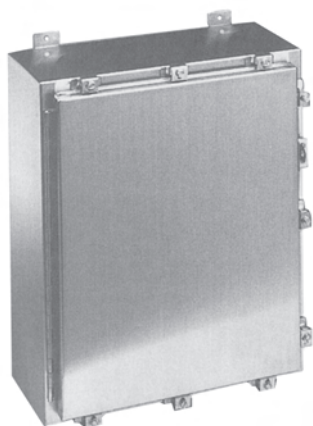
ACCESSORIES:

- Breather kits.
- Door stop kits.
- Drip shield kits.
- Enclosure stabilizers.
- Filter fans.
- Floor stand kits.
- Heaters.
- Lock kit.
- Quick release clamp.
- Spare door clamping hardware.
- Spare inner panels.
- Terminal kit assemblies.
- Thermostats.
- Louvered ventilating plates.
- Window kits.

Cat. No.	Dimensions			Panel Size		Mtg. Centres		Ship Wt. Lbs.	Net Price
	H	W	D	H	W	H	W		
1418N4B6*	16	12	6	13	9	9.5	17.25	27	\$403.91
1418N4G6*	16	16	6	13	13	10.0	17.25	34	439.56
1418N4CR6*	16	20	6	13	17	14.0	17.25	41	487.36
1418N4C6*	20	16	6	17	13	10.0	21.25	40	474.91
1418N4D6*	20	20	6	17	17	14.0	21.25	40	518.04
1418N4AR6	24	12	6	21	9	9.5	25.25	41	475.36
1418N4H6	24	16	6	21	13	10.0	25.25	42	524.31
1418N4E6	24	20	6	21	17	14.0	25.25	56	581.60
1418N4J6	24	24	6	21	21	18.0	25.25	65	632.02
1418N4F6	30	20	6	27	17	14.0	31.25	70	647.33
1418N4K6	30	24	6	27	21	18.0	31.25	80	708.82
1418N4L6	36	24	6	33	21	18.0	37.25	91	787.84
1418N4B8*	16	12	8	13	9	9.5	17.25	29	422.56
1418N4C8*	20	16	8	17	13	10.0	21.25	44	498.91
1418N4D8*	20	20	8	17	17	14.0	21.25	51	544.44
1418N4ER8	20	24	8	17	21	18.0	21.25	55	611.35
1418N4E8	24	20	8	21	17	14.0	25.25	60	596.04
1418N4J8	24	24	8	21	21	18.0	25.25	70	647.89
1418N4KR8	24	30	8	21	27	24.0	25.25	74	745.42
1418N4F8	30	20	8	27	17	14.0	31.25	79	681.13
1418N4K8	30	24	8	27	21	18.0	31.25	88	726.98
1418N4KK8	30	30	8	27	27	24.0	31.25	106	839.09
1418N4L8	36	24	8	33	21	18.0	37.25	101	808.35
1418N4M8	36	30	8	33	27	24.0	37.25	121	931.55
1418N4O8 ¹	42	30	8	39	27	24.0	43.25	132	1054.27
1418N4P8 ¹	42	36	8	39	33	30.0	43.25	177	1185.25
1418N4S8 ¹	48	36	8	45	33	30.0	49.25	207	1299.42
1418N4T8 ¹	60	36	8	57	33	30.0	61.25	245	1529.27
1418N4C10*	20	16	10	17	13	10.0	21.25	47	522.47
1418N4E10	24	20	10	21	17	14.0	25.25	66	625.24
1418N4K10	30	24	10	27	21	18	31.25	91	762.51
1418N4M10	36	30	10	33	27	24	37.25	125	975.69
1418N4R10 ¹	48	30	10	45	27	24	49.25	175	1205.18
1418N4S10 ¹	48	36	10	45	33	30	49.25	183	1357.07
1418N4T10 ¹	60	36	10	57	33	30	61.25	252	1594.75
1418N4E12	24	20	12	21	17	14	25.25	71	682.45
1418N4K12	30	24	12	27	21	18	31.25	95	798.24
1418N4L12	36	24	12	33	21	18	37.25	106	917.96
1418N4M12	36	30	12	33	27	24	37.25	136	1020.55
1418N4P12 ¹	42	36	12	39	33	30	43.25	202	1287.47
1418N4S12 ¹	48	36	12	45	33	30	49.25	225	1379.85
1418N4K16	30	24	16	27	21	18	31.25	100	963.84
1418N4M16	36	30	16	33	27	24	37.25	149	1108.09
1418N4S16 ¹	48	36	16	45	33	30	49.25	290	1490.18
1418N4T16 ¹	60	36	16	57	33	30	61.25	232	1746.38

¹Does not meet JIC requirements.

*Flat Panel.



STAINLESS STEEL SINGLE DOOR ENCLOSURES 1418 N4 SS SERIES PANEL INCLUDED

APPLICATION:

- Designed for use as instrument enclosures, electric, hydraulic or pneumatic control housings, electrical junction boxes or terminal wiring enclosures.
- Provides protection where equipment may be hosed down or otherwise by very wet, or in specific applications where corrosion is a serious problem.

STANDARDS:

- NEMA Type 4, 4X, 12, 13, and 3R.
- UL 508 Type 4, 4X, 12, and 3R.
- CSA Type 4, 4X, 12, and 3R.
- JIC EGP-1-1967 except those marked[†].
- IEC 529, IP66.

CONSTRUCTION:

- Formed 14 gauge Type 304 stainless steel bodies.
- Smooth, continuously welded seams without knockouts, cutouts or holes.
- Door and body stiffeners are provided in the larger enclosures for extra rigidity.
- Welded brackets provide for enclosure mounting.
- Formed lip on door and enclosure exclude flowing liquids and contaminants.
- Stainless steel continuous hinge on door may be removed by pulling the stainless steel hinge pin.
- Door is secured with easily operated stainless steel clamps.
- Provision for padlocking.
- Oil resistant gaskets are permanently secured.
- A removable 12 gauge inner panel is included.
- Collar studs are provided for mounting inner panels.
- A bonding stud is provided on the door and a grounding stud is provided in the enclosure.
- A literature pocket is provided for the inside of the door.

FINISH:

- Cover and enclosure are unfinished natural stainless steel with a brushed finish on the front surfaces.
- Removable inner panel is finished in white powder paint.

Cat. No.	H	W	D	Net Price
1418N4SSB6†	16	12	6	\$871.22
1418N4SSG6†	16	16	6	969.58
1418N4SSCR6†	16	20	6	1067.29
1418N4SSC6†	20	16	6	1067.29
1418N4SSD6†	20	20	6	1184.15
1418N4SSE6	24	20	6	1305.02
1418N4SSB8	16	12	8	930.29
1418N4SSC8†	20	16	8	1142.04
1418N4SSD8†	20	20	8	1261.89
1418N4SSER8	20	24	8	1396.85
1418N4SSH8	24	16	8	1247.73
1418N4SSE8	24	20	8	1396.85
1418N4SSJ8	24	24	8	1537.53
1418N4SSKR8	24	30	8	1753.56
1418N4SSF8	30	20	8	1583.58
1418N4SSK8	30	24	8	1753.56
1418N4SSKK8	30	30	8	2025.05
1418N4SSL8	36	24	8	1968.67
1418N4SSM8	36	30	8	2276.89
1418N4SSP8†	42	36	8	2873.67
1418N4SSS8†	48	36	8	3169.38
1418N4SSC10	20	16	10	1217.49
1418N4SSE10	24	20	10	1486.53
1418N4SSL10	36	24	10	2093.24
1418N4SSM10	36	30	10	2412.85
1418N4SSO10†	42	30	10	2682.91
1418N4SSJ12	24	24	12	1737.55

†Flat Panel.

†Does not meet JIC requirements.

Cat. No.	H	W	D	Net Price
1418N4SSK12	30	24	12	\$1975.65
1418N4SSM12	36	30	12	2550.24
1418N4SSL12†	36	36	12	2871.96
1418N4SSS12†	48	36	12	3517.45
1418N4SST12†	60	36	12	4162.29
1418N4SSK16	30	24	16	2199.87
1418N4SSM16	36	30	16	2823.56
1418N4SSS16†	48	36	16	3863.40

†Flat Panel.

†Does not meet JIC requirements.



NEMA TYPE 4 SINGLE DOOR ENCLOSURES SERIES 2000 WALLMOUNTS

APPLICATION:

- Designed to enclose electrical or electronic components, controls and instruments.
- Also suitable for junction or terminal wiring.
- Provides protection where equipment may be hosed down or otherwise by very wet, or in outdoor applications for full weather protection.
- Attractive design offers high tech styling and convenient user features.

STANDARDS:

- NEMA Type 3R, 4, 12, and 13.
- UL 508 Type 3R, 4, and 12.
- CSA Type 3R, 4, and 12.
- IEC 529, IP66.
- EIA RS-310-D.

CONSTRUCTION:

- Formed 14 gauge steel bodies with 14 gauge steel doors.
- Smooth, continuously welded seams without knockouts, cutouts or holes.
- Body stiffeners are provided where required for increased strength and rigidity.
- Door profiles provide increased strength and are pre-punched to provide mounting options.
- Formed lip on door and enclosure exclude flowing liquids and contaminants.
- Doors may be easily removed, reversed or interchanged.
- Slotted quarter turn oil-tight latches secure the door, with optional tamper resistant and locking latches available.
- Steel hinges are painted black.
- Oil resistant gaskets are permanently secured.
- Compression stops ensure optimum gasket performance.
- Collar studs are provided for mounting inner panels and accessories.
- A bonding screw is provided on the door and a grounding stud is provided in the enclosure.
- A literature pocket is provided for the inside of the door except as noted.[†]

FINISH:

- Cover and enclosure are finished in recoatable ANSI/ASA 61 grey powder paint.
- Optional steel inner panels are finished in white powder paint.

ACCESSORIES:

- Series 2000 accessories.
- Breather kits.
- Enclosure stabilizers.
- Filter fans.
- Fixed rack mounting kits.
- Floor stand kits.
- Heaters.
- Inner panels.
- Locking handles.
- Louvered ventilating plates.
- Mounting foot kits.
- S2000 replacement hinges.
- S2000 replacement quarter turns.
- Swing frames.
- Swing panels.
- Terminal kit assemblies.
- Thermostats.
- Window doors.

Continued on next page....

Hammond Industrial Wallmount Enclosures

MANU
195
CODE

Cat. No.	Dimensions			Panel	Panel Dim.		Ship Wt. (Lbs.)	Net Price
	H	W	D		H	W		
2P12126 ¹	12	12	6	18P0909	9	9	14	\$287.27
2P16126 ¹	16	12	6	18P1309	13	9	17	306.58
2P16166	16	16	6	18P1313	13	13	21	330.35
2P20166	20	16	6	18P1713	17	13	25	354.00
2P20206	20	20	6	18P1717	17	17	28	381.96
2P20168	20	16	8	18P1713	17	13	27	373.38
2P24168	24	16	8	18P2113	21	13	30	399.18
2P16208	16	20	8	18P1713	13	17	26	373.35
2P20208	20	20	8	18P1717	17	17	32	403.44
2P24208	24	20	8	18P2117	21	17	35	433.64
2P30208	30	20	8	18P2717	27	17	44	478.80
2P20248	20	24	8	18P2117	17	21	36	433.60
2P24248	24	24	8	18P2121	21	21	46	468.07
2P30248	30	24	8	18P2721	27	21	56	519.82
2P36248	36	24	8	18P3321	33	21	64	571.38
2P30308	30	30	8	18P2727	27	27	74	581.04
2P36308	36	30	8	18P3327	33	27	91	642.40
2P242412	24	30	12	18P2121	21	21	53	519.82
2P302412	30	24	12	18P2721	27	21	69	577.85
2P482412	48	24	12	18P4521	45	21	130	752.16
2P363012	36	30	12	18P3327	33	27	98	713.49
2P423612	42	36	12	18P3933	39	33	135	868.49
2P483612	48	36	12	18P4533	45	33	147	945.95
2P242416	24	24	16	18P2121	21	21	75	571.36
2P363016	36	30	16	18P3327	33	27	117	784.47
2P483616	48	36	16	18P4533	45	33	158	1037.07

¹Less literature pocket.

NOTE: Inner panel ordered separate. Steel finished in white powder paint.



SINGLE DOOR STAINLESS STEEL ENCLOSURES SERIES 2000 WALLMOUNTS

APPLICATION:

- Designed to enclose electrical or electronic components, controls and instruments.
- Provides protection where equipment may be exposed to large amounts of water, or where highly corrosive conditions exist.
- Attractive design provides high tech styling and convenient user features.

STANDARDS:

- NEMA Type 4, 4X, 12, 13, and 3R.
- UL 508 Type 3R, 4, 4X, and 12.
- CSA Type 3R, 4, 4X, and 12.
- IEC 529, IP66.
- EIA RS-310-D.

CONSTRUCTION:

- Formed 14 gauge type 304 stainless steel bodies, with 14 gauge stainless steel doors.
- Smooth, continuously welded seams without knockouts, cutouts or holes.
- Body stiffeners are provided where required for increased strength and rigidity.
- Door profiles provide increased strength and are pre-punched to provide mounting options.
- Formed lip on door and enclosure exclude flowing liquids and contaminants.
- Doors may be easily removed, reversed or interchanged.
- Stainless steel slotted quarter turn oil-tight latches secure the door, with optional tamper resistant and locking latches available.
- Oil resistant gaskets are permanently secured.
- Compression stops ensure optimum gasket performance.
- Collar studs are provided for mounting inner panels and accessories.
- Standard hinge pins are easily removed to allow doors to be removed or reversed.
- A bonding screw is provided on the door and a grounding stud is provided in the enclosure.
- Comes with type 304 stainless steel hinges.
- A literature pocket is supplied for the inside of the door except as noted.

FINISH:

- Natural stainless steel with a smooth brushed finish.
- Optional inner panel is finished in white powder paint.

ACCESSORIES:

- Series 2000 accessories.
- Breather kits.
- Enclosure stabilizers.
- Filter fans.
- Floor stand kits.
- Heaters.
- Locking handles.
- Louvered ventilating plates.
- Mounting foot kits.
- S2000 replacement hinges.
- S2000 replacement quarter turns.
- Inner panels.
- Terminal kit assemblies.
- Thermostats.
- Window kits.

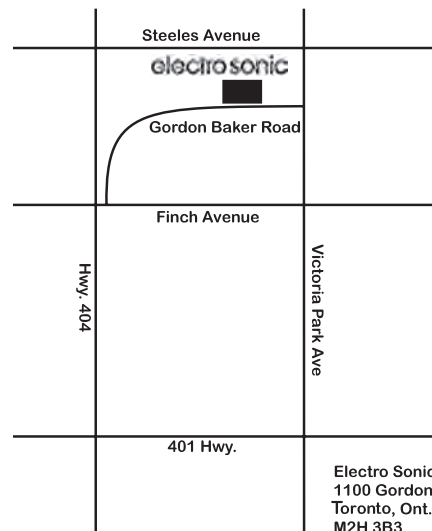
Cat. No.	Dimensions			Panel	Panel Dim.		Ship Wt. (Lbs.)	Net Price
	H	W	D		H	W		
2S12126 ¹	12	12	6	18P0909	9	9	14	\$821.04
2S16126 ¹	16	12	6	18P1309	13	9	17	900.51
2S16166	16	16	6	18P1313	13	13	21	997.96
2S20168	20	16	8	18P1713	17	13	27	1174.45
2S24168	24	16	8	18P2113	21	13	30	1280.87
2S20208	20	20	8	18P1717	17	17	32	1298.67
2S24208	24	20	8	18P2117	21	17	35	1421.95
2S20248	20	24	8	18P2117	17	21	36	1421.47
2S24248	24	24	8	18P2121	21	21	46	1562.95
2S30248	30	24	8	18P2721	27	21	56	1775.04
2S36248	36	24	8	18P3321	33	21	64	1987.07
2S30308	30	30	8	18P2727	27	27	74	2026.73
2S36308	36	30	8	18P3327	33	27	91	2278.95
2S423612	42	36	12	18P3933	39	33	135	3205.91
2S483612	48	36	12	18P4533	45	33	147	3524.35

¹Less literature pocket.

NOTE: Inner panel ordered separate. Steel finished in white powder paint.

SALES COUNTER LOCATION

TORONTO, ONTARIO



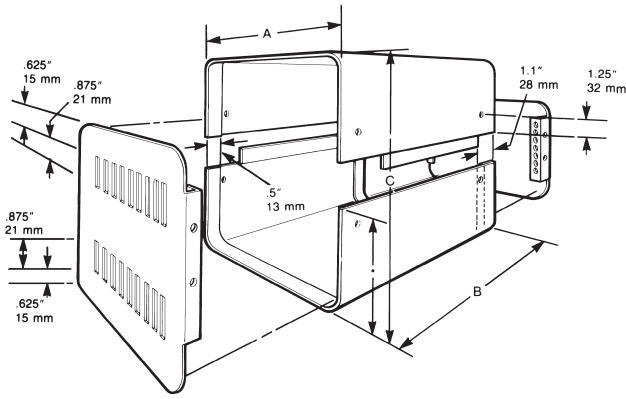
Electro Sonic Inc.
1100 Gordon Baker Road
Toronto, Ont.
M2H 3B3

HOURS: MON-FRI 8:00 am to 5:00 pm
SAT (Sept. to May) 9:00 am to 2:00 pm

934

PARTS INDICATED WITH A LEAF ARE CONSIDERED RoHS JULY 2006 COMPLIANT
BASED ON THE MANUFACTURER'S CONFIRMATION AT THE TIME OF PUBLISHING.
PRICES SUBJECT TO CHANGE WITHOUT NOTICE, APPLICABLE TAXES NOT INCLUDED

electro sonic



*CASE IS SPLIT IN TWO EQUAL HALVES

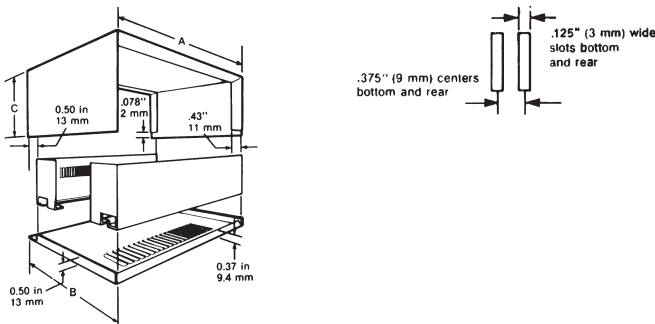
HAMMOND 1401 SERIES VENTILATED HIGH PROFILE INSTRUMENT CASE

18 gauge CRS case with **Sand** coloured powder paint textured finish. Complete with two .064" thick aluminum panels, one **Satin Black** finish and one **Sand**, the rear **Sand** finished panel is vented top and bottom. 6-32 Phillips nickel plated screws and self-adhesive rubber feet are included. The case splits into two equal halves. Use **1448** Series internal rails and chassis (order separately).

HAMMOND 1401 SERIES VENTILATED HIGH PROFILE INSTRUMENT CASES

Cat. No.	Dimensions—mm (Inches)			Wt. Lbs.	Net Price
	A	B	C		
1401AAA	4(101)	6(152)	4.0(101)	#	\$52.12
1401AA	6(152)	6(152)	5.0(127)	#	56.13
1401A	6(152)	10(254)	5.0(127)	#	60.15
1401C	8(203)	10(254)	9.0(229)	#	70.16
1401E	8(203)	8(203)	8.0(203)	#	66.15
1401G	10(254)	12(305)	9.0(229)	#	88.20
1401K	10(254)	14(356)	6.5(165)	7	90.20
1401M	12(305)	8(203)	9.0(229)	5	94.22
1401N	14(356)	8(203)	9.0(229)	7	96.22
1401P	14(356)	10(254)	5.0(127)	7	86.20
1421J6	Replacement Screws (pkg. 6)				4.33

= Under 5 lb. weight.



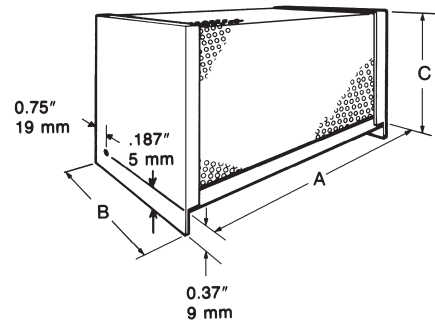
HAMMOND 1426 SERIES VENTILATED LOW PROFILE INSTRUMENT CASES

These 20 gauge CRS enclosures are finished in **Sand** or **Gulf Blue** textured powder paint. Front and rear .064" thick aluminum panels are supplied. The front panel is **Satin Black** finish with the rear panel matching the cabinet colour. Philips nickel plated screws and rubber feet are included. Rear panel and bottom of enclosure is vented.

HAMMOND 1426 SERIES VENTILATED LOW PROFILE INSTRUMENT CASES

Cat. No.	Dimensions—Inches (mm)			Wt. Lbs.	Net Price
	A	B	C		
SANDEX					
1426K	6.0(152)	5.0(127)	4.0(102)	#	\$48.11
1426M	8.0(203)	6.0(152)	4.0(102)	#	50.11
1426O	10.0(254)	7.0(178)	4.0(102)	#	56.13
1426Q	11.0(279)	11.7(297)	5.5(140)	6	56.13
1426S	12.0(305)	6.0(152)	4.0(102)	6	60.14
1426V	12.0(305)	8.0(203)	4.0(102)	6	60.14
1426W	12.0(305)	10.0(254)	4.0(102)	6	64.15
1426Y	12.0(305)	6.0(152)	5.5(140)	6	60.14
BLUETEX					
1426KB	6.0(152)	5.0(127)	4.0(102)	#	48.11
1426MB	8.0(203)	6.0(152)	4.0(102)	#	50.11
1426OB	10.0(254)	7.0(178)	4.0(102)	#	56.13
1426QB	11.0(279)	11.7(297)	5.5(140)	6	56.20
1426SB	12.0(305)	6.0(152)	4.0(102)	6	60.14
1426WB	12.0(305)	10.0(254)	4.0(102)	6	64.15
1426WB	12.0(305)	10.0(254)	4.0(102)	6	64.15
1426YB	12.0(305)	6.0(152)	5.5(140)	6	60.14
1421J6	Replacement Screws (pkg. 6)				4.33

= Weight under 5 lbs.



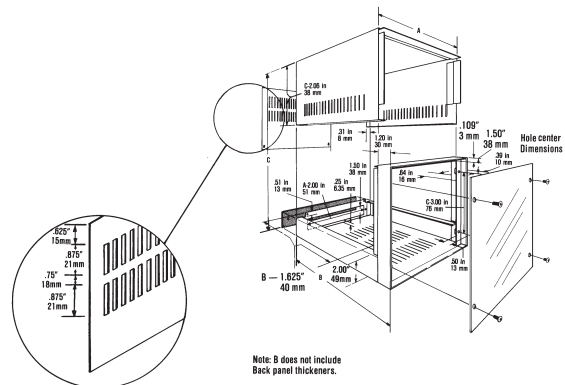
HAMMOND 1451 SERIES VENTILATED METAL CHASSIS COVER

These chassis covers provide good ventilation and protection to prototypes and test assemblies. For use with the **1441** and **1444** Series chassis (not included). Constructed from 20 ga. CRS with ends welded to a perforated steel wrapper, finished in standard ASA 61 **Grey** powder paint and complete with 4 self tapping fastening screws.

HAMMOND 1451 SERIES STEEL VENTILATED METAL CHASSIS COVERS

Cat. No.	Dimensions mm (In.)			For Chassis	Net Lbs.	Net Price
	A	B	C			
1451-10	203(8.0)	102(4.0)	132(5.2)	4x8	#	\$32.38
1451-14	228(9.0)	127(5.0)	132(5.2)	5x9	#	36.62
1451-16	254(10.0)	152(6.0)	132(5.2)	6x10	#	40.60
1451-22	305(12.0)	203(8.0)	132(5.2)	8x12	#	46.33
1451-26	406(16.0)	203(8.0)	132(5.2)	8x16	#	48.31
1451-29	254(10.0)	305(12.0)	132(5.2)	10x12	#	47.27
1451-30	432(17.0)	254(10.0)	132(5.2)	10x17	#	56.04

= Weight under 5 lbs.



Note: B does not include Back panel thickener.

Continued on next page...

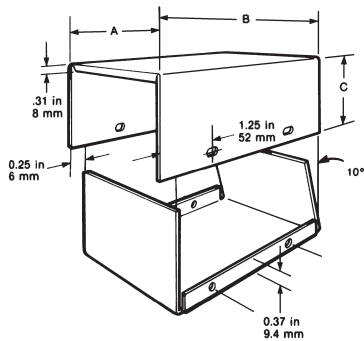
HAMMOND METAL INSTRUMENT CASES 1452 SERIES VENTILATED CHASSIS TYPE INSTRUMENT CASE

20 ga. cover and 18 ga. CRS base and frame finished in **Sand** coloured textured powder paint. .064" thick aluminum panel painted **Satin Black** one side only. Phillips, nickel-plated screws and self-adhesive rubber feet included.

HAMMOND 1452 SERIES VENTILATED CHASSIS TYPE INSTRUMENT CASES

Cat. No.	Dimensions (Inches)			Panel Size		Wt. Lbs.	Net Price
	A	B	C	E	D		
1452DE11	7.5	10.9	8.5	8.25	7.25	7	\$118.22
1452FF13	9.5	12.9	9.5	9.25	9.25	10	143.64
1452FH17	9.5	16.9	11.5	11.25	9.25	12	173.22
1452GC6	10.5	5.9	6.5	6.25	10.25	5	115.35
1452HD7	11.5	6.9	7.5	7.25	11.25	7	116.15
1452KE9	13.5	8.9	8.5	8.25	13.25	9	136.55
1452PG9	17.5	8.9	10.5	10.25	17.25	13	177.29

Note: "B" dimension does not include Back Panel thickeners.



HAMMOND METAL INSTRUMENT CASES 1454 SERIES MINIATURE SLOPE FRONT INSTRUMENT CASE

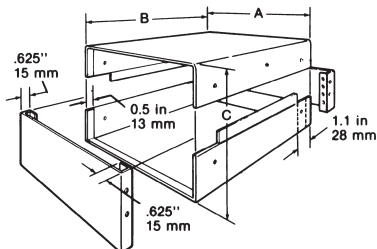
20 ga. CRS. **Semi-Gloss Sand** coloured panels with textured powder paint **Black** covers. 6-32 Phillips, nickel plated screws and self-adhesive rubber feet included. Choice of sloping or vertical front panels by reversing case.

HAMMOND 1454 SERIES MINIATURE SLOPE FRONT INSTRUMENT CASES

Cat. No.	Dimensions Inches (mm)			Wt. Lbs.	Net Price
	A	B	C		
1454C	4.0(102)	2.5(64)	2.0(51)	#	\$14.04
1454E	4.0(102)	5.0(127)	2.0(51)	#	18.04
1454F	4.0(102)	6.0(152)	3.0(76)	#	19.64
1454G	6.0(152)	2.5(64)	2.0(51)	#	16.97
1454H	5.0(127)	7.5(191)	2.5(64)	#	21.21
1454J	4.0(102)	3.0(76)	4.0(102)	#	18.04
1454K	8.0(203)	3.5(89)	2.5(64)	#	20.61
1454L	5.0(127)	6.0(152)	4.0(102)	#	21.21
1454M	4.0(102)	3.0(76)	6.0(152)	#	19.64
1454P	10.0(254)	5.0(127)	3.5(89)	#	24.05
1454R	5.0(127)	5.0(127)	7.5(191)	#	22.42

= Weight under 5 lbs.

NOTE: Models with "B" dimension less than 5 inches (127mm) have only one hole per side, centred in "B".



HAMMOND 1458 SERIES LOW PROFILE INSTRUMENT CASES

These symmetrically designed (either end can be front), 18 gauge CRS cases are finished in either **Black** or **Gulf Blue** textured powder paint. Each case comes complete with; two .064" thick aluminum panels (one in **Satin Black** and one in **Smoke White** finish), 6-32 Phillips nickel plated screws and self-adhesive rubber feet. The case is split in two equal halves. Use **1448** Series internal rails (both top and bottom covers can then be removed without affecting component to panel connections).

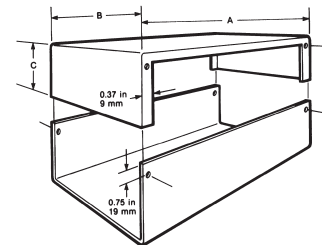
HAMMOND 1458 SERIES LOW PROFILE INSTRUMENT CASES

Cat. No.	Dimensions—Inches (mm)			Wt. Lbs.	Net Price
	A	B	C		
BLACKTEX					
1458A3	4(101)	4(101)	3(76.2)	#	\$38.18
1458B4	6(152)	4(101)	4(101)	#	42.33
1458C3	6(152)	6(152)	3(76.2)	#	38.18
1458C4	6(152)	6(152)	4(101)	#	39.45
1458D3	8(203)	8(203)	3(76.2)	#	46.15
1458D4	8(203)	8(203)	4(101)	#	48.69
1458D5	8(203)	8(203)	5(127)	#	52.51
1458E3	8(203)	10(254)	3(76.2)	#	49.96
1458E4	8(203)	10(254)	4(101)	#	52.82
1458E5	8(203)	10(254)	5(127)	#	55.69
1458G3	10(254)	8(203)	3(76.2)	#	52.82
1458G4	10(254)	8(203)	4(101)	#	57.27
1458G5	10(254)	8(203)	5(127)	#	54.09

BLUETEX

1458A3B	4(101)	4(101)	3(76.2)	#	38.18
1458B4B	6(152)	4(101)	4(101)	#	42.33
1458C3B	6(152)	6(152)	3(76.2)	#	38.18
1458C4B	6(152)	6(152)	4(101)	#	39.45
1458D3B	8(203)	8(203)	3(76.2)	#	46.15
1458D4B	8(203)	8(203)	4(101)	#	48.69
1458D5B	8(203)	8(203)	5(127)	#	52.51
1458E3B	8(203)	10(254)	3(76.2)	#	49.96
1458E4B	8(203)	10(254)	4(101)	#	52.82
1458E5B	8(203)	10(254)	5(127)	#	55.69
1458G3B	10(254)	8(203)	3(76.2)	#	52.82
1458G4B	10(254)	8(203)	4(101)	#	57.27
1458G5B	10(254)	8(203)	5(127)	#	54.09

= Weight under 5 lbs.



HAMMOND GENERAL PURPOSE CASES 1411 ALUMINUM UTILITY CASE

.040" thick aluminum with ASA 61 **Grey** baked enamel finish (outside only). 4 self-tapping screws are included.

HAMMOND 1411 SERIES ALUMINUM UTILITY CASES

Cat. No.	Dimensions mm (In.)			Wt. Lbs.	Net Price
	A	B	C		
1411B	69(2.7)	56(2.2)	41(1.6)	#	\$6.66
1411C	81(3.2)	56(2.2)	28(1.1)	#	6.76
1411D	81(3.2)	56(2.2)	41(1.6)	#	6.80
1411F	102(4.0)	56(2.2)	76(3.0)	#	7.46
1411G	102(4.0)	56(2.2)	41(1.6)	#	7.06
1411H	102(4.0)	56(2.2)	56(2.2)	#	7.18
1411K	127(5.0)	56(2.2)	56(2.2)	#	8.24
1411L	127(5.0)	102(4.0)	76(3.0)	#	10.72
1411M	152(6.0)	76(3.0)	76(3.0)	#	12.00
1411N	127(5.0)	76(3.0)	56(2.2)	#	8.76
1411P	152(6.0)	127(5.0)	102(4.0)	#	15.02
1411Q	178(7.0)	127(5.0)	76(3.0)	#	14.64
1411R	203(8.0)	152(6.0)	89(3.5)	#	24.00
1411S	203(8.0)	102(4.0)	76(3.0)	#	22.00
1411T	254(10.0)	56(2.2)	41(1.6)	#	24.10
1411U	254(10.0)	152(6.0)	89(3.5)	#	29.22
1411W	305(12.0)	76(3.0)	56(2.2)	#	28.00
1411X	305(12.0)	178(7.0)	102(4.0)	#	35.00
1411Z	432(17.0)	127(5.0)	102(4.0)	#	38.00

ASA 61 **Grey** powder paint (outside only), only finish available.

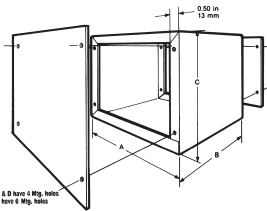
= Weight under 5 lbs.

Continued on next page....

HAMMOND 1411 SERIES ALUMINUM UTILITY CASES—UNPAINTED

Cat. No.	Dimensions mm (In.)			Wt. Lbs.	Net Price
	A	B	C		
1411BU	69(2.7)	56(2.2)	41(1.6)	#	\$4.32
1411CU	81(3.2)	56(2.2)	28(1.1)	#	4.60
1411DU	81(3.2)	56(2.2)	41(1.6)	#	4.96
1411FU	102(4.0)	56(2.2)	76(3.0)	#	6.13
1411GU	102(4.0)	56(2.2)	41(1.6)	#	5.36
1411HU	102(4.0)	56(2.2)	56(2.2)	#	5.76
1411KU	127(5.0)	56(2.2)	56(2.2)	#	7.14
1411LU	127(5.0)	102(4.0)	76(3.0)	#	8.88
1411MU	152(6.0)	76(3.0)	76(3.0)	#	10.00
1411NU	127(5.0)	76(3.0)	56(2.2)	#	7.60
1411PU	152(6.0)	127(5.0)	102(4.0)	#	12.68
1411QU	178(7.0)	127(5.0)	76(3.0)	#	12.13
1411RU	203(8.0)	152(6.0)	89(3.5)	#	17.90
1411SU	203(8.0)	102(4.0)	76(3.0)	#	16.00
1411TU	254(10.0)	56(2.2)	41(1.6)	#	18.00
1411UU	254(10.0)	152(6.0)	89(3.5)	#	22.48
1411WU	305(12.0)	76(3.0)	56(2.2)	#	22.00
1411XU	305(12.0)	178(7.0)	102(4.0)	#	28.48
1411ZU	432(17.0)	127(5.0)	102(4.0)	#	32.00

= Weight under 5 lbs.



1415 SERIES

HAMMOND 1415 SERIES METAL UTILITY CASE

These ASA 61 Grey powder paint finished metal utility cases come complete with either four or six self tapping screws. Models **A—E** are 20 ga .036" thick and models **F—J** are 18 ga .048" thick steel. Models **A, B, C** and **D** have 4 mtg. holes, a d models **E** to **J** have 6 mtg. holes. Interchangeable front and rear panels are screwed to the wrap-around sleeve.

METAL UTILITY CASE:

- Series A-E = 20 ga. .036" thick.
- Series F-J = 18 ga. .048" thick.
- ASA 61 grey powder paint.
- Self tapping screws included.

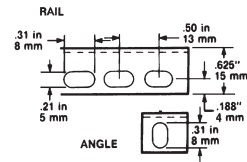
HAMMOND 1415 SERIES STEEL UTILITY CASES

Cat. No.	Dimensions mm (Inches)			Wt. Lbs.	Net Price
	A	B	C		
1415A	102(4.0)	51(2.0)	102(4.0)	#	\$15.22
1415B	102(4.0)	76(3.0)	127(5.0)	#	15.46
1415C	152(6.0)	102(4.0)	127(5.0)	#	19.66
1415D	152(6.0)	152(6.0)	152(6.0)	#	30.16
1415E	229(9.0)	127(5.0)	152(6.0)	#	32.65
1415F	254(10.0)	178(7.0)	203(8.0)	#	49.41
1415G	305(12.0)	152(6.0)	178(7.0)	#	49.14
1415H	255(10.0)	204(8.0)	255(10.0)	#	63.61
1415I	305(12.0)	203(8.0)	279(11.0)	#	71.71
1415J	383(15)	179(7.0)	230(9.0)	#	70.22

NOTE: Models **A—E** have 4 Mtg. holes, 20 ga. .036" thick steel. Models **F—J** have 6 mtg. holes, 18 ga. .048" thick steel.

ASA 61 Grey powder paint only finish available.

= Weight under 5 lbs.

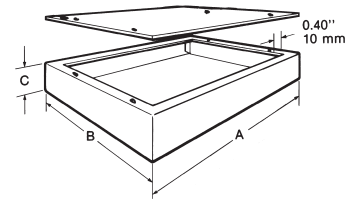


HAMMOND INTERNAL CASE MOUNTING RAILS 1448 SERIES CHASSIS COMPONENT RAILS

An all-purpose, 18 ga., mounting rail to divide or support components within the **1401** and **1458** series cases or the **1441** and **1444** series chassis. Complete with #8 screws and speed clips. Each package contains 1 rail, 2 angles, 4 clips, and 4 screws.

HAMMOND 1448 SERIES INTERNAL CASE MOUNTING RAILS

Cat. No.	Rail Length		Note	Net Price
	Inches	mm		
1448R6	5.6	142	Slotted angles permit 0.3" extra total reach	\$4.48
1448R8	7.6	193		4.95
1448R10	9.6	244	5.43	
1448R12	11.6	295	when end mounted.	5.94
1448R14	13.6	345	6.45	
1448A20	Pkg. of 20 angles, clips and screws only.			36.82



HAMMOND 1441/1444 CHASSIS AND 1431/1434 COVER PLATES STEEL AND ALUMINUM HEAVY DUTY CHASSIS AND COVER PLATES

The spot welded heavy duty **ASA 61 Grey** or black powder paint finished steel chassis are constructed from 18 ga. and 20 ga. material. The **Natural** finished aluminum chassis of .040 and .051 gauge material. The 1431 steel and **Natural** finished 1434 aluminum cover plates are punched with 4 mounting holes (no hardware provided).

Cat. No.	Dimensions Inches (mm)			Gauge	Net Price
	A	B	C		
HAMMOND 1441 SERIES—HEAVY DUTY STEEL CHASSIS—GREY					
1441-6	4(102)	4(102)	2(51)	20	\$11.38
1441-8	6(152)	4(102)	2(51)	20	11.69
1441-9	8(203)	4(102)	1(25)	20	12.18
1441-10	8(203)	4(102)	2(51)	20	12.53
1441-12	7(178)	5(127)	2(51)	20	12.76
1441-14	9(229)	5(127)	2(51)	20	15.40
1441-15	10(254)	6(152)	1(25)	20	13.44
1441-16	10(254)	6(152)	2(51)	20	16.69
1441-18	13.5(343)	5(127)	2(51)	20	17.67
1441-20	17(432)	4(102)	3(76)	20	29.25
1441-22	12(305)	8(203)	2(51)	20	29.13
1441-24	12(305)	8(203)	3(76)	20	29.45
1441-26	16(406)	8(203)	2(51)	20	29.36
1441-28	16(406)	8(203)	3(76)	20	34.95
1441-29	12(305)	10(254)	2(51)	20	29.29
1441-30	17(432)	10(254)	2(51)	20	33.96
1441-32	17(432)	10(254)	3(76)	20	39.76
1441-33	17(432)	10(254)	4(102)	20	57.35
1441-34	17(432)	12(305)	2(51)	18	36.36
1441-36	17(432)	12(305)	3(76)	18	54.55
1441-38	17(432)	14(356)	3(76)	18	58.18
1441-40	17(432)	14(356)	4(102)	18	63.64
1441-42	17(432)	14(356)	5(127)	16	69.09

Continued on next page...

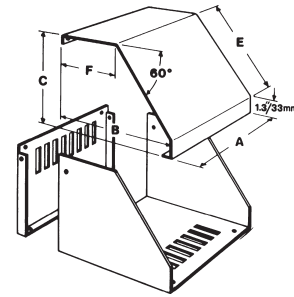
Cat. No.	Dimensions Inches (mm)			Gauge	Net Price
	A	B	C		
HAMMOND 1441 SERIES—HEAVY DUTY STEEL CHASSIS—BLACK					
1441-6BK3	4(102)	4(102)	2(51)	20	\$11.38
1441-8BK3	6(152)	4(102)	2(51)	20	11.69
1441-9BK3	8(203)	4(102)	1(25)	20	12.18
1441-10BK3	8(203)	4(102)	2(51)	20	12.53
1441-12BK3	7(178)	5(127)	2(51)	20	12.76
1441-14BK3	9(229)	5(127)	2(51)	20	15.40
1441-15BK3	10(254)	6(152)	1(25)	20	13.44
1441-16BK3	10(254)	6(152)	2(51)	20	16.69
1441-18BK3	13.5(343)	5(127)	2(51)	20	17.67
1441-20BK3	17(732)	4(102)	3(76)	20	29.25
1441-22BK3	12(305)	8(203)	2(51)	20	29.13
1441-24BK3	12(305)	8(203)	3(76)	20	29.45
1441-26BK3	16(406)	8(203)	2(51)	20	29.36
1441-28BK3	16(406)	8(203)	3(76)	20	34.95
1441-29BK3	12(305)	10(254)	2(51)	20	29.29
1441-30BK3	17(432)	10(254)	2(51)	20	33.96
1441-32BK3	17(432)	10(254)	3(76)	20	39.76
1441-33BK3	17(432)	10(254)	4(102)	20	57.35
1441-34BK3	17(432)	12(305)	2(51)	18	36.36
1441-36BK3	17(432)	12(305)	3(76)	18	54.55
1441-38BK3	17(432)	14(356)	3(76)	18	58.18
1441-40BK3	17(432)	14(356)	4(102)	18	63.64
1441-42BK3	17(432)	14(356)	5(127)	18	69.09

HAMMOND 1444 SERIES—HEAVY DUTY ALUMINUM CHASSIS					
Cat. No.	A	B	C	Gauge	Net Price
1444-6	4(102)	4(102)	2(51)	.040	10.55
1444-8	6(152)	4(102)	2(51)	.040	10.82
1444-9	8(203)	4(102)	1(25)	.040	11.27
1444-10	8(203)	4(102)	2(51)	.040	11.55
1444-12	7(178)	5(127)	2(51)	.040	11.82
1444-14	9(229)	5(127)	2(51)	.040	14.25
1444-15	10(254)	6(152)	1(25)	.040	12.44
1444-16	10(254)	6(152)	2(51)	.040	15.45
1444-18	13.5(343)	5(127)	2(51)	.040	16.36
1444-20	17(432)	4(102)	3(76)	.040	27.09
1444-22	12(305)	8(203)	2(51)	.051	26.96
1444-24	12(305)	8(203)	3(76)	.051	27.27
1444-26	16(406)	8(203)	2(51)	.051	27.18
1444-28	16(406)	8(203)	3(76)	.051	32.36
1444-29	12(305)	10(254)	2(51)	.051	27.13
1444-30	17(432)	10(254)	2(51)	.051	31.45
1444-32	17(432)	10(254)	3(76)	.051	36.82
1444-33	17(432)	10(254)	4(102)	.051	53.09

HAMMOND 1431 SERIES—HEAVY DUTY STEEL COVER PLATES—GREY					
Cat. No.	A	B	C	Gauge	Net Price
1431-6	4(102)	4(102)	—	20	5.49
1431-8	6(152)	4(102)	—	20	5.89
1431-10	8(203)	4(102)	—	20	5.60
1431-12	7(178)	5(127)	—	20	5.78
1431-14	9(229)	5(127)	—	20	5.89
1431-16	10(254)	6(152)	—	20	8.84
1431-18	13.5(343)	5(127)	—	20	9.42
1431-20	17(432)	4(102)	—	20	9.53
1431-22	12(305)	8(203)	—	20	12.53
1431-26	16(406)	8(203)	—	20	12.53
1431-29	12(305)	10(254)	—	20	12.53
1431-30	17(432)	10(254)	—	20	13.22
1431-34	17(432)	12(305)	—	18	14.55
1431-38	17(432)	14(356)	—	18	15.00

HAMMOND 1431 SERIES—HEAVY DUTY STEEL COVER PLATES—BLACK					
Cat. No.	A	B	C	Gauge	Net Price
1431-6BK3	4(102)	4(102)	—	20	5.49
1431-8BK3	6(152)	4(102)	—	20	5.89
1431-10BK3	8(203)	4(102)	—	20	5.60
1431-12BK3	7(178)	5(127)	—	20	5.78
1431-14BK3	9(229)	5(127)	—	20	5.89
1431-16BK3	10(254)	6(152)	—	20	8.84
1431-18BK3	13.5(343)	5(127)	—	20	9.42
1431-20BK3	17(732)	4(102)	—	20	9.53
1431-22BK3	12(305)	8(203)	—	20	12.53
1431-26BK3	16(406)	8(203)	—	20	12.53
1431-29BK3	12(305)	10(254)	—	20	12.53
1431-30BK3	17(432)	10(254)	—	20	13.22
1431-34BK3	17(432)	12(305)	—	18	14.55
1431-38BK3	17(432)	14(356)	—	18	15.00

HAMMOND 1434 SERIES—HEAVY DUTY ALUMINUM COVER PLATES					
Cat. No.	A	B	C	Gauge	Net Price
1434-6	4(102)	4(102)	—	.040	5.09
1434-8	6(152)	4(102)	—	.040	5.45
1434-10	8(203)	4(102)	—	.040	5.18
1434-12	7(178)	5(127)	—	.040	5.35
1434-14	9(229)	5(127)	—	.040	5.45
1434-16	10(254)	6(152)	—	.040	8.18
1434-18	13.5(343)	5(127)	—	.040	8.73
1434-20	17(432)	4(102)	—	.040	8.82
1434-22	12(305)	8(203)	—	.051	11.55
1434-26	16(406)	8(203)	—	.051	11.55
1434-29	12(305)	10(254)	—	.051	11.55
1434-30	17(432)	10(254)	—	.051	12.24

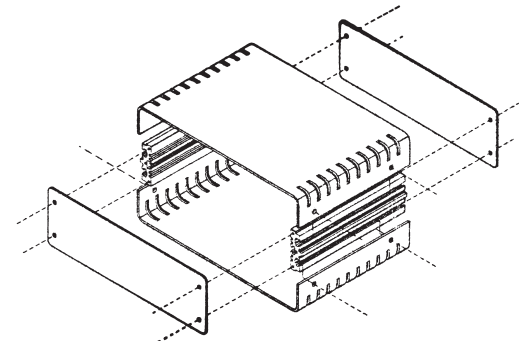


HAMMOND DESKTOP CONSOLES SCEM SERIES SLOPED FRONT, METAL INSTRUMENT CASES

An instrument case finished in **Textured Blue** with **Off-White** panel. Convection ventilation is provided by slots in the bottom and removable rear panels. Complete with hardware and rubber feet.

HAMMOND SCEM SERIES SLOPED FRONT, METAL INSTRUMENT CASES

Cat. No.	Dimensions—mm (Inches)					Net Price
	A	B	C	E	F	
140110WH	102(4.0)	114(4.5)	102(4.0)	76(3.0)	74(2.9)	\$46.81
161110WH	165(6.5)	114(4.5)	102(4.0)	76(3.0)	74(2.9)	57.28
161414WH	165(6.5)	140(5.5)	140(5.5)	119(4.7)	79(3.1)	70.23
251414WH	254(10.0)	140(5.5)	140(5.5)	119(4.7)	79(3.1)	75.01
251619WH	254(10.0)	165(6.5)	191(7.5)	179(7.0)	74(2.9)	79.68
351619WH	356(14.0)	165(6.5)	191(7.5)	179(7.0)	74(2.9)	87.85



LOW PROFILE INSTRUMENT CASE VENTILATED & UNVENTILATED MODELS 1402 SERIES

- Tough built, top & bottom halves constructed from 12 gauge aluminum, finished in an off white powder paint.
- Side aluminum extrusions double as horizontal P.C. board or panel, mounting slots.
- Front & rear panels natural aluminum finish with paper coating on one side.
- Two models available with vented or solid top & bottom halves.
- All hardware and self adhesive rubber feet are included.

Cat. No.	Overall Dimensions mm (in)			Fits Eurocard Sized	Net Price
	A	B	C		
SOLID TOP & BASE					
1402B	60.45(2.38)	181(7.13)	124(4.88)	160 x 100	\$46.09
1402D	60.45(2.38)	181(7.13)	184(7.25)	160 x 160	50.40
1402F	79.50(3.13)	181(7.13)	260(10.25)	160 x 234	60.91
1402H	98.55(3.88)	255(10.03)	184(7.25)	234 x 160	59.02
1402K	98.55(3.88)	255(10.03)	245(9.63)	234 x 220	69.44
VENTED TOP & BASE					
1402BV	60.45(2.38)	181(7.13)	124(4.88)	160 x 100	47.67
1402DV	60.45(2.38)	181(7.13)	184(7.25)	160 x 160	52.04
1402FV	79.50(3.13)	181(7.13)	260(10.25)	160 x 234	62.55
1402HV	98.55(3.88)	255(10.03)	184(7.25)	234 x 160	61.25
1402KV	98.55(3.88)	255(10.03)	245(9.63)	234 x 220	71.67

Hoffman®



CONTINUOUS HINGE "CH" BOXES APPLICATION

Designed for use as electrical junction boxes, terminal wiring boxes, instrument housings, and electrical control enclosures. Provide protection from dust, dirt, oil, and water. **CONSTRUCTION:** 16 gauge or 14 gauge steel. Seams continuously welded and ground smooth, no holes or knockouts. Continuous hinge. External screw clamps are quick and easy to operate. Oil-resistant gasket and adhesive. Weldnuts provided for mounting optional panels and terminal kits in size 6.00 x 4.00 (152 x 102) and larger.

STANDARD SIZES

Cat. No.	Gauge	Box Size A x B x C	Panel Cat. No.	Panel Size D x E	Net Price
A-404CH	16	4.00 x 4.00 x 3.00 (102 x 102 x 76)	No Panel	No Panel	\$66.57
A-604CH	16	6.00 x 4.00 x 3.00 (152 x 102 x 76)	A-6P4	4.88 x 2.88 (124 x 73)	76.32
A-806CH	14	8.00 x 6.00 x 3.50 (203 x 152 x 89)	A-8P6	6.75 x 4.88 (171 x 124)	91.83
A-4044CH	16	4.00 x 4.00 x 4.00 (102 x 102 x 102)	No Panel	No Panel	69.49
A-6044CH	16	6.00 x 4.00 x 4.00 (152 x 102 x 102)	A-6P4	4.88 x 2.88 (124 x 73)	80.62
A-606CH	16	6.00 x 6.00 x 4.00 (152 x 152 x 102)	A-6P6	4.88 x 4.88 (124 x 124)	86.47
A-808CH	14	8.00 x 8.00 x 4.00 (203 x 203 x 102)	A-8P8	6.75 x 6.88 (175 x 175)	104.30
A-1008CH	14	10.00 x 8.00 x 4.00 (254 x 203 x 102)	A-10P8	8.75 x 6.88 (222 x 175)	114.10
A-1008CHS	14	10.00 x 8.00 x 4.00 (254 x 203 x 102)	A-10P8	8.75 x 6.88 (222 x 175)	113.00
A-12064CH	14	12.00 x 6.00 x 4.00 (305 x 152 x 102)	A-12P6	10.75 x 4.88 (273 x 124)	113.90
A-1210CH	14	12.00 x 10.00 x 5.00 (305 x 254 x 127)	A-12P10	10.75 x 8.88 (273 x 226)	145.80
A-1210CHS	14	12.00 x 10.00 x 5.00 (305 x 254 x 127)	A-12P10	10.75 x 8.88 (273 x 226)	144.50
A-8066CH	14	8.00 x 6.00 x 6.00 (203 x 152 x 152)	A-8P6	6.75 x 4.88 (171 x 124)	109.10
A-10086CH	14	10.00 x 8.00 x 6.00 (254 x 203 x 152)	A-10P8	8.75 x 6.88 (222 x 175)	128.70
A-10106CH	14	10.00 x 10.00 x 6.00 (254 x 254 x 152)	A-10P10	8.75 x 8.88 (222 x 226)	142.00
A-1212CH	14	12.00 x 12.00 x 6.00 (305 x 305 x 152)	A-12P12	10.75 x 10.88 (273 x 276)	169.50
A-14086CH	14	12.00 x 8.00 x 6.00 (356 x 203 x 152)	A-14P8	12.75 x 6.88 (324 x 175)	156.00
A-1412CH	14	14.00 x 12.00 x 6.00 (356 x 305 x 152)	A-14P2	12.75 x 10.88 (324 x 276)	184.00
A-1412CHS	14	14.00 x 12.00 x 6.00 (356 x 305 x 152)	A-14P12	12.75 x 10.88 (324 x 276)	182.20
A-16106CH	14	16.00 x 10.00 x 6.00 (406 x 254 x 152)	A-16P10	14.75 x 8.88 (375 x 226)	185.90
A-1614CH	14	16.00 x 14.00 x 6.00 (406 x 356 x 152)	A-16P14	14.75 x 12.88 (375 x 327)	216.40
A-1614CHS	14	16.00 x 14.00 x 6.00 (406 x 356 x 152)	A-16P14	14.75 x 12.88 (375 x 327)	214.40
A-12108CH	14	12.00 x 10.00 x 8.00 (305 x 254 x 203)	A-12P10	10.75 x 8.88 (273 x 226)	177.50
A-14128CH	14	14.00 x 12.00 x 8.00 (356 x 305 x 203)	A-14P12	12.75 x 10.88 (324 x 276)	210.80
A-16148CH	14	16.00 x 14.00 x 8.00 (406 x 356 x 203)	A-16P14	14.75 x 12.88 (375 x 327)	240.60
A-161410CH	14	16.00 x 14.00 x 10.00 (406 x 356 x 254)	A-16P14	14.75 x 12.88 (375 x 327)	272.70



CONTINUOUS HINGE QUICK-RELEASE "CHQR" BOXES APPLICATION

Designed for use as electrical junction boxes, terminal wiring boxes, instrument housings, and electrical control enclosures. **CONSTRUCTION:** 16 gauge or 14 gauge steel. Seams continuously welded and ground smooth, no holes or knockouts. Continuous hinge. External quick-release latches secure cover. External mounting feet. Oil-resistant gasket and adhesive. Weldnuts provided for mounting optional panels and terminals kits. Specify side to be hinged when ordering custom boxes. **INDUSTRY STANDARDS:** UL 50 Type 12 and Type 13. NEMA Type 12 and Type 13. JIC Standard EGP-I-1967. IEC 529, IP65.

STANDARD SIZES

Cat. No.	Gauge	Box Size A x B x C	Panel Cat. No.	Panel Size D x E	Net Price
A-604CHQR	16	6.00 x 4.00 x 3.00 (152 x 102 x 76)	A-6P4	4.88 x 2.88 (124 x 73)	\$82.44
A-806CHQR	14	8.00 x 6.00 x 3.50 (203 x 152 x 89)	A-8P6	6.75 x 4.88 (171 x 124)	102.20
A-606CHQR	16	6.00 x 6.00 x 4.00 (152 x 152 x 102)	A-6P6	4.88 x 4.88 (124 x 124)	96.17
A-1008CHQR	14	10.00 x 8.00 x 4.00 (254 x 203 x 102)	A-10P8	8.75 x 6.88 (273 x 226)	123.50
A-1210CHQR	14	12.00 x 10.00 x 5.00 (305 x 254 x 127)	A-12P10	10.75 x 8.88 (273 x 226)	157.50
A-1412CHQR	14	14.00 x 12.00 x 6.00 (356 x 305 x 152)	A-14P12	12.75 x 10.88 (324 x 276)	198.80
A-1614CHQR	14	16.00 x 14.00 x 6.00 (406 x 356 x 152)	A-16P14	14.75 x 12.88 (375 x 327)	233.70



CONTINUOUS HINGE TYPE 4 "CHNF" BOXES APPLICATION

Designed for use in areas which may be regularly hosed down or are otherwise very wet. Suitable for use in dairies, breweries, and similar installations. Also suitable for outdoor use. **INDUSTRY STANDARDS:** UL 50 Type 4, Type 12, and Type 13. NEMA/EEMAC Type 4, Type 12, and Type 13. JIC standard EGP-1-1967. CSA Type 4. IEC 529, IP66.

STANDARD SIZES

Cat. No.	Gauge	Box Size A x B x C	Panel Cat. No.	Panel Size D x E	Net Price
A-404CHNF	16	4.00 x 4.00 x 3.00 (102 x 102 x 76)	No Panel	No Panel	\$95.21
A-604CHNF	16	6.00 x 4.00 x 3.00 (152 x 102 x 76)	A-6P4	4.88 x 2.88 (124 x 73)	107.80
A-806CHNF	14	8.00 x 6.00 x 3.50 (203 x 152 x 89)	A-8P6	6.75 x 4.88 (171 x 124)	133.20
A-606CHNF	16	6.00 x 6.00 x 4.00 (152 x 152 x 102)	A-6P6	4.88 x 4.88 (124 x 124)	122.20
A-1008CHNF	14	10.00 x 8.00 x 4.00 (254 x 203 x 102)	A-10P8	8.75 x 6.88 (222 x 175)	160.70
A-1210CHNF	14	12.00 x 10.00 x 5.00 (305 x 254 x 127)	A-12P10	10.75 x 8.88 (273 x 225)	202.10
A-10086CHNF	14	10.00 x 8.00 x 6.00 (254 x 203 x 152)	A-10P8	8.75 x 6.88 (222 x 175)	186.60
A-1212CHNF	14	12.00 x 12.00 x 6.00 (305 x 305 x 152)	A-10P8	8.75 x 6.88 (222 x 175)	216.00
A-1412CHNF	14	14.00 x 12.00 x 6.00 (356 x 305 x 152)	A-14P12	12.75 x 10.88 (324 x 276)	258.50
A-1614CHNF	14	16.00 x 14.00 x 6.00 (406 x 356 x 152)	A-16P14	14.75 x 12.88 (375 x 327)	304.30



CONCEPT™ WALL-MOUNT ENCLOSURES APPLICATION

CONCEPT™ enclosures house and protect your sensitive electrical or electronic components from harsh, dirty environments. For use in installations where dirt, dust, oil, water, or other contaminants are present. Streamlined styling, flush latching, and an attractive durable finish complement any high-tech electronic equipment. **CONSTRUCTION:** Manufactured from 16 or 14 gauge steel. Seams continuously welded and ground smooth. Minimum width body flange provides maximum door opening. Body flange trough excludes liquids and contaminants. Panel mounting studs fit optional CONCEPT panels and other accessories. Mounting holes in back of body for direct mounting feet. Hidden hinges for clean aesthetic appearance. Standard 120 degree door opening or optional hinge kit for 230 degree maximum door opening. Doors are interchangeable and easily removable by pulling captive hinge pins. Hinge mounting brackets for wire management or optional accessories. Seamless foam-in-place one piece gasket provides oil-tight and dust-tight seal against contaminants. Self-grounding latch system with double seal provides maximum protection against leakage. Integral body grounding stud. Furnished hardware kit consists of panel mounting nuts, grounding hardware, and sealing washers for wall mounting holes. Installation instructions for enclosure and accessories are provided. **CONCEPT single-door enclosures:** Door bar on hinge side for wire management and grounding. Additional door bar and centre stiffener on larger doors for extra rigidity. Provisions on door for thermoplastic data pocket. Quarterturn latches (or a 3-point latch system on larger enclosures) furnished with flush slotted insert. Optional handles or inserts are available. **CONCEPT window-enclosures:** Clear polycarbonate window is mounted flush with door surface. Quarterturn latch(es) include flush slotted insert. Optional handles are available. **CONCEPT flush-mount enclosures:** Mounting frame extends completely around enclosure. Quarterturn latch(es) furnished with slotted insert. Optional handles or inserts are available. **CONCEPT two-door enclosures:** Overlapping door design provides full width access. Door bars on each door for wire management and grounding. Provision on right door for thermoplastic data pocket. 3-point latch system on right door furnished with flush slotted insert. Optional handles or inserts are available. **Finish:** ANSI 61 grey polyester powder coating inside and out over phosphatized surfaces. Optional panels are white. **Industry Standards:** CONCEPT single-door and flush-mount models, UL508 Type 4 and Type 12, NEMA/EEMAC Type 4, Type 12, and Type 13, CSA Type 4 and Type 12, VDE IP66, IEC 529, IP66. CONCEPT window-door models, UL508 Type 4, NEMA/EEMAC Type 4, CSA Type 4, NEMA/EEMAC Type 4, CSA Type 4, VDE IP66, IEC 529, IP66. CONCEPT two-door models, UL508 Type 12, NEMA/EEMAC Type 12, CSA Type 12, VDE IP66, IEC 529, IP55.

STANDARD SIZES

Cat. No.	Door Gauge	Body Gauge	Enclosure Size AxBxC	CONCEPT Panel Cat. No.	Net Price
CONCEPT SINGLE-DOOR WALL MOUNT ENCLOSURES					
C-SD12126	16	16	12.00 x 12.00 x 6.00 (305 x 305 x 152)	C-P1212	\$336.10
C-SD16126	16	16	16.00 x 12.00 x 6.00 (406 x 305 x 152)	C-P1612	358.60
C-SD16166	16	16	16.00 x 16.00 x 6.00 (406 x 406 x 152)	C-P1616	386.40
C-SD16206	16	16	16.00 x 20.00 x 6.00 (406 x 508 x 152)	C-P2016	426.00
C-SD20166	16	16	20.00 x 16.00 x 6.00 (508 x 406 x 152)	C-P2016	414.10
C-SD20206	16	16	20.00 x 20.00 x 6.00 (508 x 508 x 152)	C-P2020	446.50
C-SD24166	16	16	24.00 x 16.00 x 6.00 (610 x 406 x 152)	C-P2416	454.50
C-SD24206	16	16	24.00 x 20.00 x 6.00 (610 x 508 x 152)	C-P2420	493.20
C-SD24246	14	16	24.00 x 24.00 x 6.00 (610 x 610 x 152)	C-P2424	532.00

NOTE: Available in light grey. Add suffix: LG to part number.

STANDARD SIZES (CONT'D.)

Cat. No.	Door Gauge	Body Gauge	Enclosure Size AxBxC	CONCEPT Panel Cat. No.	Net Price
CONCEPT SINGLE-DOOR WALL MOUNT ENCLOSURES					
C-SD16128	16	16	16.00 x 12.00 x 8.00 (406 x 305 x 203)	C-P1612	\$376.20
C-SD16168	16	16	16.00 x 16.00 x 8.00 (406 x 406 x 203)	C-P1616	406.50
C-SD16208	16	16	16.00 x 20.00 x 8.00 (406 x 508 x 203)	C-P2016	449.20
C-SD20168	16	16	20.00 x 16.00 x 8.00 (508 x 406 x 203)	C-P2016	436.60
C-SD20208	16	16	20.00 x 20.00 x 8.00 (508 x 508 x 203)	C-P2020	471.90
C-SD20248	16	16	20.00 x 24.00 x 8.00 (508 x 610 x 203)	C-P2420	521.80
C-SD24168	16	16	24.00 x 16.00 x 8.00 (610 x 406 x 203)	C-P2416	466.90
C-SD24208	16	16	24.00 x 20.00 x 8.00 (610 x 508 x 203)	C-P2420	507.00
C-SD24248	14	16	24.00 x 24.00 x 8.00 (610 x 610 x 203)	C-P2424	547.30
C-SD24308	14	16	24.00 x 30.00 x 8.00 (610 x 762 x 203)	C-P3024	607.70
C-SD30208	14	16	30.00 x 20.00 x 8.00 (762 x 508 x 203)	C-P3020	575.90
C-SD30248	14	16	30.00 x 24.00 x 8.00 (762 x 610 x 203)	C-P3024	607.70
C-SD30308	14	14	30.00 x 30.00 x 8.00 (762 x 762 x 203)	C-P3030	679.40
C-SD36248	14	14	36.00 x 24.00 x 8.00 (914 x 610 x 203)	C-P3624	668.00
C-SD36308	14	14	36.00 x 30.00 x 8.00 (914 x 762 x 203)	C-P3630	751.00
C-SD36368	14	14	36.00 x 36.00 x 8.00 (914 x 914 x 203)	C-P3636	834.10
C-SD202012	16	16	20.00 x 20.00 x 12.00 (508 x 508 x 305)	C-P2020	522.40
C-SD242012	16	16	20.00 x 24.00 x 12.00 (508 x 610 x 305)	C-P2420	578.60
C-SD242412	14	16	24.00 x 24.00 x 12.00 (610 x 610 x 305)	C-P2424	607.70
C-SD302412	14	16	24.00 x 30.00 x 12.00 (610 x 762 x 305)	C-P3024	675.70
C-SD303012	14	14	30.00 x 30.00 x 12.00 (762 x 762 x 305)	C-P3030	754.80
C-SD362412	14	14	36.00 x 24.00 x 12.00 (914 x 610 x 305)	C-P3624	765.20
C-SD363012	14	14	36.00 x 30.00 x 12.00 (914 x 762 x 305)	C-P3630	834.10
C-SD363612	14	14	36.00 x 36.00 x 12.00 (914 x 914 x 305)	C-P3636	924.60
C-SD423612	14	14	42.00 x 36.00 x 12.00 (1067 x 914 x 305)	C-P4236	1017.00
C-SD482412	14	14	48.00 x 24.00 x 12.00 (1219 x 610 x 305)	C-P4824	904.70
C-SD483612	14	14	48.00 x 36.00 x 12.00 (1219 x 914 x 305)	C-P4836	1107.00
C-SD603612	14	14	60.00 x 36.00 x 12.00 (1524 x 914 x 305)	C-P6036	1290.00
C-SD242416	14	14	24.00 x 24.00 x 16.00 (610 x 610 x 406)	C-P2424	687.50
C-SD363016	14	14	36.00 x 30.00 x 16.00 (914 x 762 x 406)	C-P3630	943.60
C-SD483616	14	14	48.00 x 36.00 x 16.00 (1219 x 914 x 406)	C-P4836	1216.00
C-SD242420	14	14	24.00 x 24.00 x 20.00 (610 x 610 x 508)	C-P2424	749.40
C-SD302420	14	14	30.00 x 24.00 x 20.00 (762 x 610 x 508)	C-P3024	835.10
C-SD363020	14	14	36.00 x 30.00 x 20.00 (914 x 762 x 508)	C-P3630	1030.00
CONCEPT SINGLE-DOOR WITH WINDOWS					
C-SD12126W	16	16	12.00 x 12.00 x 6.00 (305 x 305 x 152)	C-P1212	483.80
C-SD16126W	16	16	16.00 x 12.00 x 6.00 (406 x 305 x 152)	C-P1612	516.60
C-SD20166W	16	16	20.00 x 16.00 x 6.00 (508 x 406 x 152)	C-P2016	596.30
C-SD20206W	16	16	20.00 x 20.00 x 6.00 (508 x 508 x 152)	C-P2020	643.30
C-SD24206W	16	16	24.00 x 20.00 x 6.00 (610 x 508 x 152)	C-P2420	690.40
C-SD24246W	14	16	24.00 x 24.00 x 6.00 (610 x 610 x 152)	C-P2424	744.60
C-SD16128W	16	16	16.00 x 12.00 x 8.00 (406 x 305 x 203)	C-P1612	541.70
C-SD20168W	16	16	20.00 x 16.00 x 8.00 (508 x 406 x 203)	C-P2016	628.80
C-SD20208W	16	16	20.00 x 20.00 x 8.00 (508 x 508 x 203)	C-P2020	679.60
C-SD24208W	16	16	24.00 x 20.00 x 8.00 (610 x 508 x 203)	C-P2420	730.20
C-SD24248W	14	16	24.00 x 24.00 x 8.00 (610 x 610 x 203)	C-P2424	788.10

CONCEPT SINGLE-DOOR WITH WINDOWS

NOTE: Available in light grey. Add suffix: LG to part number.

Continued on next page...

Hoffman Corrosion-Resistant Enclosures

MANU
190
CODE

STANDARD SIZES (CONT'D.)

Cat. No.	Door Gauge	Body Gauge	Enclosure Size A x B x C	CONCEPT Panel Cat. No.	Net Price
CONCEPT SINGLE-DOOR WITH WINDOWS (CONT'D.)					
C-SD30248W	14	16	30.00 x 24.00 x 8.00 (762 x 610 x 203)	C-P3024	\$875.30
C-SD202012W	16	16	20.00 x 20.00 x 12.00 (508 x 508 x 305)	C-P2020	752.00
C-SD242012W	16	16	24.00 x 20.00 x 12.00 (610 x 508 x 305)	C-P2420	809.90
C-SD242412W	14	16	24.00 x 24.00 x 12.00 (610 x 610 x 305)	C-P2424	875.30
C-SD302412W	14	16	30.00 x 24.00 x 12.00 (762 x 610 x 305)	C-P3024	973.10
C-SD242416W	14	14	24.00 x 24.00 x 16.00 (610 x 610 x 406)	C-P2424	962.20
C-SD242420W	14	14	24.00 x 24.00 x 20.00 (610 x 610 x 508)	C-P2424	1050.00
C-SD302420W	14	14	30.00 x 24.00 x 20.00 (762 x 610 x 508)	C-P3024	1171.00

CONCEPT FLUSH-MOUNT ENCLOSURES

C-FM12126	16	16	12.00 x 12.00 x 6.00 (305 x 305 x 152)	C-P1212	514.40
C-FM16126	16	16	16.00 x 12.00 x 6.00 (406 x 305 x 152)	C-P1612	539.70
C-FM20166	16	16	20.00 x 16.00 x 6.00 (508 x 406 x 152)	C-P2016	622.90
C-FM20206	16	16	20.00 x 20.00 x 6.00 (508 x 508 x 152)	C-P2020	672.10
C-FM24208	16	16	24.00 x 24.00 x 8.00 (610 x 508 x 203)	C-P2420	763.20
C-FM24248	14	16	24.00 x 24.00 x 8.00 (610 x 610 x 203)	C-P2424	823.50
C-FM30248	14	16	30.00 x 24.00 x 8.00 (762 x 610 x 203)	C-P3024	914.50

CONCEPT TWO-DOOR ENCLOSURES

C-TD24428	14	14	24.00 x 42.00 x 8.00 (610 x 1067 x 203)	C-P2442	988.30
C-TD30488	14	14	30.00 x 48.00 x 8.00 (762 x 1219 x 203)	C-P3048	1217.00
C-TD306012	14	14	30.00 x 60.00 x 12.00 (762 x 1524 x 305)	C-P3060	1566.00
C-TD364812	14	14	36.00 x 48.00 x 12.00 (914 x 1219 x 305)	C-P4836	1505.00
C-TD366012	14	14	36.00 x 60.00 x 12.00 (914 x 1524 x 305)	C-P6036	1751.00

NOTE: Available in light grey. Add suffix: LG to part number.



STAINLESS STEEL CONTINUOUS HINGE TYPE 4X "CHNFSS" JUNCTION BOXES

CONSTRUCTION: 16 or 14 gauge Type 304 or Type 316L stainless steel. Seams continuously welded and ground smooth, no holes or knockouts. Seamless foam-in-place gasket assures watertight and dust-tight seal. Stainless steel screws and clamps assure watertight seal. **INDUSTRY STANDARDS:** UL 50 Type 4 and Type 4X, NEMA/EEMAC Type 4, Type 4X, Type 12, and Type 13, JIC standard EGP-I-1967, CSA Type 4 and Type 4X, IEC 529, IP66.

STANDARD SIZES

Cat. No.	Gauge	Box Size A x B x C	Stainless Steel Panel Cat. No.	Steel Panel Cat. No.	Net Price
TYPE 304					
A-6044CHNFSS	16	6.00 x 4.00 x 4.00 (152 x 102 x 102)	A-6P4SS	A-6P4	\$336.30
A-606CHNFSS	16	6.00 x 6.00 x 4.00 (152 x 152 x 102)	A-6P6SS	A-6P6	367.50
A-8064CHNFSS	14	8.00 x 6.00 x 4.00 (203 x 152 x 102)	A-8P6SS	A-8P6	419.90
A-1008CHNFSS	14	10.00 x 8.00 x 4.00 (254 x 203 x 102)	A-10P8SS	A-10P8	505.20
A-12106CHNFSS	14	12.00 x 10.00 x 6.00 (305 x 254 x 152)	A-12P10SS	A-12P10	707.90
A-1212CHNFSS	14	12.00 x 12.00 x 6.00 (305 x 305 x 152)	A-12P12SS	A-12P12	781.00
A-1412CHNFSS	14	14.00 x 12.00 x 6.00 (356 x 305 x 152)	A-14P12SS	A-14P12	878.90
A-1614CHNFSS	14	16.00 x 14.00 x 6.00 (406 x 356 x 152)	A-16P14SS	A-16P14	1018.00

STANDARD SIZES

Cat. No.	Gauge	Box Size A x B x C	Stainless Steel Panel Cat. No.	Steel Panel Cat. No.	Net Price
TYPE 316L					
A-6044CHNFSS6	16	6.00 x 4.00 x 4.00 (152 x 102 x 102)	A-6P4SS	A-6P4	\$416.40
A-606CHNFSS6	16	6.00 x 6.00 x 4.00 (152 x 152 x 102)	A-6P6SS	A-6P6	468.30
A-8064CHNFSS6	14	8.00 x 6.00 x 4.00 (203 x 152 x 102)	A-8P6SS	A-8P6	519.80
A-1008CHNFSS6	14	10.00 x 8.00 x 4.00 (254 x 203 x 102)	A-10P8SS	A-10P8	643.90
A-12106CHNFSS6	14	12.00 x 10.00 x 6.00 (305 x 254 x 152)	A-12P10SS	A-12P10	902.00
A-1212CHNFSS6	14	12.00 x 12.00 x 6.00 (305 x 305 x 152)	A-12P12SS	A-12P12	995.20
A-1412CHNFSS6	14	14.00 x 12.00 x 6.00 (356 x 305 x 152)	A-14P12SS	A-14P12	1090.00
A-1614CHNFSS6	14	16.00 x 14.00 x 6.00 (406 x 356 x 152)	A-16P14SS	A-16P14	1300.00



CONCEPT™ STAINLESS STEEL WALL-MOUNT ENCLOSURES

CONSTRUCTION: Manufactured from 16 or 14 gauge Type 304 stainless steel. Seams continuously welded and ground smooth. Minimum width body flange provides maximum door opening. Body flange trough excludes liquids and contaminants. Panel mounting studs fit optional CONCEPT panels and other accessories. Mounting holes in back of body for direct mounting or for optional external mounting feet. Type 304 stainless steel hidden hinges promote clean aesthetic appearance. Standard 120 degree door opening or optional hinge kit for 230 degree maximum door opening. Doors are interchangeable and easily removable by pulling captive hinge pins. Door bars and centre stiffener on larger doors for extra rigidity. Quarter-turn latches (or a 3-point latch system on larger enclosures) furnished with flush slotted insert. Optional handles or inserts are available. Window door enclosures have a clear polycarbonate window mounted flush with door surface. Hinge mounting brackets for wire management or optional accessories. Seamless foam-in-place one piece gasket provides oil-tight and dust-tight seal against contaminants. Self-grounding latch system with double seal provides maximum protection against leakage. **INDUSTRY STANDARDS:** UL508 Type 4, Type 4X and Type 12, NEMA/EEMAC Type 4, Type 4X, Type 12, and Type 13, CSA Type 4, Type 4X and Type 12, VDE IP66, IEC 529, IP66.

STANDARD SIZES

Cat. No.	Door Gauge	Body Gauge	Enclosure Size A x B x C	CONCEPT Panel Cat. No.	Net Price
C-SD12126SS	16	16	12.00 x 12.00 x 6.00 (305 x 305 x 152)	C-P1212	\$963.20
C-SD16126SS	16	16	16.00 x 12.00 x 6.00 (406 x 305 x 152)	C-P1612	1057.00
C-SD16166SS	16	16	16.00 x 16.00 x 6.00 (406 x 406 x 152)	C-P1616	1173.00
C-SD20166SS	16	16	20.00 x 16.00 x 6.00 (508 x 406 x 152)	C-P2016	1325.00
C-SD20206SS	16	16	20.00 x 20.00 x 6.00 (508 x 508 x 152)	C-P2020	1463.00
C-SD16208SS	16	16	16.00 x 20.00 x 8.00 (406 x 508 x 203)	C-P2016	1421.00
C-SD20168SS	16	16	20.00 x 16.00 x 8.00 (508 x 406 x 203)	C-P2016	1382.00
C-SD20208SS	16	16	20.00 x 20.00 x 8.00 (508 x 508 x 203)	C-P2020	1526.00
C-SD24168SS	16	16	24.00 x 16.00 x 8.00 (610 x 406 x 203)	C-P2416	1507.00
C-SD24208SS	16	16	24.00 x 20.00 x 8.00 (610 x 508 x 203)	C-P2420	1671.00
C-SD24248SS	14	16	24.00 x 24.00 x 8.00 (610 x 610 x 203)	C-P2424	1838.00
C-SD30248SS	14	16	30.00 x 24.00 x 8.00 (762 x 610 x 203)	C-P3024	2085.00
C-SD30308SS	14	14	30.00 x 30.00 x 8.00 (762 x 762 x 203)	C-P3030	2449.00
C-SD36248SS	14	14	36.00 x 24.00 x 8.00 (914 x 610 x 203)	C-P3624	2401.00
C-SD36308SS	14	14	36.00 x 30.00 x 8.00 (914 x 762 x 203)	C-P3630	2753.00

Continued on next page...

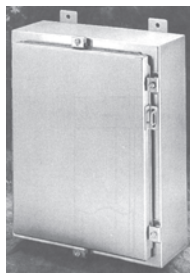
Hoffman Corrosion-Resistant Enclosures

STANDARD SIZES (CONT'D.)

Cat. No.	Door Gauge	Body Gauge	Enclosure Size A x B x C	CONCEPT Panel Cat. No.	Net Price
C-SD363612SS	14	14	36.00 x 36.00 x 12.00 (914 x 914 x 305)	C-P3636	\$3390.00
C-SD423612SS	14	14	42.00 x 36.00 x 12.00 (1067 x 914 x 305)	C-P4236	3763.00
C-SD483612SS	14	14	48.00 x 36.00 x 12.00 (1219 x 914 x 305)	C-P4836	4137.00

WALL-MOUNT ENCLOSURES WITH WINDOWS

Cat. No.	Door Gauge	Body Gauge	Enclosure Size A x B x C	CONCEPT Panel Cat. No.	Net Price
C-SD12126WSS	16	16	12.00 x 12.00 x 6.00 (305 x 305 x 152)	C-P1212	1369.00
C-SD16126WSS	16	16	16.00 x 12.00 x 16.00 (406 x 305 x 152)	C-P1612	1517.00
C-SD20166WSS	16	16	20.00 x 16.00 x 6.00 (508 x 406 x 152)	C-P2016	1839.00
C-SD20206WSS	16	16	20.00 x 20.00 x 6.00 (508 x 508 x 152)	C-P2020	2012.00
C-SD20168WSS	16	16	20.00 x 16.00 x 8.00 (508 x 406 x 203)	C-P2016	1966.00
C-SD20208WSS	16	16	20.00 x 20.00 x 8.00 (508 x 508 x 203)	C-P2020	2162.00
C-SD24208WSS	16	16	24.00 x 20.00 x 8.00 (610 x 508 x 203)	C-P2420	2384.00
C-SD24248WSS	14	16	24.00 x 24.00 x 8.00 (610 x 610 x 203)	C-P2424	2606.00
C-SD30248WSS	14	16	30.00 x 24.00 x 8.00 (762 x 610 x 8.00)	C-P3024	2980.00



STAINLESS STEEL TYPE 4X ENCLOSURES

CONSTRUCTION: Type 304 or Type 316L stainless steel. Type 316L stainless steel has the best corrosion-resistance of the standard stainless steels. 14 gauge bodies and 14 gauge doors on all sizes. Seams continuously welded and ground smooth, no holes or knockouts. Seamless foam-in-place gasket assures watertight and dust-tight seal. Body stiffener in larger enclosures for extra rigidity. Rolled lip around three sides of door and all sides of enclosure opening excludes liquids and contaminants. Stainless steel door clamp assembly assures watertight seal. Hasp and staple for padlocking. Door removed by pulling stainless steel continuous hinge pin. Data pocket is high impact thermoplastic. Collar studs provided for mounting optional panels. All exterior hardware on Type 316L stainless steel enclosures is Type 316L stainless steel. **FINISH:** Enclosures are unpainted. Cover, sides, top, bottom, and back have smooth brushed finish. **INDUSTRY STANDARDS:** UL 508 Type 4 and 4X, NEMA/EEMAC Type 3, Type 4, Type 4X, Type 12, and Type 13, JIC standard EGP-I-1967, CSA Type 4 and Type 4X, IEC 529, IP66.

STANDARD SIZES

Cat. No.	Enclosure Size A x B x C		Steel Panel Cat. No.	Net Price
	inch	millimeter		

TYPE 304

A-16H1206SSLP	16.00 x 12.00 x 6.00	406 x 305 x 152	A-16P12	\$1200.00
A-16H1606SSLP	16.00 x 16.00 x 6.00	406 x 406 x 152	A-16P16	1331.00
A-16H2006SSLP	16.00 x 20.00 x 6.00	406 x 508 x 152	A-20P16	1460.00
A-20H1606SSLP	20.00 x 16.00 x 6.00	508 x 406 x 152	A-20P16	1460.00
A-20H2006SSLP	20.00 x 20.00 x 6.00	508 x 508 x 152	A-20P20	1614.00
A-24H2006SSLP	24.00 x 20.00 x 6.00	610 x 508 x 152	A-24P20	1765.00
A-16H1208SSLP	16.00 x 12.00 x 8.00	406 x 305 x 203	A-16P12	1284.00
A-20H1608SSLP	20.00 x 16.00 x 8.00	508 x 406 x 203	A-20P16	1567.00
A-20H2408SSLP	20.00 x 24.00 x 8.00	508 x 610 x 203	A-24P20	1896.00
A-24H1608SSLP	24.00 x 16.00 x 8.00	610 x 406 x 203	A-24P16	1707.00
A-24H2008SSLP	24.00 x 20.00 x 8.00	610 x 508 x 203	A-24P20	1896.00
A-24H2408SSLP	24.00 x 24.00 x 8.00	610 x 610 x 203	A-24P24	2082.00
A-24H3008SSLP	24.00 x 30.00 x 8.00	610 x 762 x 203	A-30P24	2367.00
A-30H2008SSLP	30.00 x 20.00 x 8.00	762 x 508 x 203	A-30P20	2143.00
A-30H2408SSLP	30.00 x 24.00 x 8.00	762 x 610 x 203	A-30P24	2367.00
A-30H3008SSLP	30.00 x 30.00 x 8.00	762 x 762 x 203	A-30P30	2701.00
A-36H2408SSLP	36.00 x 24.00 x 8.00	914 x 610 x 203	A-36P24	2647.00
A-36H3008SSLP	36.00 x 30.00 x 8.00	914 x 762 x 203	A-36P30	3035.00
A-42H3608SSLP	42.00 x 36.00 x 8.00	1067 x 914 x 203	A-42P36	3813.00
A-48H3608SSLP	48.00 x 36.00 x 8.00	1219 x 914 x 203	A-48P46	4198.00

STANDARD SIZES

Cat. No.	Enclosure Size A x B x C		Steel Panel Cat. No.	Net Price
	inch	millimeter		
A-20H1610SSLP	20.00 x 16.00 x 10.00	508 x 406 x 254	A-20P16	\$1674.00
A-24H2010SSLP	24.00 x 20.00 x 10.00	610 x 508 x 254	A-24P20	2023.00
A-36H2410SSLP	36.00 x 24.00 x 10.00	914 x 610 x 254	A-36P24	2825.00
A-36H3010SSLP	36.00 x 30.00 x 10.00	914 x 762 x 254	A-36P30	3229.00
A-42H3010SSLP	42.00 x 30.00 x 10.00	1067 x 762 x 254	A-42P30	3583.00
A-24H2412SSLP	24.00 x 24.00 x 12.00	610 x 610 x 305	A-24P24	2367.00
A-30H2412SSLP	30.00 x 24.00 x 12.00	762 x 610 x 305	A-30P24	2683.00
A-36H3012SSLP	36.00 x 30.00 x 12.00	914 x 762 x 305	A-36P30	3424.00
A-36H3612SSLP	36.00 x 36.00 x 12.00	914 x 914 x 305	A-36P36	3847.00
A-48H3612SSLP	48.00 x 36.00 x 12.00	1219 x 914 x 305	A-48P36	4694.00
A-60H3612SSLP	60.00 x 36.00 x 12.00	152 x 914 x 305	A-60P36	5540.00
A-30H2416SSLP	30.00 x 24.00 x 16.00	762 x 610 x 406	A-30P24	3002.00
A-36H3016SSLP	36.00 x 30.00 x 16.00	914 x 762 x 406	A-36P30	3813.00
A-48H3616SSLP	48.00 x 36.00 x 16.00	1219 x 914 x 406	A-48P36	5186.00

TYPE 316L

A-16H1206SS6LP	16.00 x 12.00 x 6.00	406 x 305 x 152	A-16P12	1370.00
A-16H1606SS6LP	16.00 x 16.00 x 6.00	406 x 406 x 152	A-16P16	1616.00
A-16H2006SS6LP	16.00 x 20.00 x 6.00	406 x 508 x 152	A-20P16	1773.00
A-20H1606SS6LP	20.00 x 16.00 x 6.00	508 x 406 x 152	A-20P16	1667.00
A-20H2006SS6LP	20.00 x 20.00 x 6.00	508 x 508 x 152	A-20P20	1959.00
A-24H2006SS6LP	24.00 x 20.00 x 6.00	610 x 508 x 152	A-24P20	2145.00
A-24H2406SS6LP	24.00 x 24.00 x 6.00	610 x 610 x 152	A-24P24	2363.00
A-16H1208SS6LP	16.00 x 12.00 x 8.00	406 x 305 x 203	A-16P12	1558.00
A-20H1608SS6LP	20.00 x 16.00 x 8.00	508 x 406 x 203	A-20P16	1785.00
A-20H2008SS6LP	20.00 x 20.00 x 8.00	508 x 508 x 203	A-20P20	2083.00
A-20H2408SS6LP	20.00 x 24.00 x 8.00	508 x 610 x 203	A-24P20	2301.00
A-24H1608SS6LP	24.00 x 16.00 x 8.00	610 x 406 x 203	A-24P16	2071.00
A-24H2008SS6LP	24.00 x 20.00 x 8.00	610 x 508 x 203	A-24P20	2163.00
A-24H2408SS6LP	24.00 x 24.00 x 8.00	610 x 610 x 203	A-24P24	2377.00
A-24H3008SS6LP	24.00 x 30.00 x 8.00	610 x 762 x 203	A-30P24	2869.00
A-30H2008SS6LP	30.00 x 20.00 x 8.00	762 x 508 x 203	A-30P20	2599.00
A-30H2408SS6LP	30.00 x 24.00 x 8.00	762 x 610 x 203	A-30P24	2700.00
A-30H3008SS6LP	30.00 x 30.00 x 8.00	762 x 762 x 203	A-30P30	3278.00
A-36H2408SS6LP	36.00 x 24.00 x 8.00	914 x 610 x 203	A-36P24	3214.00
A-36H3008SS6LP	36.00 x 30.00 x 8.00	914 x 762 x 203	A-36P30	3463.00
A-42H3608SS6LP	42.00 x 36.00 x 8.00	1067 x 914 x 203	A-42P36	4627.00
A-48H3608SS6LP	48.00 x 36.00 x 8.00	1219 x 914 x 203	A-48P46	5095.00
A-20H1610SS6LP	20.00 x 16.00 x 10.00	508 x 406 x 254	A-20P16	2030.00
A-24H2010SS6LP	24.00 x 20.00 x 10.00	610 x 508 x 254	A-24P20	2456.00
A-30H2410SS6LP	30.00 x 24.00 x 10.00	762 x 610 x 254	A-30P24	3047.00
A-36H2410SS6LP	36.00 x 24.00 x 10.00	914 x 610 x 254	A-36P24	3426.00
A-36H3010SS6LP	36.00 x 30.00 x 10.00	914 x 762 x 254	A-36P30	3920.00
A-42H3010SS6LP	42.00 x 30.00 x 10.00	1067 x 762 x 254	A-42P30	4346.00
A-48H3610SS6LP	48.00 x 36.00 x 10.00	1219 x 914 x 254	A-48P36	5471.00
A-24H2412SS6LP	24.00 x 24.00 x 12.00	610 x 610 x 305	A-24P24	2869.00
A-30H2412SS6LP	30.00 x 24.00 x 12.00	762 x 610 x 305	A-30P24	3062.00
A-36H3012SS6LP	36.00 x 30.00 x 12.00	914 x 762 x 305	A-36P30	4033.00
A-36H3612SS6LP	36.00 x 36.00 x 12.00	914 x 914 x 305	A-36P36	4668.00
A-48H3612SS6LP	48.00 x 36.00 x 12.00	1219 x 914 x 305	A-48P36	5697.00
A-60H3612SS6LP	60.00 x 36.00 x 12.00	152 x 914 x 305	A-60P36	6722.00
A-30H2416SS6LP	30.00 x 24.00 x 16.00	762 x 610 x 406	A-30P24	3641.00
A-36H3016SS6LP	36.00 x 30.00 x 16.00	914 x 762 x 406	A-36P30	4627.00
A-48H3616SS6LP	48.00 x 36.00 x 16.00	1219 x 914 x 406	A-48P36	5917.00
A-60H3616SS6LP	60.00 x 36.00 x 16.00	1524 x 914 x 406	A-60P36	7472.00



COMPACT™ ALUMINUM TYPE 4X

CONSTRUCTION: Cast aluminum; no welded seams or sharp corners. Captivated cover screws are stainless steel. Cover screws placed outside sealed area. Two to four grounding screws located on enclosure backwall. Oil-resistant o-ring gasket with tongue and groove construction. Threaded internal bosses provided for mounting optional panels, rails and other components. **INDUSTRY STANDARDS:** UL 508 Type 4, Type 4X, Type 12, and Type 13, NEMA/EEMAC Type 4, Type 4X, Type 12, and Type 13, CSA Type 4, Type 4X, Type 12, and Type 13, IEC 529, IP65.

Continued on next page....