

TYPE "3PA" BASIC SWITCH TERMINAL ENCLOSURES

Type "3PA" die cast aluminum enclosures protect the switch from physical abuse, while providing protection for personnel from exposed terminals. Will accept any of the standard basic switches, "Z", "A", "M" etc. The "3PA1" can be mounted from either side through .140" dia. holes on 1" centres. "3PA2" is flange mounted by means of two 1/16" dia. holes in the bottom flange.

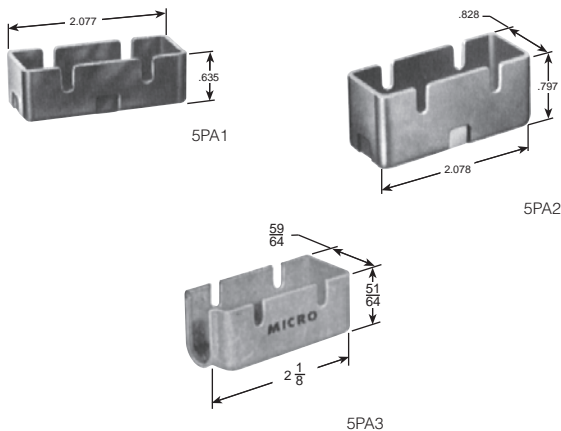
TYPE "3PA" ENCLOSURES

Cat. No.	Variation	Net Price
3PA1	Side mount	\$30.71
3PA2	Bottom mount	47.23

DIE CAST ALUMINUM ENCLOSURES

3PA1	Side mount	\$30.71
3PA2	Bottom mount	47.23

NOTE: ENCLOSURE PRICES DO NOT INCLUDE SWITCHES



TYPE "5PA" PLASTIC TERMINAL ENCLOSURES

"5PA" Series plastic terminal enclosures prevent personnel from coming in contact with exposed switch terminals, and protects the switch terminals against shorting or grounding.

"5PA1" will accept any basic switch, ("Z", "A", "M") with solder terminals.

"5PA2" will accept any basic switch, ("Z", "A", "M") with screw terminals.

"5PA3" will accept any basic switch, ("Z", "A", "M") with either screw or solder terminals, which has been assembled in an auxiliary actuator.

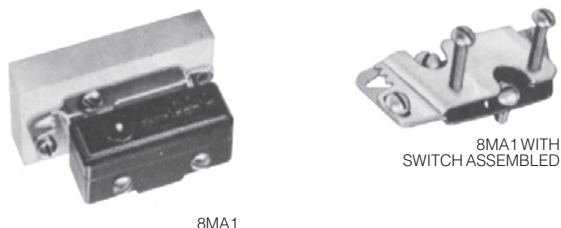
TYPE "5PA" ENCLOSURES

Cat. No.	Will Fit Basic Switch	Net Price
5PA1	With solder terminals	\$1.50
5PA2	With screw terminals	1.34
5PA3	With auxiliary actuators	9.54

PLASTIC TERMINAL ENCLOSURES

5PA1	With solder terminals	\$1.50
5PA2	With screw terminals	1.34
5PA3	With auxiliary actuators	9.54

NOTE: ENCLOSURE PRICES DO NOT INCLUDE SWITCHES



8MA1

BASIC SWITCH MOUNTING BRACKET

Type "8MA" adjustable mounting brackets can regulate the operation point of a basic switch up to .080" (2mm) by loosening the locking screw, inserting a screwdriver in the adjusting slot, and twisting. Sturdy, cadmium-plated steel construction. Can be used with all standard basic switches.

TYPE "8MA" ADJUSTABLE MOUNTING BRACKET

Cat. No.	Has Adjustment Slot	Net Price
8MA1	On the left	\$16.51
8MA2	On the right	17.33

CADMIUM-PLATED STEEL



17MA1-B WITH SWITCH ASSEMBLED

17MA1-B CONVERSION MOUNTING BRACKET

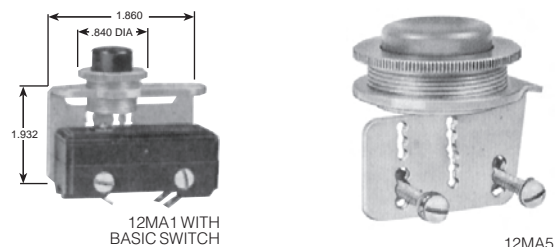
This sturdy corrosion resistant conversion mounting bracket snaps into basic switch mounting holes—without the use of tools. Fits all standard basic switches with mounting holes on 1" centres. Brackets and switches must be ordered separately.

Cat. No.	For use with switch type	Net Price
17MA1-B	"Z", "A", "M", "E", "DT" etc.	\$9.23

CONVERSION MOUNTING BRACKET

17MA1-B	"Z", "A", "M", "E", "DT" etc.	\$9.23
---------	-------------------------------	--------

NOTE: BRACKET PRICES DO NOT INCLUDE SWITCHES



12MA1 WITH BASIC SWITCH

12MA5

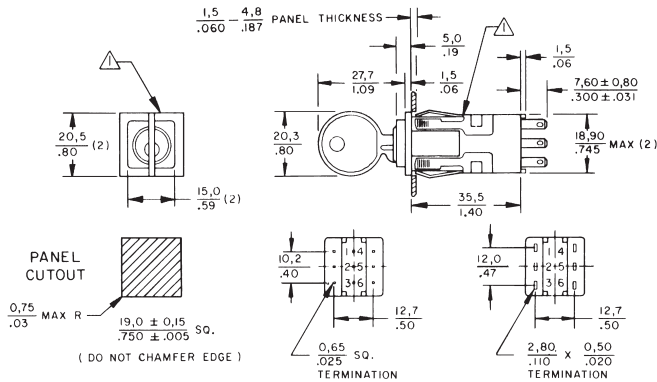
TYPE "12MA" AUXILIARY ACTUATORS

The type "12MA" actuators fit all pin plunger basic switches, "Z", "A", "M" as well as type "TB" two and four-circuit switches. Actuators are available with either 1/2" or 1" diameter buttons, in a choice of colours (black or red). Switch mounting holes and actuator mounting bushings are adjustable to allow the switch to be mounted for best button travel with panel thicknesses from .060" to .312". Actuators and switches must be ordered separately.

TYPE "12MA" ACTUATORS

Cat. No.	Button Dia.	Button Colour	Net Price
1/2" PUSHBUTTON ACTUATORS			
12MA1	1/2"	Black	\$90.46
12MA2	1/2"	Red	90.46
1" PUSHBUTTON ACTUATORS			
12MA5	1"	Black	115.29
12MA6	1"	Red	115.29
12MA7	1"	Green	115.29

NOTE: ACTUATOR PRICES DO NOT INCLUDE SWITCHES

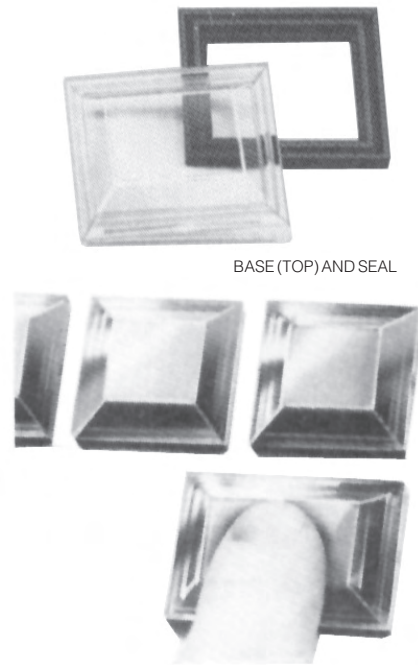


ELECTRONIC CONTROL KEYLOCK SWITCHES AML27

This AML complementary keylock switch enables control of access to computer peripherals, keyboards, point-of-sale terminals, security systems, and other locations where tampering must be discouraged. This switch has a capacity of 3 amps @ 125VAC, 2 amps 24VDC; 1 pole, 2 position with 90° detent, maintained. Is CSA certified and comes complete with two keys.

Cat. No.	Description
AML27ABK2AAZ1BA	Keylock Switch

NOTE: Contact your Electro Sonic sales representative for pricing.



PANEL SEALS AML75

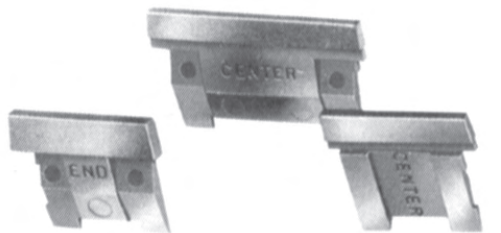
The panel seal consists of a matte black plastic base which press-fits between the panel and switch bezel, and a transparent flexible seal which snaps into the base. Button colour and legends can be viewed without distortion whether lighted or unlighted. Seals can be conveniently replaced or removed for relamping, without removing the switch from panel. The panel seals fit pushbutton switches and indicators and provide protection from contamination, accidental liquid spills, dust, and dirt and are easy to install without tools.

USE WITH SQUARE .19" HIGH BUTTONS

Cat. No.	Description	Net Price
AML75ABC	Base & Seal	\$6.01

USE WITH RECTANGULAR .19" HIGH BUTTONS

AML75BBC	Base & Seal	5.96
----------	-------------	------



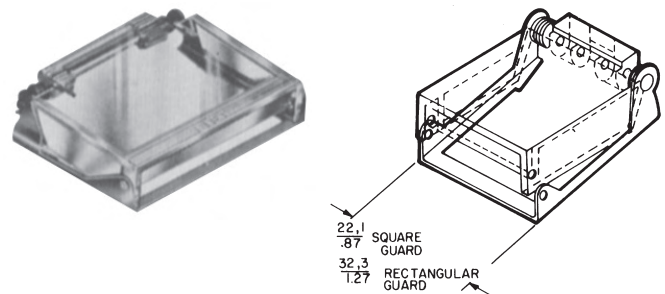
BARRIERS AML71

The AML71 BARRIERS are used to separate switches and indicators. They also help prevent accidental operation of two or more pushbutton switches with a single push (or by an object that is dropped or placed on a panel in which pushbutton switches are mounted).

Barriers are designed for front of panel mounting, with an individual station or several units in slot mount applications. Two different types are available: end barriers and centre barriers.

When mounting an individual unit, an end barrier is attached to each side of the housing. The centre barrier is used in a slot-mount series.

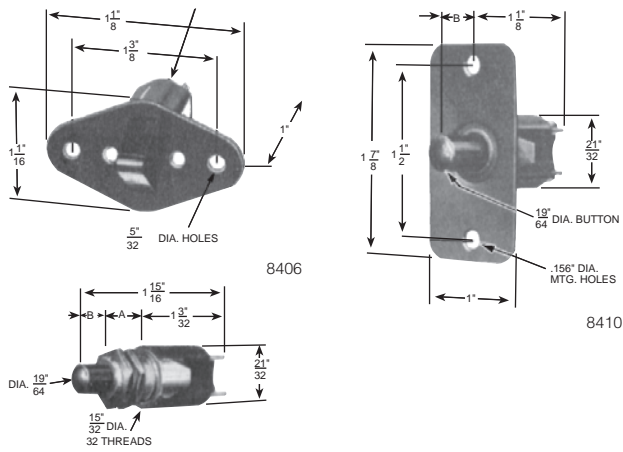
Cat. No.	Length	Type	Net Price
AML71SCB	Short (For use with square devices and short side of rectangular device).	Centre	\$1.58
AML71SEB		End	1.58
AML71LCB	Long (For use with long side of rectangular device).	Centre	1.58
AML71LEB		End	1.58



SWITCH GUARD AML76

The AML76 switch guard protects both square and rectangular .19" standard height pushbuttons from inadvertent actuation. It is for use with standard bezel type switches only. Consists of a clear, polycarbonate thermoplastic through which the button is easily visible. The word "lift" is moulded onto the top front edge of the guard. The bracket is bright-finished stainless steel. The switch guard may be assembled to the AML pushbutton before or after the switch is installed in a panel. The pushbutton cannot be operated when the switch guard cover is closed, preventing accidental operation. A wire lock-down feature further prevents unintentional actuation of the switch. Lamps can be replaced with the switch guard attached, without special tools, saving maintenance time.

Cat. No.	Description	Net Price
AML76C10T01P	Square Switch Guard	\$9.81
AML76F10T01P	Rectangular Switch Guard	9.81

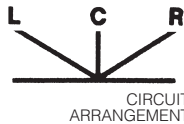
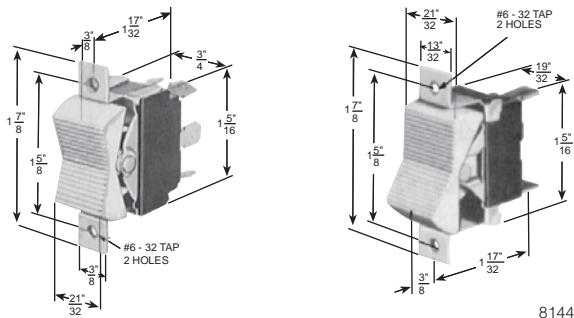


EATON DOOR OPERATED SWITCHES

Used wherever it is desired to control current by the opening and closing of a door on refrigerators, closets, etc. Type 8411K12 is normally open (Off when door is opened). All others are normally closed (On when door is opened). Type 8406K1—rocker arm. All others—Pushbutton action.

Cat. No.	Button Extension	Amps-AC-DC		Term.	Mounting	Net Price
		125V	250V			
8406K1	—	.75	.25	Screw	Flush 2S	\$4.38
8410K1	29/64"	.75	.25	Screw	Flush 2S	3.74
8411K7	13/32"	.75	.25	Screw	15/32" Bush.	3.24
8411K8	13/32"	.75	.25	Lug	15/32" Bush.	2.72
8411K12	3/8"	.75	.25	Screw	15/32" Bush.	2.95

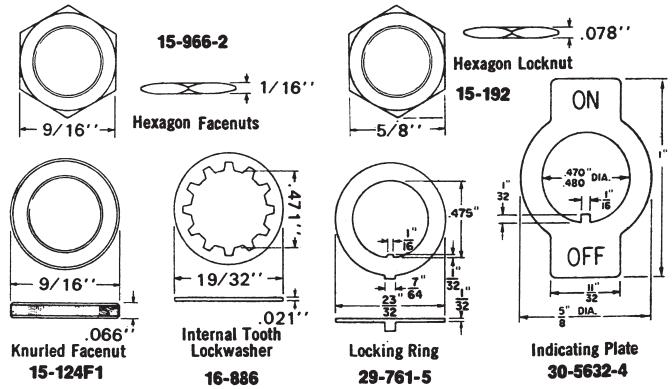
Note: 8411K12 Normally Open Contacts. All others Normally Closed Contacts.



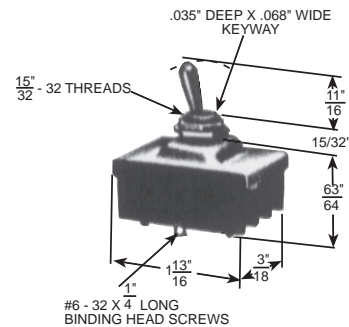
EATON ROCKETTE SWITCHES

Created to meet the growing trend to more highly stylized appliances, instrument panels, office equipment, etc. The heat resistant nylon rockers are white. Switches mount flush, and have .250" spade terminals. The AC switch mechanism has been proven for reliability in millions of applications. Rating: 10 Amp 250V AC, 15 Amp 125V AC, 3/4 HP 250V AC.

Cat. No.	Rocker Position			Poles & Throws	Net Price
	L	C	R		
8144K20A1M52	On	Off	On	SPDT	\$9.88
8144K21A1M52	On	None	Off	SPST	6.82
8142K21E6M52	On	None	Off	DPST	6.08

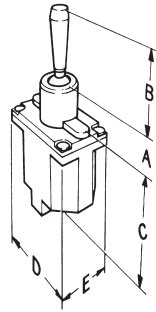


Cat. No.	Description	Net Price
HEXAGON LOCKNUT (15/32-32 THREAD)		
15-192	Zinc Plated Steel	\$.07
HEXAGON FACENUT (15/32-32 THREAD)		
15-966-2	Nickel Plated Brass	.16
KNURLED FACENUT (15/32-32 THREAD)		
15-124F1	Nickel Plated Brass	.09
INTERNAL TOOTH LOCKWASHER		
16-3557	Cadmium Plated Steel	.07
LOCKING RING		
29-761-5	Cadmium Plated Steel	.18
INDICATING PLATES (BOTTOM KEYWAY OFF)		
30-5632-4	Burnished Nickel	.23
PANEL SEAL (FOR 15/32 INCH BUSHING)		
32-341	Stainless steel cup washer with silicone rubber seal.	5.01



Cat. No.	Poles & Throw	Amps-A.C.		H.P.-A.C.		Term.	Net Price
		125V	250V	125V	250V		
7700K1	3PST	15	10	—	3/4	Lug	\$9.84
7700K2	3PST	15	10	—	—	Screw	11.43
7700K3	3PST	15	10	—	3/4	Spade*	9.84
7701K1	3PDT Center Off	15	10	—	3/4	Lug	12.15
7701K3	3PDT Center Off	15	10	—	3/4	Spade*	12.15
7702K1	3PDT 2 Pos. w/o Off	15	10	—	3/4	Lug	12.15
7701K2	3PDT Center Off	15	10	—	3/4	Screw	14.55
7702K2	3PDT	15	10	—	3/4	Screw	14.58
7702K3	3PDT	15	10	—	3/4	Spade*	12.15

*.250" Quick Connect



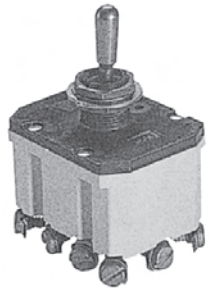
EATON 8510 SERIES ENVIRONMENTALLY SEALED TOGGLE SWITCH

Completely sealed against dust, moisture and other contaminants including a frame to body seal that meets Commercial hose down tests. Features a reliable momentary action with positive detent action. These switches have molded-in terminal inserts with molded-in terminal identification. Switches come completely assembled with #6-32 UNC-2A terminal screws and mounting hardware for 1 1/2 x 0.469 bushing. Use of the panel seal **32-341** is recommended to prevent moisture and contaminants from entering panel enclosures. (Not included, order separately.)

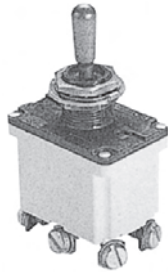
No. of Poles	Dimensions, Inches				
	A	B	C	D	E
1	0.469	0.69	1.180	1.270	0.635

Cat. No.	Lever			Terminal	Net Price
	Up	Center	Down		
SPDT—15 AMP @ 115VAC; 15 AMP @ 28VDC					
8510K2	On*	Off	On*	Screw	\$20.31
32-341	Panel seal				5.01

*Momentary contact.



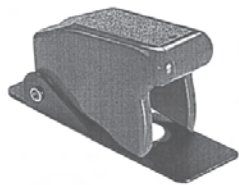
8532



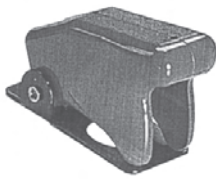
8531



8530



8497K2



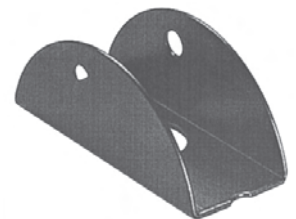
8497K1
8497K3
8497K7



8496K2



8495K1



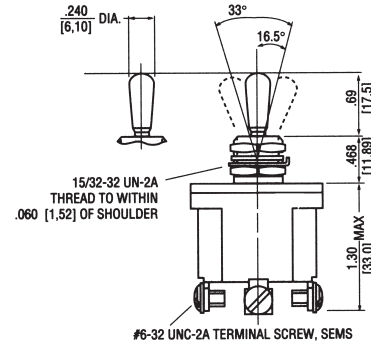
8492K1

EATON INDUSTRIAL GRADE SWITCH GUARDS

FEATURES: For use with 2 or 3 position switches. Metal and molded covers. Flush and one hole mounted (OHM) mounting styles. MS approved and QPL'd per MIL-G-7703. Covers are molded out of thermoset molding materials. Guard covers are spring loaded to either close or lock in open position. One hole mounting and three hole mounting available. Keyway orientation variations offered on some guards.

Cat. No.	Switch Mounting	Switch Positions	Lever Material	Colour	Location of Keyway Tab	Net Price Each		
						1-24	25-49	50-Up
8497K2	Flush	2	Phenolic	Red	—	\$19.52	\$18.01	\$16.73
8495K1	Flush/OHM	2 or 3	Metal**	Black	—	18.27	16.86	15.66
8496K2	OHM	3	Phenolic	Red	Opp. Hinged End	17.83	16.46	15.28
8497K1	OHM	2	Phenolic	Red	Opp. Hinged End	19.35	17.86	16.59
8497K3	OHM	2	Phenolic	Red	Hinged End	19.52	18.01	16.73
8497K7	OHM	2	Phenolic	Red	Opp. Hinged End	24.57	22.68	21.06
8492K1	OHM	2 or 3	Metal**	Black	Opp. Pin Hole	8.56	7.91	7.34

** Guard has no moving lever



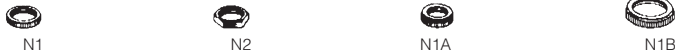
EATON 8500 SERIES ENVIRONMENTALLY SEALED TOGGLE SWITCHES

SPECIFICATIONS: Watertight seal per MIL-std-108E and designed to meet IP68. UL recognized and CSA certified. Terminals: Screw: 6-32 UNC-2A. Life: 50,000 operations at rated load. 100,000 operations mechanical life. Temperature Range: -50°F to +150°F (-46°C to +66°C). Other types of terminations offered: Solder lug and spade terminals.

Cat. No.	Lever Action			Net Price Each		
	Up	Centre	Down	1-24	25-49	50-Up
ONE POLE						
8530K1	On	Off	On	\$17.00	\$15.69	\$14.57
8530K2	On*	Off	On*	17.00	15.69	14.57
8530K10	On	None	Off*	17.00	15.69	14.57
8530K11	Off	None	On*	17.00	15.69	14.57
8530K3	On	Off	On*	17.00	15.69	14.57
8530K12	On*	On	None	20.89	19.28	17.90
8530K13	On	On	None	20.89	19.28	17.90
TWO POLE						
8531K1	On	Off	On	23.90	22.06	20.49
8531K2	On*	Off	On*	23.90	22.06	20.49
8531K10	On	None	Off*	23.90	22.06	20.49
8531K3	On	Off	On*	23.90	22.06	20.49
FOUR POLE						
8532K9	On	None	Off	38.76	35.78	33.22
8532K4	On	None	On	38.76	35.78	33.22
8532K5	On	None	On*	38.76	35.78	33.22
8532K2	On*	Off	On*	38.76	35.78	33.22
8532K11	Off	None	On*	38.76	35.78	33.22

* Momentary Contacts

Augat Alcoswitch Switches



MINIATURE SWITCH HARDWARE

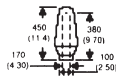
Fits all miniature toggle and pushbutton switches with 1/4"-40 or 15/32"-32 bushings. Bright Nickel finish.

Cat. No.	Description	Thread Size	Dim. (In.)	
			A	B
N-1	Knurled Nut	1/4"-40	.350	.060
N-1A	Knurled Nut	1/4"-40	.315	.080
N-1B	Knurled Nut	15/32"-32	.562	.140
N-2	Hex Nut	1/4"-40	.312	.060

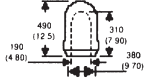
NOTE: Contact your Electro Sonic sales representative for pricing.



C15



C10



C15

COLOUR CODED PLASTIC CAPS

Colour coded caps provide quick identification of toggle switches. Molded of flexible plastic, they are also useful for other non-related applications.

Cat. No.	Colour	Fits Switch Series
C-10-OAG	Black	MST, MTA, MTE
C-10-2AG	Red	
C-10-4	Yellow	MTG
C-10-6	Blue	
C-10-8AG	Grey	
C-10-9	White	
C-15-2	Red	MTG
C-15-6	Blue	

NOTE: Contact your Electro Sonic sales representative for pricing.



B-1048-0



B-1440



B-1532

TOGGLE SWITCH BOOT SEALS

Splashproof toggle seals for protection against dirt and liquids. A hex nut is integrally bonded to the flexible Neoprene boot.

Cat. No.	Colour	Thread Size	Fits Switch Series	Net Price
B-1048-0	Black	10-48	TT	\$3.72
B-1440-0	Black	1/4"-40	TT, MST, MTA	4.62
B-1440-2	Red	1/4"-40	TT, MST, MTA	5.59
B-1532-0	Black	15/32"-32	MTG	6.13
B-1532-2	Red	15/32"-32	MTG	6.53
B-1532-8	Grey	15/32"-32	MTG	6.53

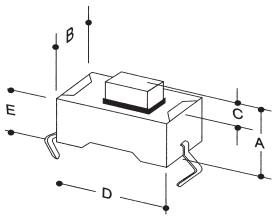


FIG. 1

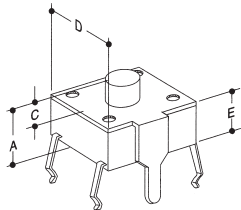


FIG. 2

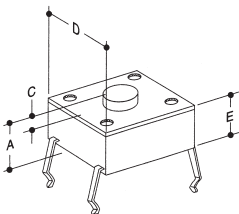


FIG. 3

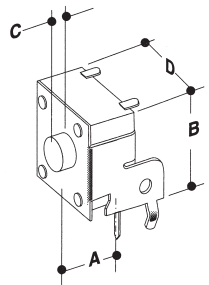


FIG. 4

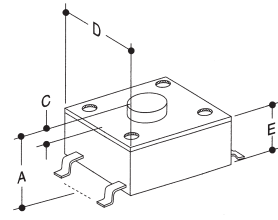


FIG. 5

ALCO FSM SERIES TACTILE PUSHBUTTON SWITCHES

MATERIAL SPECIFICATIONS: Contacts: FSM - Silverplate, FSM1 to 14 - Beryllium copper. Case: Nylon. Terminals: Silverplate. **PERFORMANCE CHARACTERISTICS:** 50mA at 12VDC. Life expectancy: FSM - 20,000 cycles, FSM1 to 14 - 100,000 cycles. Operating temperature: -25°C to +90°C. Actuation force: 150 grams average.

Cat. No.	Dimensions (Inches)				E
	A	B	C	D	
FSM	.172	.138	.060	.236 square	.138
FSM1J	.169	—	.028	.236 square	.142
FSM2J	.169	—	.028	.236 square	.142
FSM3J	.196	—	.055	.236 square	.142
FSM4J	.196	—	.055	.236 square	.142
FSM5J	.276	—	.134	.236 square	.142
FSM6J	.276	—	.135	.236 square	.142
FSM7J	.232	—	.232	.236 square	.142
FSM8J	.232	—	.232	.236 square	.142
FSM14J	.512	—	.378	.236 square	.142
FSMRA1J	.058	.287	.022	.280	—
FSMRA2J	.151	.287	.049	.280	—
FSMRA3J	.230	.287	.128	.280	—
FSMRA4J	.328	.287	.226	.280	—
FSM2JSMA	.169	—	—	.236	.142

FSM SERIES

Cat. No.	Type of Actuator and Terminals	Fig.	Lead Spacing (Inches)	Net Price Per 100
FSM	SPST: Off/(On)	1	.256 x .177	\$42.28
FSM1J	SPST: Off/(On), With Ground Terminal	2	.256 x .177	38.42
FSM2J	SPST: Off/(On)	3	.256 x .177	25.59
FSM3J	SPST: Off/(On)	2	.256 x .177	32.07
FSM4J	SPST: Off/(On)	3	.256 x .177	26.90
FSM5J	SPST: Off/(On), With Ground Terminal	2	.256 x .177	33.30
FSM6J	SPST: Off/(On)	3	.256 x .177	26.90
FSM7J	SPST: Off/(On), With Ground Terminals	2	.256 x .177	34.57
FSM8J	SPST: Off/(On)	3	.256 x .177	33.69
FSM14J	SPST: Off/(On)	3	.256 x .177	32.07
FSMRA1J	SPST: Off/(On), Right Angle	4	—	32.07
FSMRA2J	SPST: Off/(On), Right Angle	4	—	32.07
FSMRA3J	SPST: Off/(On), Right Angle	4	—	41.01
FSMRA4J	SPST: Off/(On), Right Angle	4	—	34.57
FSM2JSMA	SPST: Off/(On), Surface Mount	5	.128 x .363	29.48



TP11CG-PC



TPA11CG-PC



TP11CG-RA

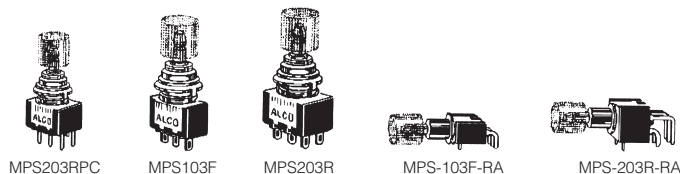
ALCO TP AND TPA SERIES PUSHBUTTON SWITCHES

Choice of round or rectangular buttons. For PC board mount. Gold plated contacts rated 0.4VA max. at 28VDC or peak AC. Contact resistance: 20 milliohms max. Insulation resistance: 1000 megohms at 500VDC. Thermoplastic case.

Cat. No.	Contacts	Action	Button	Net Price Each	
				1-999	1000-Up
.080" x .150" SQUARE BUTTON, .130" PC TERMINALS					
TP11CG-PC-004	SPST-NO	Momentary	Black	\$4.10	\$2.01
TP11CG-PC-204	SPST-NO	Momentary	Red	20.13	9.83
TP11FG-PC-004	SPDT	Momentary	Black	6.35	3.12
.100" ROUND BUTTON, .130" PC TERMINALS					
TPA11CG-PC-004	SPST-NO	Momentary	Black	3.53	3.53
.080" x .150" SQUARE BUTTON, .130" RIGHT ANGLE PC TERMINALS					
TP11CG-RA-004	SPST-NO	Momentary	Black	3.90	1.91
TP11CG-RA-204	SPST-NO	Momentary	Red	21.83	10.65

Augat Alcoswitch Switches

MANU
012
CODE



ALCO MPS SERIES SNAP ACTION PUSHBUTTON SWITCHES

Silver contacts rated 3A at 115VAC or 28VDC. Epoxy sealed terminals. Dielectric strength: 1000VRMS. Life expectancy: 50,000 operations. **Cap not supplied; order type C-22 or C-23 switch caps separately, listed below.**

Cat. No.	Contacts	Action	Net Price Each	
			1-499	500-Up
1/4" -40 THREADED BUSHINGS, SOLDER LUG TERMINALS				
MPS-10304	SPDT	Momentary	\$9.09	\$5.53
MPS-203N04	DPDT	Push-On/Push-Off	16.06	9.77
MPS-203R04	DPDT	Momentary	9.09	5.53
1/4" -40 THREADED BUSHING, .250" PC TERMINALS				
MPS-103D-PC04	SPDT	Push-On/Push-Off	20.13	12.24
MPS-203R-PC04	DPDT	Momentary	8.67	5.28
.245" UNTHREADED BUSHING, RIGHT ANGLE PC TERMINALS				
MPS-103F-RA04	SPDT	Momentary	10.21	6.18
MPS-203R-RA04	DPDT	Momentary	10.21	6.18



MSP103



MSPS103

ALCO MSP-3/MSPS SERIES PUSHBUTTON SWITCHES

Silver plated contacts rated 3A at 125VAC for over-travel type **MSP-3**; 0.5A at 125VAC for butt contact type **MSPS**. Dielectric strength: 1000VRMS. Life expectancy: 10,000 operations. Has 1/4" -40 threaded bushing. Complete with cap. Solder lug terminals.

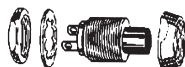
Cat. No.	Contacts	Action	Round Button	Net Price
MSP-3 SERIES, .16" ROUND BUTTON				
MSP-103B04	SPST-NC	Momentary	Black	\$3.95
MSP-103C04	SPST-NO	Momentary	Red	3.83
MSP-103C-004	SPST-NO	Momentary	Black	4.19
MSPS SERIES, .20" ROUND BUTTON				
MSPS-103B04	SPST-NC	Momentary	Black	1.89



MSPF101B



MSPF101BC



ALCO MSPF SERIES PUSHBUTTON SWITCHES

Silver plated contacts rated 0.5A at 125VAC. Dielectric strength: 1000VRMS. Life expectancy: 10,000 operations. Complete with cap. Solder lug terminals.

Cat. No.	Contacts	Action	Round Button	Net Price Each	
				1-499	500-Up
1 5/32" -32 THREADED BUSHING, .24" ROUND BUTTON					
MSPF-101B04	SPST-NC	Momentary	Black	\$6.72	\$4.07
MSPF-101C04	SPST-NO	Momentary	Red	6.02	3.65
MSPF-101BC-004	2 Circuit	Momentary	Black	6.44	3.92
MSPF-101BC-204	2 Circuit	Momentary	Red	4.22	4.22



C22

PUSHBUTTON SWITCH CAPS

Colour coded plastic switch caps that fit all **MPA-6**, **MPE**, **MPS**, **MSP-5**, and **MSPM Series** switches listed above. Colour choice: black, red, green.

Cat. No.				Diameter	Net Price Each	
Black	Red	Green	White		1-499	500-Up
C-22-0AG	C-22-2	C-22-5	C-22-9	0.39"	\$1.03	\$6.61



MSPM101B1

ALCO MSPM SERIES MAGNETIC-REED PUSHBUTTON SWITCHES

Glass-to-metal hermetically-sealed gold contacts rated 1.0VA optimum (100mA max., 50VDC max.). Long life expectancy: 5,000,000 operations at .1VA; 50,000 operations at 5VA. Complete with **C-22** .390" round plastic button cap.

Cat. No.	Contacts	Action	Round Button	Net Price Each	
				1-499	500-Up
1/4" -40 THREADED BUSHING, PIN TERMINALS					
MSPM-101B-004	SPST-NC	Momentary	Black	\$25.48	\$15.47
MSPM-101C-204	SPST-NO	Momentary	Red	29.51	17.92
1/4" -40 THREADED BUSHING, SOLDER LUG TERMINALS					
MSPM-101C-104	SPST-NO	Momentary	Red	26.07	15.83



BP1048



BP1440



BPA1440



BP1532

PUSHBUTTON SWITCH BOOT SEALS

Splashproof boot seals for pushbuttons, replace standard mounting hardware to provide environmental seal. Fabricated of Neoprene in choice of colours, with molded-in hex nut.

Cat. No.	Colour	Button Height	Fits Switch Series	Net Price Each	
				1-499	500-Up
10-48 THREAD SIZE					
BP-1048-0	Black	.14"	TP	\$5.30	\$3.14
BP-1048-2	Red	.14"	TP	5.30	3.14
1/4" -40 THREAD SIZE					
BP-1440-0	Black	.33"	MPS, MPA-3, MSPM, TP	5.59	3.31
BPA-1440-0	Black	.17"	MPA-3, MSP-3, TP	5.43	3.21
BPA-1440-2	Red	.17"	MPA-3, MSP-3, TP	5.24	3.10
BPA-1440-8	Grey	.17"	MPA-3, MSP-3, TP	5.24	3.10
1 5/32" -32 THREAD SIZE					
BP-1532-0	Black	.31"	MPG, MSPF	4.62	2.73
BP-1532-2	Red	.31"	MPG, MSPF	4.62	2.73
BP-1532-8	Grey	.31"	MPG, MSPF	4.62	2.73



G13



G12K



PUSHBUTTON GUARDS

Threaded metal button guards for pushbutton switches with 1/4" -40 bushings and **C-22** or **C-23** button caps.

Cat. No.	Colour	Finish	Use Cap	Net Price Each	
				1-499	500-Up
G-12-B	Black Aluminum	Plain	C-22	\$2.12	\$1.26
G-12-KA	Natural Aluminum	Knurled	C-22	2.91	1.74
G-12-KB	Black Aluminum	Knurled	C-22	2.52	1.51
G-13-B	Black Aluminum	Plain	C-23	2.87	1.70
G-13-KB	Black Aluminum	Knurled	C-23	3.59	2.12

