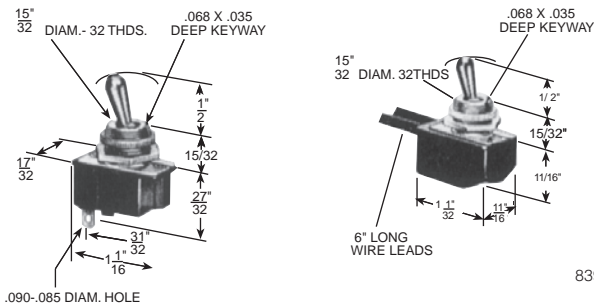


EATON



.090-.085 DIAM. HOLE

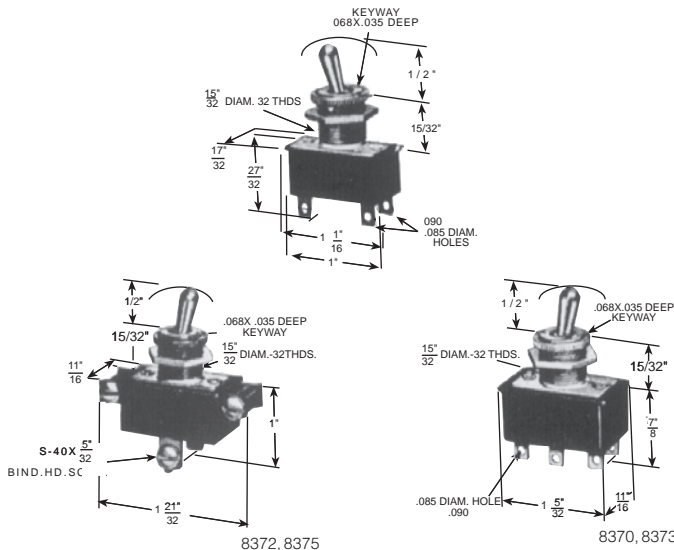
8381, 8396

8391

EATON LIGHT DUTY AC-DC TOGGLE SWITCHES

Exceptionally small in size, yet with unusually high ratings, these switches are designed for one hole mounting of panels, housings, etc. Used by small motor loads, electronic equipment, etc. Black phenolic case. All types, 15/32" shank except 8280K115 which has 11/32" shank. High speed quick make quick break mechanism. Bright nickel plated bat lever.

| Cat. No. | Poles & Throw | Amps-AC-DC | | Term | Net Price |
|----------|---------------|------------|------|-------|-----------|
| | | 125V | 250V | | |
| 8381K108 | SPST | 6 | 3 | Lug | \$4.31 |
| 8396K108 | SPST | 6 | 3 | Screw | 5.65 |
| 8391K108 | SPST | 6 | 3 | Wire | 5.44 |

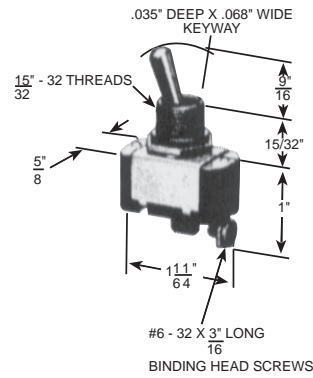


8372, 8375

8370, 8373

| Cat. No. | Poles & Throw | Amps-AC-DC | | Term | Net Price |
|----------|---------------|------------|------|-------|-----------|
| | | 125V | 250V | | |
| 8282K114 | SPDT | 3 | 1 | Lug | \$5.76 |
| 8280K116 | SPST | — | 3 | Lug | 4.51 |
| 8290K116 | SPST | — | 3 | Wire | 5.40 |
| 8295K108 | SPST | — | 3 | Screw | 6.37 |

| Cat. No. | Poles & Throw | Amps-AC-DC | | Term | Net Price |
|----------|---------------|------------|------|-------|-----------|
| | | 125V | 250V | | |
| 8370K107 | DPST | 6 | 3 | Lug | \$7.50 |
| 8371K107 | DPST | 6 | 3 | Wire | 10.50 |
| 8372K107 | DPST | 6 | 3 | Screw | 10.00 |
| 8373K107 | DPDT | 6 | 3 | Lug | 9.41 |
| 8374K107 | DPDT | 6 | 3 | Wire | 12.86 |
| 8375K107 | DPDT | 6 | 3 | Screw | 12.06 |

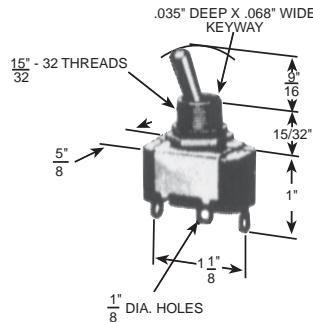


EATON AC TOGGLE SWITCHES SLOW MAKE AND BREAK

Designed for use on AC only, these switches offer higher, smaller size and decided economies over switches designed for AC-DC applications, due to the reduction in arcing on AC and the resulting simpler contact mechanisms. All types are one hole mounting, 15/32" shank.

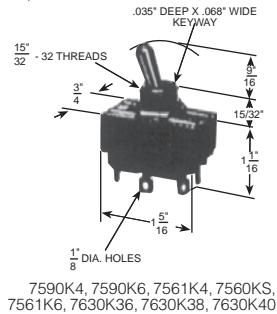
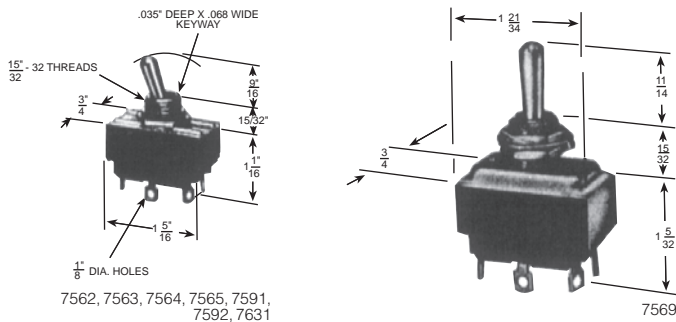
| Cat. No. | Poles & Throw | Amps-A.C. | | H.P.-A.C. | | Term. | Net Price |
|----------|---------------|-----------|------|-----------|------|-----------|-----------|
| | | 125V | 250V | 125V | 250V | | |
| 7580K6 | SPST | 6 | 3 | — | — | Lug | \$2.97 |
| 7580K4 | SPST | 6 | 3 | — | — | Lug Screw | 3.26 |
| 7501K13 | SPST | 15 | 10 | — | 3/4 | Lug | 2.92 |
| 7500K14 | SPST | 15 | 10 | — | 3/4 | Screw | 3.02 |
| 7501K15 | SPST | 15 | 10 | — | 3/4 | Spade* | 2.70 |
| 7546K36 | SPST | 20 | 10 | — | 3/4 | Screw | 5.06 |
| 7546K38 | SPST | 20 | 10 | — | 3/4 | Solder | 4.31 |
| 7546K40 | SPST | 20 | 10 | — | 3/4 | Spade* | 4.65 |

*.250" Quick Connect.



| Cat. No. | Poles & Throw | 125V | Amps-A.C. | 250V | 125V | H.P.-A.C. | Net Price |
|----------|-----------------|------|-----------|------|------|-----------|-----------|
| | | | | | | | |
| 7581K4 | SPDT Center Off | 6 | 3 | — | — | Screw | \$3.92 |
| 7581K6 | SPDT Center Off | 6 | 3 | — | — | Lug | 3.47 |
| 7581K8 | SPDT Center Off | 6 | 3 | — | — | Spade* | 3.22 |
| 7505K4 | SPDT | 15 | 10 | — | 3/4 | Lug | 3.83 |
| 7504K4 | SPDT | 15 | 10 | — | 3/4 | Screw | 4.53 |
| 7503K13 | SPDT Center Off | 15 | 10 | — | 3/4 | Lug | 3.83 |
| 7502K13 | SPDT Center Off | 15 | 10 | — | 3/4 | Screw | 4.53 |
| 7503K15 | SPDT Center Off | 15 | 10 | — | 3/4 | Spade* | 3.83 |
| 7505K6 | SPDT | 15 | 10 | — | 3/4 | Spade* | 3.54 |
| 7547K36 | SPDT Center Off | 20 | 10 | — | 3/4 | Screw | 6.44 |

*.250" Quick Connect.

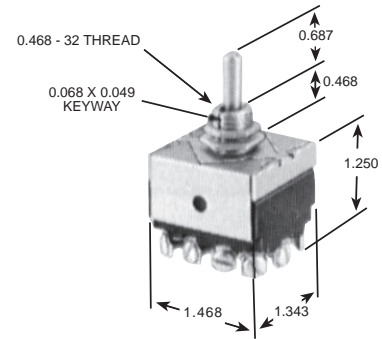


| Cat. No. | Poles & Throw | Amps-A.C. | | H.P.-A.C. | | Term. | Net Price |
|----------------|------------------|-----------|------|-----------|------|--------|---------------|
| | | 125V | 250V | 125V | 250V | | |
| 7592K6 | DPDT | 6 | 3 | — | — | Lug | \$4.78 |
| 7592K4 | DPDT | 6 | 3 | — | — | Screw | 6.28 |
| 7591K4 | DPDT | 6 | 3 | — | — | Screw | 6.73 |
| 7591K6 | Center Off DPDT | 6 | 3 | — | — | Lug | 5.03 |
| 7565K5 | DPDT | 15 | 10 | — | 3/4 | Lug | 5.51 |
| 7564K5 | DPDT | 15 | 10 | — | 3/4 | Screw | 6.73 |
| 7565K7 | DPDT | 15 | 10 | — | 3/4 | Spade* | 5.89 |
| 7631K36 | DPDT | 20 | 10 | — | 3/4 | Screw | 9.11 |
| 7563K4 | Center Off DPDT | 15 | 10 | — | 3/4 | Lug | 5.89 |
| 7563K6 | Center Off DPDT | 15 | 10 | — | 3/4 | Spade* | 5.51 |
| 7562K4 | Center Off DPDT | 15 | 10 | — | 3/4 | Screw | 7.28 |
| 7569K36 | DPDT+ Center Off | 15 | 10 | — | 1/2 | Screw | 12.42 |

*.250" Quick Connect.
†Momentary contact both directions.

| Cat. No. | Poles & Throw | Amps-A.C. | | H.P.-A.C. | | Term. | Net Price |
|----------------|---------------|-----------|------|-----------|------|--------|---------------|
| | | 125V | 250V | 125V | 250V | | |
| 7590K4 | DPST | 6 | 3 | — | — | Screw | \$5.33 |
| 7590K6 | DPST | 6 | 3 | — | — | Lug | 4.60 |
| 7561K4 | DPST | 15 | 10 | — | 3/4 | Lug | 5.03 |
| 7560K5 | DPST | 15 | 10 | — | 3/4 | Screw | 5.89 |
| 7561K6 | DPST | 15 | 10 | — | 3/4 | Spade* | 4.29 |
| 7630K36 | DPST | 20 | 10 | — | 3/4 | Screw | 8.30 |
| 7630K38 | DPST | 20 | 10 | — | 3/4 | Lug | 6.76 |
| 7630K40 | DPST | 20 | 10 | — | 3/4 | Spade* | 6.28 |

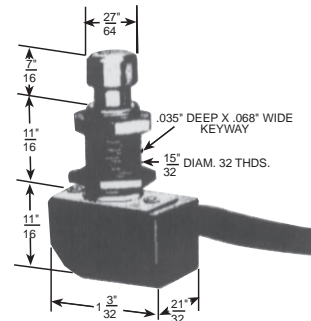
*.250" Quick Connect.



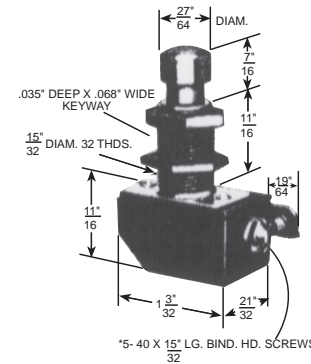
SPECIAL PURPOSE SLOW MAKE SLOW BREAK AC TOGGLE SWITCHES

One hole mounting. Butt action contacts mechanism designed specifically for use on AC and low voltage DC applications. Stainless steel operating lever. Mounting hardware consists of one hexagon locknut, and one bright nickel plate hexagon facenut, terminal screws furnished unassembled. Patented interlock mechanism prevents operation of lever through the centre position until pressure is momentarily relieved. Specifically designed for control and protection of reversing motors. Listed ratings for 125 VAC also apply at 28 VDC.

| Cat. No. | Poles & Throw | Amps-A.C. | | H.P.-A.C. | | Term. | Net Price |
|----------------|---------------|-----------|------|-----------|------|-------|----------------|
| | | 125V | 250V | 125V | 250V | | |
| 7992K10 | 2 P.D.T. | 15 | 10 | — | 3/4 | Screw | \$21.81 |
| 7991K10 | 3 P.D.T. | 15 | 10 | — | 3/4 | Screw | 26.23 |
| 7990K10 | 4 P.D.T. | 15 | 10 | — | 3/4 | Screw | 33.69 |



7207

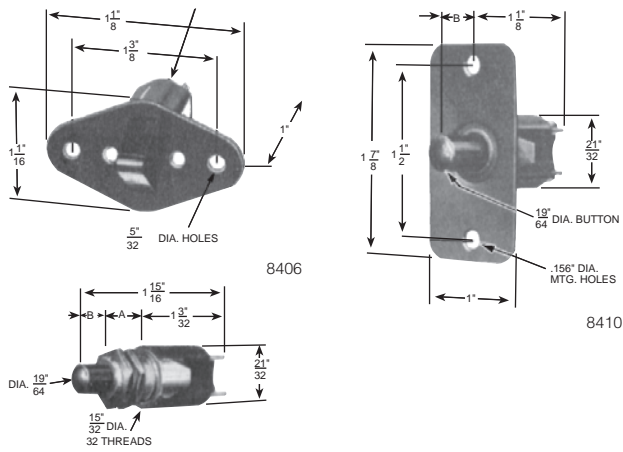


7208

EATON PUSHBUTTON SWITCHES

Pushbutton operated switches offer definite advantages for certain appliances where their use affords greater convenience or improved appearance. All types are single hole mounting. Plungers are bright nickel plated. Model 7208K104 has screw terminals and model 7207K104 has 6" wire leads.

| Cat. No. | Poles & Throw | Operation | Bushing Length | Amps-AC-DC | | Net Price |
|-----------------|---------------|----------------------|----------------|------------|------|----------------|
| | | | | 125V | 250V | |
| 7207K104 | SPST | Push On/ Push Off | 1 1/16" | 6 | 3 | \$12.70 |
| 7208K104 | SPST | Push On/ Push Off | 1 1/16" | 6 | 3 | 11.36 |

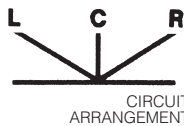
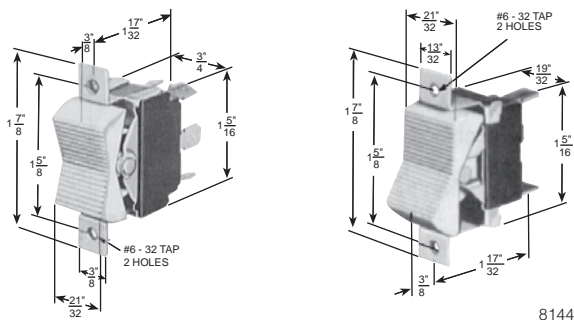


EATON DOOR OPERATED SWITCHES

Used wherever it is desired to control current by the opening and closing of a door on refrigerators, closets, etc. Type 8411K12 is normally open (Off when door is opened). All others are normally closed (On when door is opened). Type 8406K1—rocker arm. All others—Pushbutton action.

| Cat. No. | Button Extension | Amps-AC-DC | | Term. | Mounting | Net Price |
|----------|------------------|------------|------|-------|--------------|-----------|
| | | 125V | 250V | | | |
| 8406K1 | — | .75 | .25 | Screw | Flush 2S | \$4.38 |
| 8410K1 | 29/64" | .75 | .25 | Screw | Flush 2S | 3.74 |
| 8411K7 | 13/32" | .75 | .25 | Screw | 15/32" Bush. | 3.24 |
| 8411K8 | 13/32" | .75 | .25 | Lug | 15/32" Bush. | 2.72 |
| 8411K12 | 3/8" | .75 | .25 | Screw | 15/32" Bush. | 2.95 |

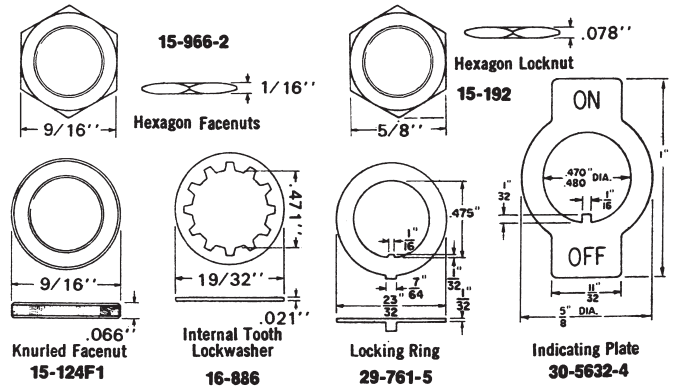
Note: 8411K12 Normally Open Contacts. All others Normally Closed Contacts.



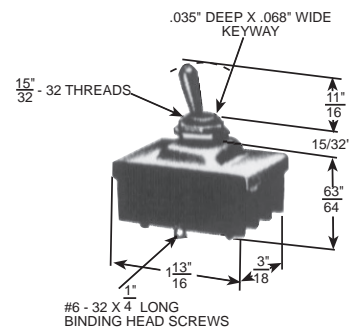
EATON ROCKETTE SWITCHES

Created to meet the growing trend to more highly stylized appliances, instrument panels, office equipment, etc. The heat resistant nylon rockers are white. Switches mount flush, and have .250" spade terminals. The AC switch mechanism has been proven for reliability in millions of applications. Rating: 10 Amp 250V AC, 15 Amp 125V AC, 3/4 HP 250V AC.

| Cat. No. | Rocker Position | | | Poles & Throws | Net Price |
|--------------|-----------------|------|-----|----------------|-----------|
| | L | C | R | | |
| 8144K20A1M52 | On | Off | On | SPDT | \$9.88 |
| 8144K21A1M52 | On | None | Off | SPST | 6.82 |
| 8142K21E6M52 | On | None | Off | DPST | 6.08 |

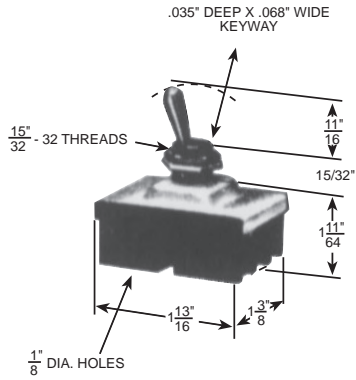


| Cat. No. | Description | Net Price |
|--|---|-----------|
| HEXAGON LOCKNUT (15/32-32 THREAD) | | |
| 15-192 | Zinc Plated Steel | \$.07 |
| HEXAGON FACENUT (15/32-32 THREAD) | | |
| 15-966-2 | Nickel Plated Brass | .16 |
| KNURLED FACENUT (15/32-32 THREAD) | | |
| 15-124F1 | Nickel Plated Brass | .09 |
| INTERNAL TOOTH LOCKWASHER | | |
| 16-3557 | Cadmium Plated Steel | .07 |
| LOCKING RING | | |
| 29-761-5 | Cadmium Plated Steel | .18 |
| INDICATING PLATES (BOTTOM KEYWAY OFF) | | |
| 30-5632-4 | Burnished Nickel | .23 |
| PANEL SEAL (FOR 15/32 INCH BUSHING) | | |
| 32-341 | Stainless steel cup washer with silicone rubber seal. | 5.01 |

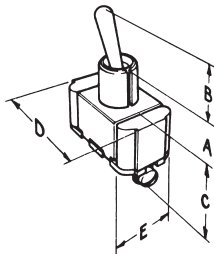


| Cat. No. | Poles & Throw | Amps-A.C. | | H.P.-A.C. | | Term. | Net Price |
|----------|---------------------|-----------|------|-----------|------|--------|-----------|
| | | 125V | 250V | 125V | 250V | | |
| 7700K1 | 3PST | 15 | 10 | — | 3/4 | Lug | \$9.84 |
| 7700K2 | 3PST | 15 | 10 | — | — | Screw | 11.43 |
| 7700K3 | 3PST | 15 | 10 | — | 3/4 | Spade* | 9.84 |
| 7701K1 | 3PDT Center Off | 15 | 10 | — | 3/4 | Lug | 12.15 |
| 7701K3 | 3PDT Center Off | 15 | 10 | — | 3/4 | Spade* | 12.15 |
| 7702K1 | 3PDT 2 Pos. w/o Off | 15 | 10 | — | 3/4 | Lug | 12.15 |
| 7701K2 | 3PDT Center Off | 15 | 10 | — | 3/4 | Screw | 14.55 |
| 7702K2 | 3PDT | 15 | 10 | — | 3/4 | Screw | 14.58 |
| 7702K3 | 3PDT | 15 | 10 | — | 3/4 | Spade* | 12.15 |

*.250" Quick Connect



| Cat. No. | Poles & Throw | Amps-A.C. | | H.P.-A.C. | | Term. | Net Price |
|----------|--------------------|-----------|------|-----------|------|-------|-----------|
| | | 125V | 250V | 125V | 250V | | |
| 7933K36 | 4PST | 20 | 10 | — | 3/4 | Screw | \$17.41 |
| 7934K36 | 4PST Center Off | 20 | 10 | — | 3/4 | Screw | 19.59 |



EATON GENERAL PURPOSE TOGGLE SWITCHES 7300 & 7500 SERIES AC RATED

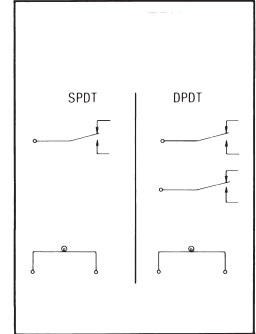
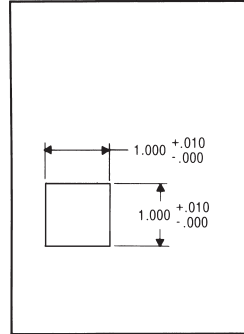
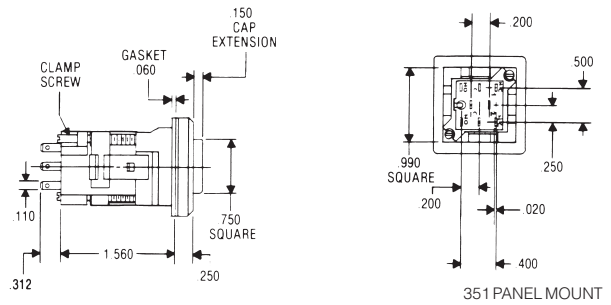
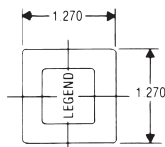
SPECIFICATIONS:

- One hole mount
- Slow make, slow break contacts
- Mounting hardware and terminal screws supplied unassembled
- Keyway—.068" x 0.035" deep—provides antirotational feature
- Butt action contact mechanism designed specifically for use on AC and low voltage DC applications
- Threaded bushing—.468"-.32
- Ratings listed for 125VAC also apply at 28VDC
- Mounting hardware consists of two mounting nuts

| Switch No. | Dimensions, Inches | | | | |
|------------|--------------------|-------|-------|-------|-------|
| | A | B | C | D | E |
| 7315K36 | 0.468 | 0.468 | 0.875 | 1.328 | 0.750 |
| 7506K4 | 0.469 | 0.563 | 1.000 | 1.171 | 0.625 |
| 7509K5 | 0.469 | 0.563 | 1.000 | 1.171 | 0.625 |

| Cat. No. | Lever | | | Terminal | Net Price |
|---|-------|--------|------|----------|-----------|
| | Up | Center | Down | | |
| DPDT—15 AMP @ 125VAC; 6 AMP @ 250VAC | | | | | |
| 7315K36 | On | Off | On* | Screw | \$24.15 |
| SPST—10 AMP @ 250VAC; 1/2HP @ 250VAC | | | | | |
| 7506K4 | Off | None | On* | Screw | 5.89 |
| SPDT—10 AMP @ 250VAC; 1/2HP @ 250VAC | | | | | |
| 7509K5 | On* | Off | On* | Screw | 6.21 |

*Momentary Contact



EATON 351 SERIES 3/4" SQUARE SEALED ILLUMINATED PUSHBUTTON SWITCHES FOR T-1 1/4" WEDGE BASE INCANDESCENT LAMP (LESS LAMP)

FEATURES:

- Industrial-Commercial-Military use
- Meets requirements of MIL-S-22885
- Suitable for Application in Oiltight NEMA 4 and 13 enclosures
- Meets Double Insulating Requirements
- U.L. Recognized and C.S.A. Certified
- Front Panel Relampable
- Removable from Front of Panel
- Illuminated or Non-Illuminated

351 SERIES SPECIFICATIONS:

- Action:** Momentary; Alternate positive latch down. Break before make.
- Switch Circuitry:** Silver contacts, 10 Amps @ 125VAC or 250VAC; Gold contacts, 0.1 Amp @ 125VAC/DC; UL recognized, CSA certified.
- Switch Electrical Ratings:** Panel sealed by gasket; Switch sealed inside; Meets requirements of MIL-S-22885, splashproof; Suitable for application in oiltight NEMA 4 and 13 enclosures; Will operate with pushbutton under 1/2" column of water. .020" x .110" terminations suitable for solder or female 110 connectors.
- Sealing:** 3/4" square.
- Termination Type:** Front panel mounting; Stainless steel retaining clips; .040" to .188" panel thickness; Tighten from front or rear of panel; Military type mounting hardware.
- Pushbutton:** Front relampable; Lamp stationary to reduce mechanical shock to filament.
- Mounting:** .190".
- Lamp:**
- Pushbutton Travel:**

| Cat. No. Terminations Solder Tab | Switch | | Net Price |
|--|--------|---------|-----------|
| | Action | Circuit | |

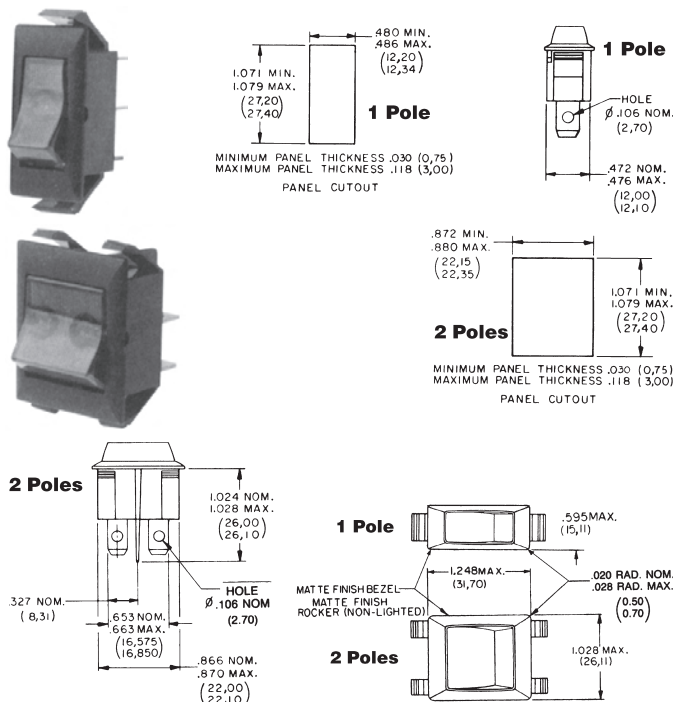
| 351 SERIES SEALED PANEL MOUNT BASE ASSEMBLIES (5AMP SILVER CONTACTS) | | | |
|--|-----------|------|---------|
| 351K11810 | Momentary | SPDT | \$44.32 |
| 351K12810 | Momentary | DPDT | 32.68 |
| 351K21810 | Alternate | SPDT | 65.52 |
| 351K22810 | Alternate | DPDT | 32.94 |

PUSHBUTTON CAPS FOR 351 SERIES

| Cat. No. | Translucent Colour | Net Price |
|---------------------|--------------------|-----------|
| MATTE FINISH | | |
| 250PM00A | Orange | \$1.63 |
| 250PM01A | White | 1.63 |
| 250PM02A | Red | 1.63 |
| 250PM03A | Green | 1.63 |

| Cat. No. | Description |
|--------------------------------|--|
| SWITCH BASE NO ACTUATOR | |
| SARMXX | Above panel, DPST, ON-NONE-ON, non illuminated |
| SDSMLX | Above panel, DPDT, ON-OFF-ON, 14V amber LED top |
| SF4MLL | Above panel, DPDT, MOM ON-OFF-MOM ON, 14V amber LED top and bottom |
| SARSXX | Below panel, DPST, ON-NONE-ON, non-illuminated |
| SDSSKX | Below panel, DPST, ON-NONE-ON, 14V green LED top |
| SF4SKK | Below panel, DPST, MOM ON-OFF-MOM ON, 14V green LED top and bottom |
| ACTUATOR ONLY | |
| CXXXXXXX | Plain black rocker (Above panel) |
| DWXXXXXX | Single snap-in white lens (top) black rocker (Above panel) |
| FWXXWXXX | Dual snap-in white lens black rocker (Above panel) |
| 1XXXXXXX | Plain black rocker (Below panel) |
| 2GXXXXXX | Single snap-in green lens (top) black rocker (Below panel) |
| 4GXGXXX | Dual snap-in green lens black rocker (Below panel) |
| 5XXXXXXX | Plain black paddle actuator |
| ACCESSORIES | |
| 25-13936 | Connector |
| 17-22145 | Panel plug |
| 17-22146 | Gang mount system |
| 17-22152 | Center |
| 32-2245 | Panel seal (Above panel only) |

NOTE: Contact your Electro Sonic sales representative for pricing.



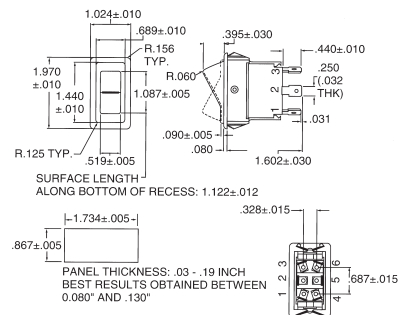
EATON MIDSIZE SNAP-IN NON-LIGHTED AC ONLY ROCKER SWITCHES

Aesthetically pleasing, ruggedly functional, these switches are ideal for upfront applications where both appearance and reliability are required. The smoothly

rounded bezel and gently contoured rocker have a soft matte finish that blends in with the most sophisticated product designs. Ideal applications include appliances, electronic instrumentation, data processing, communications, medical and office equipment and many others in both domestic and foreign markets. These 10A to 22A @ 125VAC switches are available in SPST, DPST and DPDT circuitry. The 1500 Series type base requires a cutout: .480"-.486" Wide x 1.071" -1.079" Long; the 2500 Series type base: .872"-.880" Wide x 1.071" -1.079" Long. Panel thickness .030" min. to .118" max.

EATON MIDSIZE ROCKER SWITCHES

| Cat. No. | Switch Action | | | Switch Circuit | Net Price |
|---|---------------|--------|------|----------------|-----------|
| | Up | Center | Down | | |
| 15 AMP, SILVER INLAY OVER COPPER CONTACTS—BLACK ACTUATOR—BLACK BEZEL | | | | | |
| 1504-11E | On | Off | On | SPDT | \$1.72 |
| 2500-11E | On | None | Off | DPST | 2.09 |
| 2504-11E | On | Off | On | DPDT | 3.81 |
| 16 AMP, SILVER INLAY OVER COPPER CONTACTS—BLACK ACTUATOR—BLACK BEZEL | | | | | |
| 1600-11E | On | None | Off | SPST | 1.34 |



EATON 8004 AND 8005 SERIES FULL SIZE EURO-LOOK ROCKER SWITCHES

Eaton's 8004 and 8005 Euro-Look Series features matte finish European style and snap-in mounting. These durable switches, field-tested in the most demanding truck and marine applications, are available in two-face illuminated or non-illuminated. All switches in this rugged line are sealed against moisture and dust. Also these switches can be gang-mounted into a single panel cutout. Illuminated lamp wiring: Dependent on circuit. Bulb voltage for illuminated switches: 14VDC. Ratings: 15 amps @ 125V ac, 15 amps at 28 V dc. Terminal type: Brass. Base material: Thermoset molding, black. Dielectric: 1,000 volts RMS minimum. Non-illuminated rocker style: Two face. Illuminated rocker style: Two face w/1 lens.

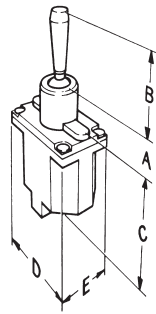
| Cat. No. | Switch Action | Switch Circuit | Rocker Colour | Lens Colour | Net Price |
|--|---------------|----------------|---------------|-------------|-----------|
| NON-ILLUMINATED SWITCH, 0.250" SPADE TERMINAL | | | | | |
| 8004K23N1V2 | On-None-Off | SPST | Black | — | \$6.46 |
| 8004K20N1V2 | On-Off-On | SPDT | Black | — | 7.30 |
| 8004K26N1V2 | On-None-On | SPDT | Black | — | 7.30 |
| 8004K32N1V2* | On-None-On | DPST | Black | — | 8.62 |
| 8004K43N1V2 | On-None-On | DPST | Black | — | 7.50 |
| 8004K40N1V2 | On-Off-On | DPDT | Black | — | 8.37 |
| 8004K46N1V2 | On-None-On | DPDT | Black | — | 8.37 |
| 8004K525N1V2* | On-Off-On | DPST | Black | — | 8.83 |
| NON-ILLUMINATED SWITCH, SOLDER LUGS | | | | | |
| 8004K24N1V2 | On-None-Off | SPST | Black | — | 6.94 |
| 8004K21N1V2 | On-Off-On | SPDT | Black | — | 6.92 |
| 8004K27N1V2 | On-None-On | SPDT | Black | — | 7.80 |
| 8004K44N1V2 | On-None-On | DPST | Black | — | 8.07 |
| 8004K41N1V2 | On-Off-On | DPDT | Black | — | 8.98 |
| 8004K47N1V2 | On-None-On | DPDT | Black | — | 8.98 |
| NON-ILLUMINATED SWITCH, SCREW TERMINALS | | | | | |
| 8004K25N1V2 | On-None-Off | SPST | Black | — | 6.22 |
| 8004K22N1V2 | On-Off-On | SPDT | Black | — | 6.39 |
| 8004K28N1V2 | On-None-On | SPDT | Black | — | 8.16 |
| 8004K45N1V2 | On-None-On | DPDT | Black | — | 8.40 |
| 8004K42N1V2 | On-Off-On | DPDT | Black | — | 8.35 |
| 8004K48N1V2 | On-None-On | DPDT | Black | — | 8.49 |

*Momentary contacts

†Rocker Style: Two Face w/2 Lenses

NOTE: Panel Plugs, Connectors and Gang Mounting Systems are Available

Continued on next page....



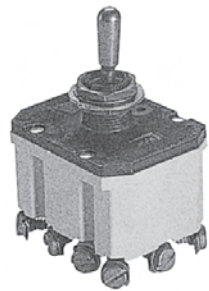
EATON 8510 SERIES ENVIRONMENTALLY SEALED TOGGLE SWITCH

Completely sealed against dust, moisture and other contaminants including a frame to body seal that meets Commercial hose down tests. Features a reliable momentary action with positive detent action. These switches have molded-in terminal inserts with molded-in terminal identification. Switches come completely assembled with #6-32 UNC-2A terminal screws and mounting hardware for 1 1/2 x 0.469 bushing. Use of the panel seal **32-341** is recommended to prevent moisture and contaminants from entering panel enclosures. (Not included, order separately.)

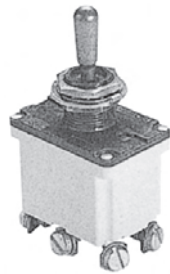
| No. of Poles | Dimensions, Inches | | | | |
|--------------|--------------------|------|-------|-------|-------|
| | A | B | C | D | E |
| 1 | 0.469 | 0.69 | 1.180 | 1.270 | 0.635 |

| Cat. No. | Lever | | | Terminal | Net Price |
|---|------------|--------|------|----------|----------------|
| | Up | Center | Down | | |
| SPDT—15 AMP @ 115VAC; 15 AMP @ 28VDC | | | | | |
| 8510K2 | On* | Off | On* | Screw | \$20.31 |
| 32-341 | Panel seal | | | | 5.01 |

*Momentary contact.



8532



8531



8530



8497K2



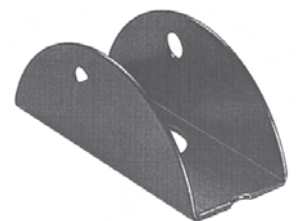
8497K1
8497K3
8497K7



8496K2



8495K1



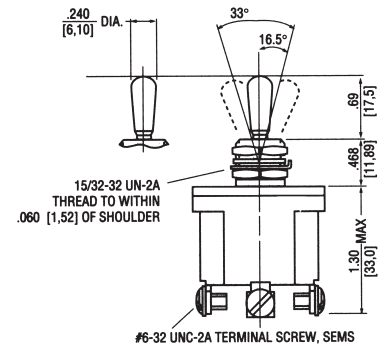
8492K1

EATON INDUSTRIAL GRADE SWITCH GUARDS

FEATURES: For use with 2 or 3 position switches. Metal and molded covers. Flush and one hole mounted (OHM) mounting styles. MS approved and QPL'd per MIL-G-7703. Covers are molded out of thermoset molding materials. Guard covers are spring loaded to either close or lock in open position. One hole mounting and three hole mounting available. Keyway orientation variations offered on some guards.

| Cat. No. | Switch Mounting | Switch Positions | Lever Material | Colour | Location of Keyway Tab | Net Price Each | | |
|---------------|-----------------|------------------|----------------|--------|------------------------|----------------|----------------|----------------|
| | | | | | | 1-24 | 25-49 | 50-Up |
| 8497K2 | Flush | 2 | Phenolic | Red | — | \$19.52 | \$18.01 | \$16.73 |
| 8495K1 | Flush/OHM | 2 or 3 | Metal** | Black | — | 18.27 | 16.86 | 15.66 |
| 8496K2 | OHM | 3 | Phenolic | Red | Opp. Hinged End | 17.83 | 16.46 | 15.28 |
| 8497K1 | OHM | 2 | Phenolic | Red | Opp. Hinged End | 19.35 | 17.86 | 16.59 |
| 8497K3 | OHM | 2 | Phenolic | Red | Hinged End | 19.52 | 18.01 | 16.73 |
| 8497K7 | OHM | 2 | Phenolic | Red | Opp. Hinged End | 24.57 | 22.68 | 21.06 |
| 8492K1 | OHM | 2 or 3 | Metal** | Black | Opp. Pin Hole | 8.56 | 7.91 | 7.34 |

** Guard has no moving lever

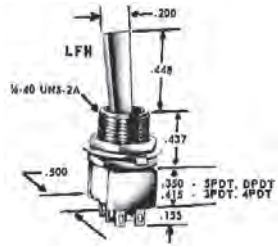


EATON 8500 SERIES ENVIRONMENTALLY SEALED TOGGLE SWITCHES

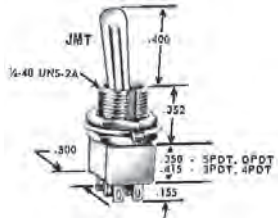
SPECIFICATIONS: Watertight seal per MIL-std-108E and designed to meet IP68. UL recognized and CSA certified. Terminals: Screw: 6-32 UNC-2A. Life: 50,000 operations at rated load. 100,000 operations mechanical life. Temperature Range: -50°F to +150°F (-46°C to +66°C). Other types of terminations offered: Solder lug and spade terminals.

| Cat. No. | Lever Action | | | Net Price Each | | |
|------------------|--------------|--------|------|----------------|----------------|----------------|
| | Up | Centre | Down | 1-24 | 25-49 | 50-Up |
| ONE POLE | | | | | | |
| 8530K1 | On | Off | On | \$17.00 | \$15.69 | \$14.57 |
| 8530K2 | On* | Off | On* | 17.00 | 15.69 | 14.57 |
| 8530K10 | On | None | Off* | 17.00 | 15.69 | 14.57 |
| 8530K11 | Off | None | On* | 17.00 | 15.69 | 14.57 |
| 8530K3 | On | Off | On* | 17.00 | 15.69 | 14.57 |
| 8530K12 | On* | On | None | 20.89 | 19.28 | 17.90 |
| 8530K13 | On | On | None | 20.89 | 19.28 | 17.90 |
| TWO POLE | | | | | | |
| 8531K1 | On | Off | On | 23.90 | 22.06 | 20.49 |
| 8531K2 | On* | Off | On* | 23.90 | 22.06 | 20.49 |
| 8531K10 | On | None | Off* | 23.90 | 22.06 | 20.49 |
| 8531K3 | On | Off | On* | 23.90 | 22.06 | 20.49 |
| FOUR POLE | | | | | | |
| 8532K9 | On | None | Off | 38.76 | 35.78 | 33.22 |
| 8532K4 | On | None | On | 38.76 | 35.78 | 33.22 |
| 8532K5 | On | None | On* | 38.76 | 35.78 | 33.22 |
| 8532K2 | On* | Off | On* | 38.76 | 35.78 | 33.22 |
| 8532K11 | Off | None | On* | 38.76 | 35.78 | 33.22 |

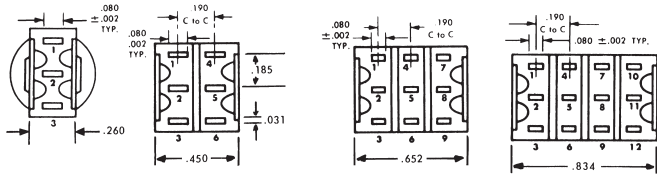
* Momentary Contacts



FLAT LEVER



BAT LEVER



ELECTROSWITCH SUB-MINIATURE TOGGLE SWITCHES

The Sub-miniature switches illustrated on this page combine drastic reduction in size and weight with the trouble-free construction built into standard-size switches. Switching contacts and rockers are coin silver; centre terminal silver plated. Switch bodies are molded of green plastic selected for high strength and arc resistance. Switches with bright chrome-plated bat handles have .352" shank length. Switches with satin chrome flat handles have .437" shank length and may be used on panels up to 1/4" thick.

SPECIFICATIONS:

Rating: 5Amp @ 125VAC and 24VDC resistive load.
Initial contact resistance: 5 milliohms maximum @ 3VDC, 100mA.
Insulation Resistance: 10,000 Megohms minimum.
Dielectric Strength: 1000V RMS at sea level.
Life Under Load: 100,000 make-and-break cycles maximum.

BAT LEVER

| Cat. No. | Lever | | | Net Price Each | | |
|----------|-------|--------|------|----------------|-------|--------|
| | Up | Centre | Down | 1-49 | 50-99 | 100-Up |

SPDT—3 SOLDER LUG TERMINALS

| | | | | | | |
|-----------|------|------|-----|--------|--------|--------|
| A121S1YZQ | On | Off | On | \$6.92 | \$5.54 | \$4.61 |
| A123S1YZQ | On | None | On | 6.23 | 5.07 | 4.15 |
| A126S1YZQ | On | None | On* | 6.92 | 5.54 | 4.61 |
| A127S1YZQ | On* | Off | On* | 5.98 | 5.01 | 4.36 |
| A131S1YZQ | On | Off | On* | 6.92 | 5.54 | 4.61 |
| A134S1YZQ | None | On | On* | 6.92 | 5.54 | 4.61 |

DPDT—6 SOLDER LUG TERMINALS

| | | | | | | |
|-----------|------|------|--------|-------|------|------|
| A221S1YZQ | On | Off | On | 9.92 | 8.07 | 6.69 |
| A223S1YZQ | On | None | On | 8.76 | 7.38 | 6.00 |
| A226S1YZQ | On | None | On* | 9.92 | 8.07 | 6.69 |
| A227S1YZQ | On* | Off | On* | 9.92 | 8.07 | 6.69 |
| A231S1YZQ | On | Off | On* | 10.84 | 9.00 | 7.38 |
| A232S1YZQ | On | On | On(A) | 10.84 | 9.00 | 7.38 |
| A233S1YZQ | On | On | On*(A) | 10.84 | 9.00 | 7.38 |
| A234S1YZQ | None | On | On* | 10.84 | 9.00 | 7.38 |
| A235S1YZQ | On* | On | On*(A) | 10.84 | 9.00 | 7.38 |

3PDT—9 SOLDER LUG TERMINALS

| | | | | | | |
|-----------|-----|------|-----|-------|-------|-------|
| A321S1YZQ | On | Off | On | 16.14 | 13.38 | 11.07 |
| A323S1YZQ | On | None | On | 13.95 | 10.91 | 9.55 |
| A327S1YZQ | On* | Off | On* | 19.60 | 16.14 | 13.38 |

4PDT—12 SOLDER LUG TERMINALS

| | | | | | | |
|-----------|------|------|--------|-------|-------|-------|
| A421S1YZQ | On | Off | On | 21.91 | 17.99 | 14.99 |
| A423S1YZQ | On | None | On | 20.53 | 17.07 | 14.07 |
| A427S1YZQ | On* | Off | On* | 21.91 | 17.99 | 14.99 |
| A431S1YZQ | On | Off | On* | 21.91 | 17.99 | 14.99 |
| A432S1YZQ | On | On | On(B) | 25.37 | 20.76 | 17.30 |
| A433S1YZQ | On | On | On*(B) | 25.37 | 20.76 | 17.30 |
| A434S1YZQ | None | On | On* | 25.37 | 20.76 | 17.30 |
| A435S1YZQ | On* | On | On*(B) | 25.37 | 20.76 | 17.30 |

*Momentary

FLAT LEVER

| Cat. No. | Lever | | | Net Price Each | | |
|----------|-------|--------|------|----------------|-------|--------|
| | Up | Centre | Down | 1-49 | 50-99 | 100-Up |

SPDT—3 SOLDER LUG TERMINALS

| | | | | | | |
|-------------|------|------|-----|--------|--------|--------|
| A121P32Y5ZQ | On | Off | On | \$8.76 | \$7.38 | \$6.00 |
| A123P32Y5ZQ | On | None | On | 8.76 | 7.38 | 6.00 |
| A126P32Y5ZQ | On | None | On* | 9.46 | 7.84 | 6.46 |
| A127P32Y5ZQ | On* | Off | On* | 9.46 | 7.84 | 6.46 |
| A131P32Y5ZQ | On | Off | On* | 9.46 | 7.84 | 6.46 |
| A134P32Y5ZQ | None | On | On* | 7.19 | 6.22 | 5.57 |

DPDT—6 SOLDER LUG TERMINALS

| | | | | | | |
|-------------|-----|------|--------|-------|-------|------|
| A221P32Y5ZQ | On | Off | On | 12.46 | 10.38 | 8.53 |
| A223P32Y5ZQ | On | None | On | 11.53 | 9.46 | 7.84 |
| A227P32Y5ZQ | On* | Off | On* | 9.50 | 8.26 | 7.45 |
| A232P32Y5ZQ | On | On | On(A) | 13.61 | 11.07 | 9.23 |
| A235P32Y5ZQ | On* | On | On*(A) | 11.12 | 9.55 | 8.61 |

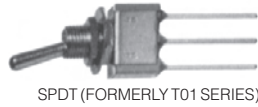
3PDT—9 SOLDER LUG TERMINALS

| | | | | | | |
|-------------|-----|------|-----|-------|-------|-------|
| A321P32Y5ZQ | On | Off | On | 18.91 | 15.68 | 12.92 |
| A323P32Y5ZQ | On | None | On | 17.53 | 14.53 | 11.99 |
| A327P32Y5ZQ | On* | Off | On* | 19.90 | 15.65 | 13.83 |

4PDT—12 SOLDER LUG TERMINALS

| | | | | | | |
|-------------|------|------|--------|-------|-------|-------|
| A421P32Y5ZQ | On | Off | On | 24.68 | 20.30 | 16.84 |
| A423P32Y5ZQ | On | None | On | 23.30 | 19.14 | 15.91 |
| A432P32Y5ZQ | On | On | On(B) | 22.77 | 17.84 | 15.83 |
| A433P32Y5ZQ | On | On | On*(B) | 27.91 | 23.06 | 19.14 |
| A434P32Y5ZQ | None | On | On* | 23.58 | 18.43 | 16.43 |

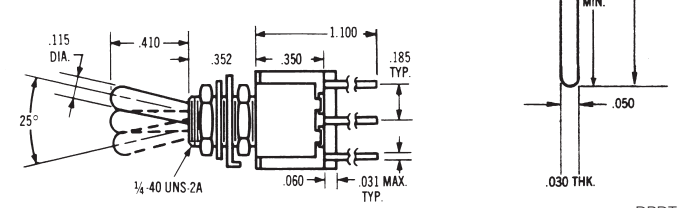
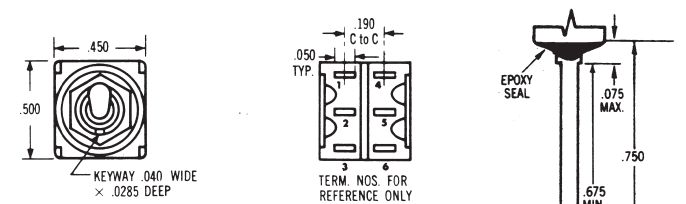
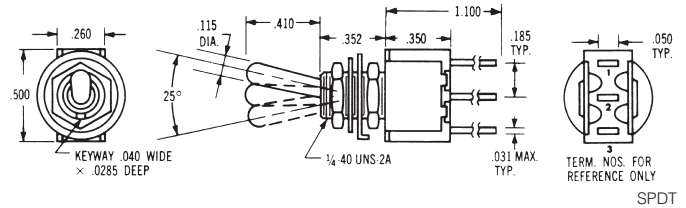
*Momentary



SPDT (FORMERLY TO1 SERIES)



DPDT



| Note | Contact Sequence | | |
|------|------------------------|------------------------|------------------------|
| | Lever Left | Centre | Right (Keyway) |
| (A) | 2-3 5-6 | 2-3 5-4 | 2-1 5-4 |
| (B) | 2-3, 8-9 5-6, 11-12 | 2-3, 8-9 5-4, 11-10 | 2-1, 8-7 5-4, 11-10 |

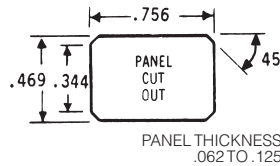
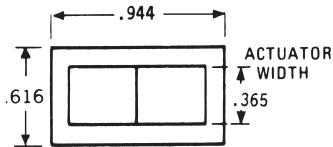
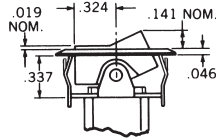
BAT LEVER, WIRE-WRAP TERMINALS

| Cat. No. | Lever | | | VA Max. @ 28V AC-DC | Net Price Each | | |
|----------|-------|--------|------|------------------------|----------------|-------|--------|
| | Up | Centre | Down | | 1-49 | 50-99 | 100-Up |

DPDT—6 WIRE-WRAP TERMINALS

| | | | | | | | |
|-----------|-----|------|-----|-----|---------|--------|--------|
| A221S1YWB | On | Off | On | 0.5 | \$11.76 | \$9.69 | \$8.07 |
| A223S1YWB | On | None | On | 0.5 | 10.84 | 9.00 | 7.38 |
| A226S1YWB | On | None | On* | 0.5 | 11.76 | 9.69 | 8.07 |
| A227S1YWB | On* | Off | On* | 0.5 | 11.76 | 9.69 | 8.07 |
| A231S1YWB | On | Off | On* | 0.5 | 12.92 | 10.61 | 8.76 |

*Momentary



PANEL THICKNESS
.062 TO .125

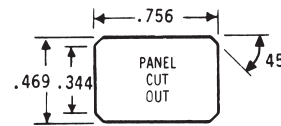
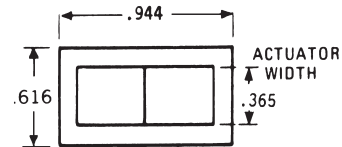
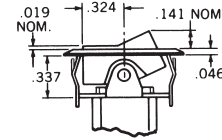
ELECTROSWITCH MINIATURE ROCKER SWITCHES WITH SNAP-IN BEZEL

Economical miniature rocker switches with either SPDT or DPDT contact configurations—6 Amp, 125 VAC contact rating (coin silver contacts), and a snap-in Bezel that accommodates panel thicknesses from .062" to .125". These switches are available with **Red** or **Black** actuators and a matching **Black Bezel**.

EATON MINIATURE ROCKER SWITCHES WITH SNAP-IN BEZEL

| Cat. No. Solder Lug Terminals | Switch Action | | | Switch Circuit | Net Price Each | |
|--|---------------|--------|------|----------------|----------------|--------|
| | Up | Center | Down | | 1-49 | 50-Up |
| 6 AMP, COIN SILVER CONTACTS—BLACK COLOUR ACTUATOR, BLACK COLOUR BEZEL | | | | | | |
| B121J11ZQ22M | On | Off | On | SPDT | \$10.61 | \$8.76 |
| B123J11ZQ22M | On | None | On | SPDT | 9.92 | 8.07 |
| B126J11ZQ22M | On | None | On* | SPDT | 10.61 | 8.76 |
| B131J11ZQ22M | On | Off | On* | SPDT | 10.61 | 8.76 |
| 6 AMP, COIN SILVER CONTACTS—RED COLOUR ACTUATOR, BLACK COLOUR BEZEL | | | | | | |
| B121J11ZQ32M | On | Off | On | SPDT | 7.66 | 7.66 |
| B123J11ZQ32M | On | None | On | SPDT | 6.86 | 6.86 |
| B126J11ZQ32M | On | None | On* | SPDT | 7.66 | 7.66 |
| B127J11ZQ32M | On* | Off | On* | SPDT | 7.66 | 7.66 |
| B131J11ZQ32M | On | Off | On* | SPDT | 7.66 | 7.66 |
| 6 AMP, COIN SILVER CONTACTS—BLACK COLOUR ACTUATOR, BLACK COLOUR BEZEL | | | | | | |
| B221J11ZQ22M | On | Off | On | DPDT | 13.61 | 11.07 |
| B223J11ZQ22M | On | None | On | DPDT | 8.93 | 7.86 |
| B226J11ZQ22M | On | None | On* | DPDT | 16.06 | 16.06 |
| 6 AMP, COIN SILVER CONTACTS—RED COLOUR ACTUATOR, BLACK COLOUR BEZEL | | | | | | |
| B221J11ZQ32M | On | Off | On | DPDT | 10.05 | 10.05 |
| B223J11ZQ32M | On | None | On | DPDT | 8.96 | 8.96 |
| B226J11ZQ32M | On | None | On* | DPDT | 10.28 | 10.28 |

*Momentary Contact.



PANEL THICKNESS
.062 TO .125

ELECTROSWITCH MINIATURE ROCKER SWITCHES WITH SNAP-IN BEZEL

Economical miniature 3PDT or 4PDT rocker switches—6 Amp, 125VAC/28VDC; 3 Amp, 250VAC contact rating (coin silver contacts), with a snap-in Bezel that accommodates panel thicknesses from .062" to .125". These switches are supplied with either **Red** or **Black** actuators and a matching **Black Bezel**.

EATON MINIATURE ROCKER SWITCHES WITH SNAP-IN BEZEL

| Cat. No. Solder Lug Terminals | Switch Action | | | Switch Circuit | Net Price Each | |
|---|---------------|--------|------|----------------|----------------|---------|
| | Up | Center | Down | | 1-49 | 50-Up |
| 6 AMP, COIN SILVER CONTACTS—BLACK COLOUR ACTUATOR—BLACK COLOUR BEZEL | | | | | | |
| B321J11ZQ22M | On | Off | On | 3PDT | \$16.78 | \$13.39 |
| B323J11ZQ22M | On | None | On | 3PDT | 18.68 | 15.22 |
| B326J11ZQ22M | On | None | On* | 3PDT | 21.18 | 16.71 |
| B327J11ZQ22M | On* | Off | On* | 3PDT | 23.30 | 19.14 |
| B331J11ZQ22M | On | Off | On* | 3PDT | 23.30 | 19.14 |
| 6 AMP, COIN SILVER CONTACTS—RED COLOUR ACTUATOR—BLACK COLOUR BEZEL | | | | | | |
| B321J11ZQ32M | On | Off | On | 3PDT | 16.78 | 16.78 |
| B323J11ZQ32M | On | None | On | 3PDT | 15.84 | 15.84 |
| B326J11ZQ32M | On | None | On* | 3PDT | 20.64 | 20.64 |
| B327J11ZQ32M | On* | Off | On* | 3PDT | 20.64 | 20.64 |
| B331J11ZQ32M | On | Off | On* | 3PDT | 20.64 | 20.64 |
| 6 AMP, COIN SILVER CONTACTS—BLACK COLOUR ACTUATOR—BLACK COLOUR BEZEL | | | | | | |
| B421J11ZQ22M | On | Off | On | 4PDT | 25.60 | 21.22 |
| B423J11ZQ22M | On | None | On | 4PDT | 24.22 | 20.07 |
| B426J11ZQ22M | On | None | On* | 4PDT | 24.44 | 24.44 |
| B427J11ZQ22M | On* | Off | On* | 4PDT | 25.60 | 21.22 |
| B431J11ZQ22M | On | Off | On* | 4PDT | 25.60 | 21.22 |
| 6 AMP, COIN SILVER CONTACTS—RED COLOUR ACTUATOR—BLACK COLOUR BEZEL | | | | | | |
| B421J11ZQ32M | On | Off | On | 4PDT | 20.55 | 20.55 |
| B423J11ZQ32M | On | None | On | 4PDT | 19.28 | 19.28 |
| B426J11ZQ32M | On | None | On* | 4PDT | 24.44 | 24.44 |
| B427J11ZQ32M | On* | Off | On* | 4PDT | 25.85 | 20.45 |
| B431J11ZQ32M | On | Off | On* | 4PDT | 25.23 | 19.96 |

*Momentary Contact.