

MICRO SWITCH

Micro Switch Precision Switches

The MICRO SWITCH precision switches range from subminiature size "SX" switches to heavy duty "ML" limit switches. MICRO SWITCH precision switches are available in a large selection of actuator and terminal designs.

DEFINITIONS AND ABBREVIATIONS OF CATALOGUE TERMS

(O.F.) OPERATING FORCE—The amount of force applied to the switch plunger to cause "snap-over" of the contacts.

(F.O.F.) FULL OVERTRAVEL FORCE—The force required to attain full overtravel of the actuator.

(R.F.) RELEASE FORCE—The amount of force still applied to the switch plunger at the instant of "snap-back" of the contacts to the unoperated position.

(O.T.) OVERTRAVEL—The distance beyond "Operating Position" to the limit of overtravel.

(P.T.) PRETRAVEL—The distance travelled in moving the plunger from "Free Position" to "Operating Position".

(T.T.) TOTAL TRAVEL—The amount of plunger travel from "Free Position" to the actual limit or recommended limit of travel. The value of this characteristic is obtained by adding "Pretravel" and "Overtravel".

(D.T.) DIFFERENTIAL TRAVEL—The actuator travel from the point where the contacts "snap-over" to the point where the contacts "snap back".

BASIC REPLACEMENT—The Catalogue Number of the basic switching unit required for replacement in an enclosed switch assembly.



SIDE ROTARY



TOP ROTARY

HEAVY DUTY LS SERIES LIMIT AND ENCLOSED SWITCHES ROTARY ACTUATED SWITCHES

Plug-in body style catalogue numbers consist of the complete plug-in base receptacle. Catalogue numbers in table below are factory assembled with: Shaft of side rotary heads facing front of switch (label side). Head adjusted for both clockwise and counterclockwise operation. Light on indicator versions wired to N.O. circuit.

LEVERS ARE ORDERED SEPARATELY

Cat. No.	Body Style*	Actuator	Net Price
SPDT DOUBLE BREAK CONTACTS, ELECTRICAL RATING A			
LSA1A	Plug-in (1/2" Conduit)	Side Rotary—Standard	\$127.60
LSP1A		Side Rotary—Low Differential	135.22
LSU1A		Side Rotary—5° Pretravel	135.22
LSR1A		Side Rotary—Low Torque	127.60
LSH1A		Side Rotary—Low Differential, Low torque	135.22
LSB1A	Top Rotary—High Overtravel	170.14	
LSA3K	Non plug-in (1/2" Conduit)	Side Rotary—Standard	127.60
LSP3K		Side Rotary—Low Differential	135.22
LSU3K		Side Rotary—5° Pretravel	135.22
LSR3K		Side Rotary—Low Torque	127.60
LSH3K		Side Rotary—Low Differential, Low torque	135.22
LSB3K		Top Rotary—High Overtravel	170.14

*Plug-in Cat. Nos. include base.

LEVERS ARE ORDERED SEPARATELY

Cat. No.	Body Style*	Actuator	Net Price
DPDT DOUBLE BREAK CONTACTS, ELECTRICAL RATING B			
LSA2B	Plug-in (3/4" Conduit)	Side Rotary—Standard	\$154.90
LSP2B		Side Rotary—Low Differential	163.15
LSV2B		Side Rotary—5° Pretravel	175.21
LSR2B		Side Rotary—Low Torque	154.90
LSH2B		Side Rotary—Low Differential, Low torque	163.15
LSB2B	Top Rotary—High Overtravel	198.07	
LSA6B	Plug-in (1/2" Conduit)	Side Rotary—Standard	154.90
LSP6B		Side Rotary—Low Differential	163.15
LSV6B		Side Rotary—5° Pretravel	175.21
LSR6B		Side Rotary—Low Torque	154.90
LSH6B		Side Rotary—Low Differential, Low torque	163.15
LSB6B	Top Rotary—High Overtravel	198.07	
LSA4L	Non plug-in (3/4" Conduit)	Side Rotary—Standard	154.90
LSV4L		Side Rotary—Low Differential	175.21
LSU4L		Side Rotary—5° Pretravel	163.15
LSR4L		Side Rotary—Low Torque	154.90
LSH4L		Side Rotary—Low Differential, Low torque	163.15
LSB4L	Top Rotary—High Overtravel	198.07	
LSP7L	Non plug-in (1/2" Conduit)	Side Rotary—Low Differential	143.47
LSU7L		Side Rotary—5° Pretravel	196.16
LSR7L		Side Rotary—Low Torque	136.49
LSH7L		Side Rotary—Low Differential, Low torque	163.15
LSB7L		Top Rotary—High Overtravel	198.07

*Plug-in Cat. Nos. include base.



HEAVY DUTY LDLS SERIES LIMIT AND ENCLOSED SWITCHES ROTARY ACTUATED SWITCHES

Maintained, centre neutral, or sequential action. UL listed, CSA certified. Levers not included.

Cat. No.	Body Style**	Actuator	Net Price
SPDT DOUBLE BREAK CONTACTS, ELECTRICAL RATING A			
LSQ300	Plug-in (1/2" Conduit)	Maintained*—Alternate Action	\$182.20
LSN1A		Maintained*—2 Position Standard	151.09
LSN3K		Maintained*—2 Position Standard	151.09

*Total travel is approximately 80° max. Maintained contact switch normally used with LSZ53 yoke actuator.

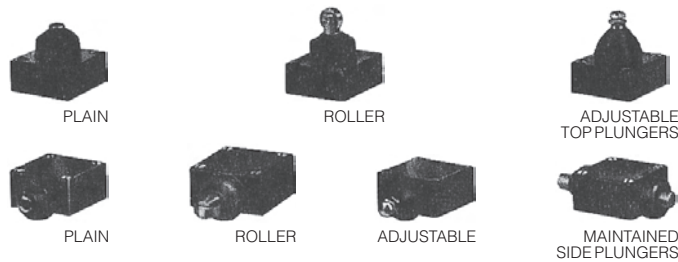
**Plug-in Cat. Nos. include base receptacle.

Continued on next page...

Cat. No.	Body Style**	Actuator	Net Price
DPDT DOUBLE BREAK CONTACTS, ELECTRICAL RATING B			
LSN2B	Plug-in (3/4" Conduit)	Maintained*—2 Position Standard	\$179.02
LSM2D		Centre Neutral—(Pole 1 operates CCW, Pole 2 operates CW)	163.15
LSL2C		Sequential—(Pole 1 operates before Pole 2, either CW or CCW or both)	179.02
LSN6B	Plug-in (1/2" Conduit)	Maintained*—2 Position Standard	179.02
LSM6D		Centre Neutral—(Pole 1 operates CCW, Pole 2 operates CW)	163.15
LSL6C		Sequential—(Pole 1 operates before Pole 2, either CW or CCW or both)	179.02
LSN4L	Non plug-in (1/2" Conduit)	Maintained*—2 Position Standard	179.02
LSM4N		Centre Neutral—(Pole 1 operates CCW, Pole 2 operates CW)	143.47
LSL4M		Sequential—(Pole 1 operates before Pole 2, either CW or CCW or both)	158.71
LSN7L	Non plug-in (1/2" Conduit)	Maintained*—2 Position Standard	158.71
LSM7N		Centre Neutral—(Pole 1 operates CCW, Pole 2 operates CW)	143.47
LSL7M		Sequential—(Pole 1 operates before Pole 2, either CW or CCW or both)	158.71

*Total travel is approximately 80° max. Maintained contact switch normally used with LSZ53 yoke actuator.

**Plug-in Cat. Nos. include base receptacle.



HEAVY DUTY LDLS SERIES LIMIT AND ENCLOSED SWITCHES PLUNGER ACTUATED SWITCHES

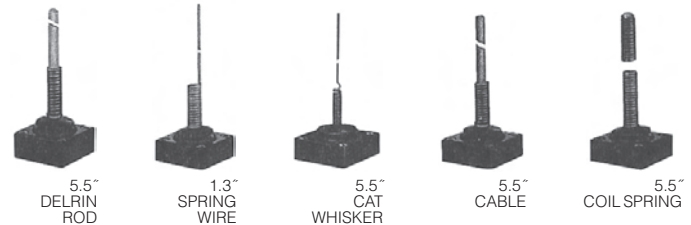
Momentary action, except for maintained contact LSG version. UL listed, CSA certified.

Cat. No.	Body Style*	Actuator	Net Price
SPDT DOUBLE BREAK CONTACTS, ELECTRICAL RATING A			
LSC1A	Plug-in (1/2" Conduit)	Top Plunger—Plain	\$139.03
LSD1A		Top Plunger—Roller	154.90
LSV1A		Top Plunger—Adjustable	147.28
LSE1A	Non plug-in (1/2" Conduit)	Side Plunger—Plain	147.28
LSF1A		Side Plunger—Roller	162.52
LSW1A		Side Plunger—Adjustable	154.90
LSG1A	Non plug-in (1/2" Conduit)	Side Plunger—Maintained	170.14
LSC3K		Top Plunger—Plain	139.03
LSD3K		Top Plunger—Roller	154.90
LSV3K	Non plug-in (1/2" Conduit)	Top Plunger—Adjustable	147.28
LSE3K		Side Plunger—Plain	147.28
LSF3K		Side Plunger—Roller	162.52
LSW3K	Non plug-in (1/2" Conduit)	Side Plunger—Adjustable	154.90
LSG3K		Side Plunger—Maintained	170.14

*Plug-in Cat. Nos. include base receptacle.

Cat. No.	Body Style*	Actuator	Net Price	
DPDT DOUBLE BREAK CONTACTS, ELECTRICAL RATING B				
LSC2B	Plug-in (3/4" Conduit)	Top Plunger—Plain	\$166.96	
LSD2B		Top Plunger—Roller	182.83	
LSV2B		Top Plunger—Adjustable	175.21	
LSE2B	Non plug-in (3/4" Conduit)	Side Plunger—Plain	175.21	
LSF2B		Side Plunger—Roller	190.45	
LSW2B		Side Plunger—Adjustable	182.83	
LSG2B	Non plug-in (1/2" Conduit)	Side Plunger—Maintained	198.07	
LSC6B		Plug-in (1/2" Conduit)	Top Plunger—Plain	166.96
LSD6B			Top Plunger—Roller	182.83
LSV6B	Top Plunger—Adjustable		175.21	
LSE6B	Non plug-in (1/2" Conduit)	Side Plunger—Plain	175.21	
LSF6B		Side Plunger—Roller	190.45	
LSW6B		Side Plunger—Adjustable	182.83	
LSG6B	Non plug-in (3/4" Conduit)	Side Plunger—Maintained	198.07	
LSC4L		Non plug-in (3/4" Conduit)	Top Plunger—Plain	166.96
LSD4L			Top Plunger—Roller	182.20
LSV4L	Top Plunger—Adjustable		175.21	
LSE4L	Non plug-in (1/2" Conduit)	Side Plunger—Plain	175.21	
LSF4L		Side Plunger—Roller	190.45	
LSW4L		Side Plunger—Adjustable	182.83	
LSG4L	Non plug-in (1/2" Conduit)	Side Plunger—Maintained	195.65	
LSC7L		Non plug-in (1/2" Conduit)	Top Plunger—Plain	166.96
LSD7L			Top Plunger—Roller	182.20
LSV7L	Top Plunger—Adjustable		154.90	
LSE7L	Non plug-in (1/2" Conduit)	Side Plunger—Plain	154.90	
LSF7L		Side Plunger—Roller	190.45	
LSW7L		Side Plunger—Adjustable	163.15	
LSG7L	Non plug-in (1/2" Conduit)	Side Plunger—Maintained	238.70	

*Plug-in Cat. Nos. include base receptacle.



HEAVY DUTY HDLS SERIES LIMIT AND ENCLOSED SWITCHES WOBBLE ACTUATED SWITCHES

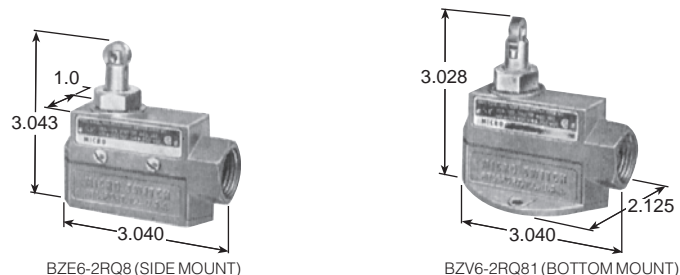
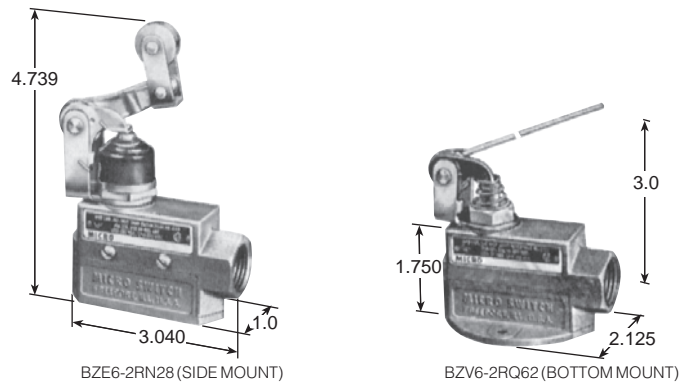
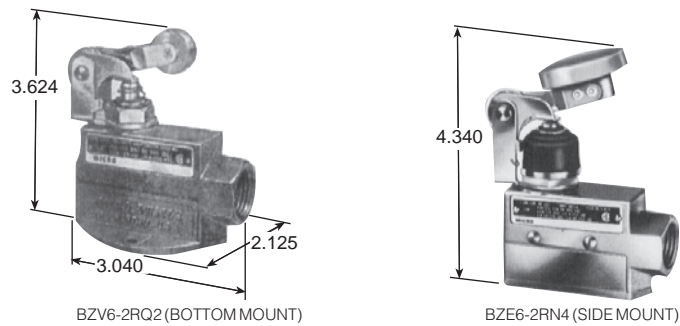
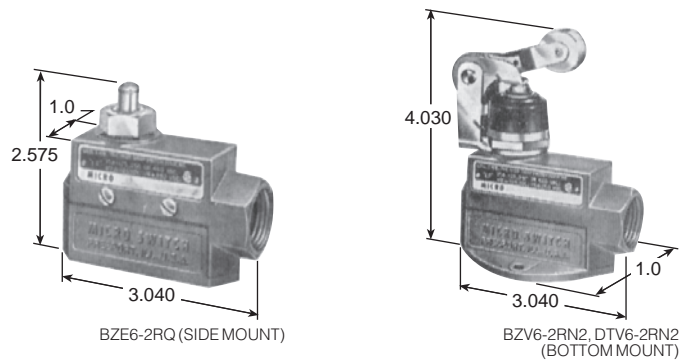
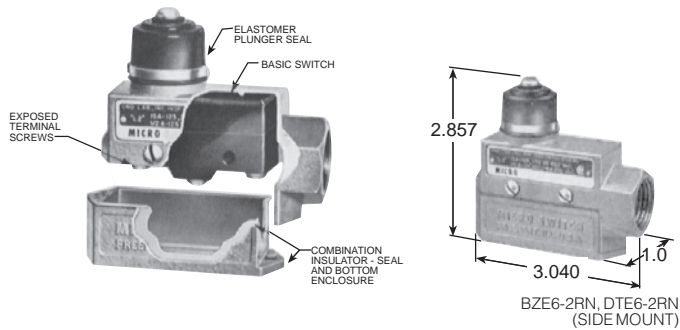
Wobble actuated switches have flexible levers which may be operated with any movement, except direct pull. Momentary action. UL listed, CSA certified.

Cat. No.	Body Style*	Actuator	Net Price
SPDT DOUBLE BREAK CONTACTS, ELECTRICAL RATING A			
LSJ1A-7A	Plug-in (1/2" Conduit)	5.5" Delrin Rod	\$139.03
LSJ1A-7M		13" Spring Wire	135.22
LSK1A-8A		5.5" Cat Whisker**	127.60
LSJ1A-7N	Non plug-in (1/2" Conduit)	5.5" Cable	144.11
LSK1A-8C		5.5" Coil Spring	144.11
LSJ3K-7A		5.5" Delrin Rod	139.03
LSJ3K-7M	Non plug-in (1/2" Conduit)	13" Spring Wire	135.22
LSK3K-8A		5.5" Cat Whisker**	127.60
LSJ3K-7N		5.5" Cable	144.11
LSK3K-8C	Non plug-in (1/2" Conduit)	5.5" Coil Spring	144.11

*Plug-in Cat. Nos. include base receptacle.

**These cat whiskers have 5.5" long levers. To specify 7.5" length, substitute -8B for -8A.

Continued on next page...



"E6" & "V6" ENCLOSED BASIC SWITCHES

Series "E6" (side mount) and "V6" (bottom mount) compact enclosed switches are available with or without actuator seal boots. Switches without seal boots offer lower operating forces and are recommended for use only where dust and splashing liquids are not factors. The lower half of the housing is removable, exposing the terminals to make wiring quick and easy. A combination insulator seal is bonded to the inside of the lower half of the housing, eliminating the need of handling a separate insulator and gasket. The hex-shaped hub accepts 1/2-14 threaded conduit. Except for the large mounting plates on the "V6" series, both housings are dimensionally the same. Lead washers are used on side-mounted "E6" switches to seal the mounting holes.

PLUNGERS:

"N" & "Q"—operation force in line with plunger motion of switch "N2" & "Q2"—roller arm actuators, adjustable 360° horizontal, 225° vertical "N28"—actuation one direction only, adjustable 360° horizontal, 180° vertical "N4"—1 1/2" manual operated button, adjustable 260° horizontal, 180° vertical "Q8"—roller parallel to long axis of switch "Q81"—roller perpendicular to long axis of switch "Q62"—low force rod actuator, can be cut or bent, adjustable 360° horizontal, 225° vertical.

ELECTRICAL RATINGS SINGLE-POLE DOUBLE-THROW

15 amps 125, 250 or 480 vac; 1/8 hp 125 vac; 1/4 hp 250 vac; 1/2 amp 125 vdc; 1/4 amp 250 vdc.

DOUBLE-POLE DOUBLE-THROW

10 amps 125 or 250 vac; 0.3 amp 125 vdc; 0.15 amp 250 vdc.

"E6" & "V6" COMPACT ENCLOSED SWITCHES SPECIFICATIONS

Cat. No.	O.F. Oz.	P.T. Max.	D.T. Max.	O.T. Min.
BZE6-2RN	9-24	.078"	.002"	.219"
BZE6-2RQ	9-13	.015"	.002"	.219"
DTE6-2RN	26-59	.110"	.055"	.125"
BZV6-2RN	9-24	.078"	.002"	.219"
BZV6-2RQ	9-13	.015"	.002"	.219"
DTV6-2RN	26-59	.110"	.055"	.125"
BZE6-2RN2	10-20	.188"	.006"	.219"
BZE6-2RQ2	10-18	.188"	.006"	.219"
DTE6-2RN2	—	.266"	.165"	.219"
BZV6-2RN2	10-20	.188"	.006"	.219"
BZV6-2RQ2	10-18	.188"	.006"	.219"
DTV6-2RN2	—	.266"	.165"	.219"
BZE6-2RN28	8-20	.234"	.006"	.219"
BZE6-2RN4	10-20	.188"	.006"	.219"
BZV6-2RN4	10-20	.188"	.006"	.219"
BZE6-2RQ9	9-13	.015"	.002"	.140"
BZE6-2RQ8	9-13	.015"	.002"	.140"
BZE6-2RN80	9-24	.078"	.002"	.219"
BZE6-2RQ81	9-13	.015"	.002"	.140"
BZV6-2RQ81	9-13	.015"	.002"	.140"
BZE6-2RQ62	2-5	.718"	.229"	.838"
BZV6-2RQ62	2-5	.718"	.229"	.838"

"E6" & "V6" COMPACT ENCLOSED SWITCHES

Cat. No.	Mounting	Seal Boot	Contacts	Net Price
STRAIGHT PLUNGER ACTUATOR				
BZE6-2RN	Side	With	SPDT 15A	\$61.29
BZE6-2RQ	Side	Without	SPDT 15A	51.59
DTE6-2RN	Side	With	DPDT 10A	143.87
BZV6-2RN	Bottom	With	SPDT 15A	66.84
BZV6-2RQ	Bottom	Without	SPDT 15A	55.88
DTV6-2RN	Bottom	With	DPDT 10A	157.16
ROLLER ARM ACTUATOR				
BZE6-2RN2 ϕ	Side	With	SPDT 15A	88.00
BZE6-2RQ2	Side	Without	SPDT 15A	75.27
DTE6-2RN2 ϕ	Side	With	DPDT 10A	168.69
BZV6-2RN2 ϕ	Bottom	With	SPDT 15A	96.50
BZV6-2RQ2	Bottom	Without	SPDT 15A	83.78
DTV6-2RN2 ϕ	Bottom	With	DPDT 10A	184.50
ONE-WAY ROLLER ARM ACTUATOR				
BZE6-2RN28	Side	With	SPDT 15A	105.57
MANUAL ACTUATOR				
BZE6-2RN4	Side	With	SPDT 15A	97.63
BZV6-2RN4	Bottom	With	SPDT 15A	105.57
ROLLER PLUNGER ACTUATOR				
BZE6-2RQ9	Side	Without	SPDT 15A	75.27
BZE6-2RQ8	Side	Without	SPDT 15A	75.27
BZE6-2RN80	Side	With	SPDT 15A	88.00
CROSS ROLLER PLUNGER ACTUATOR				
BZE6-2RQ81	Side	Without	SPDT 15A	75.27
BZV6-2RQ81	Bottom	Without	SPDT 15A	83.78

Continued on next page...

"E6" & "V6" COMPACT ENCLOSED SWITCHES

Cat. No.	Mounting	Seal Boot	Contacts	Net Price
LOW-FORCE ROD ACTUATOR				
BZE6-2RQ62	Side	Without	SPDT 15A	\$75.27
BZV6-2RQ62	Bottom	Without	SPDT 15A	83.78
§ 6PA2	replacement Roller Lever Actuator c/w Seal Boot for BZE6-2RN2, BZV6-2RN2, DTE6-2RN2 and DTV6-2RN2			44.70

BASIC REPLACEMENT SWITCH

Cat. No.	For Use W/Switch	Net Price
STRAIGHT PLUNGER ACTUATOR		
BZ-2RQ77	BZE6-2RN	\$26.31
BZ-2RQ66	BZE6-2RQ	19.91
DT-2R-A7	DTE6-2RN	79.23
BZ-2RQ77	BZV6-2RN	26.31
BZ-2RQ66	BZV6-2RQ	19.91
DT-2R-A7	DTV6-2RN	79.23

ROLLER ARM ACTUATOR

BZ-2RN702	BZE6-2RN2§	30.18
BZ-2RQ68	BZE6-2RQ2	28.63
DT-2R-A7	DTE6-2RN2§	79.23
BZ-2RN702	BZV6-2RN2§	30.18
BX-2RQ68	BZV6-2RQ2	28.63
DT-2RA7	DTV6-2RN2§	79.23

ONE-WAY ROLLER ARM ACTUATOR

BZ-2RN702	BZE6-2RN28	30.18
-----------	------------	-------

MANUAL ACTUATOR

BZ-2RN702	BZE6-2RN4	30.18
BZ-2RN702	BZV6-2RN4	30.18

ROLLER PLUNGER ACTUATOR

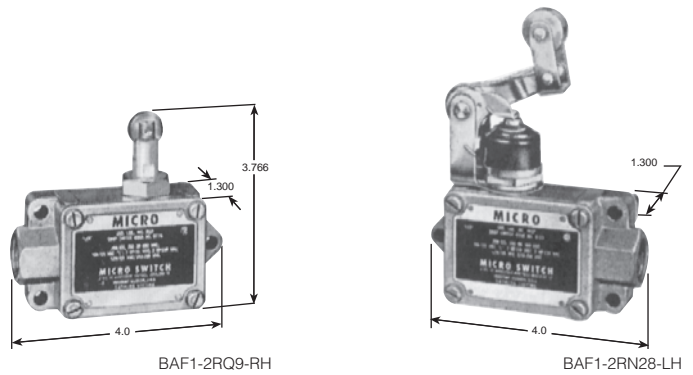
BZ-2RQ69	BZE6-2RQ9	37.29
BZ-2RQ784	BZE6-2RQ8	34.15
BZ-2RQ784	BZE6-2RN80	34.15

CROSS ROLLER PLUNGER ACTUATOR

BZ-2RQ785	BZE6-2RQ81	39.61
BZ-2RQ785	BZV6-2RQ81	39.61

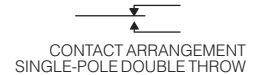
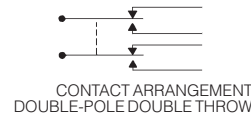
LOW-FORCE ROD ACTUATOR

BZ-2RQ68	BZE6-2RQ62	28.63
BZ-2RQ68	BZV6-2RQ62	28.63



BAF1-2RQ9-RH

BAF1-2RN28-LH



"BAF1" & "DTF2" HIGH CAPACITY ENCLOSED SWITCHES

"BAF1" enclosed switches are for applications requiring a small switch that will handle a large electrical load, making and breaking 20 amp steady current and switching inrush currents of up to 75 amps. Available with actuator seal boots to prevent the entry of moisture, dust or other foreign material. Accepts 1/2-14 threaded conduit and has three .265" diameter mounting holes. By removing the cover plate the switch unit can be rewired or replaced without removing the enclosure from its mounting.

ACTUATORS

"N", "N2", "N4", "N18", "N28"—are sealed with an elastomer (neoprene boot). "N"—straight plunger for in-line motion. "N2"—roller arm actuator, field adjustable 360° horizontal, 225° vertical. "N18"—flexible rod, operates from any direction except pull. "N28"—actuation one direction only, adjustable 360° horizontal, 180° vertical. "Q9", "QN8"—roller plunger for cam or slide actuation. "Q9"—plungers field adjustable 360° horizontal. "QN8"—switches are completely sealed.

ELECTRICAL RATINGS SINGLE-POLE DOUBLE-THROW

20 amps 125, 250 or 480 vac; 1 hp 115 vac; 2 hp 230 vac; Lamp Load 10 amps 125 vac; Maximum inrush 75 amps; 1/2 amp 125 vdc; 1/4 amp 250 vdc.

DOUBLE-POLE DOUBLE-THROW

10 amps 125 or 250 vac; 0.3 amp 125 vdc; 0.15 amp 250 vdc.

"BAF1" & "DTF2" HIGH CAPACITY ENCLOSED SWITCHES

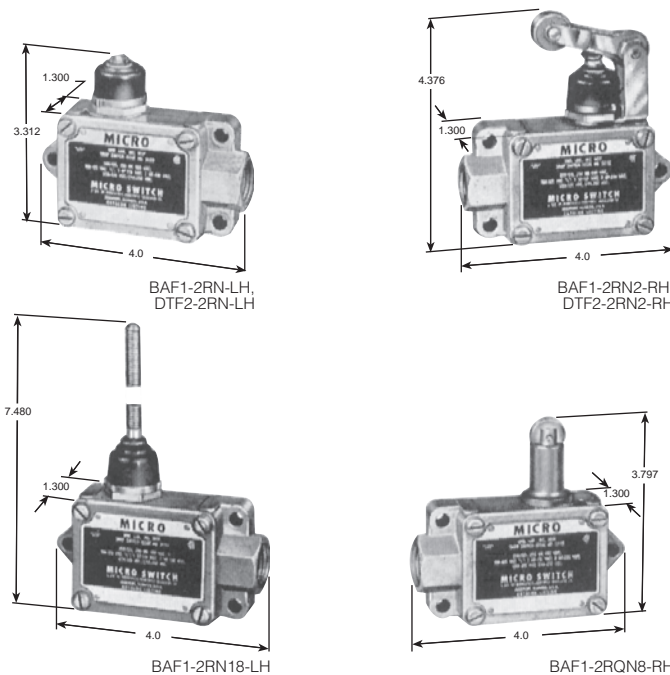
Cat. No. Left Hand	Cat. No. Right Hand	O.F. Max.	P.T. Max.	D.T. Max.	O.T. Min.
BAF1-2RN-LH	BAF1-2RN-RH	2.5 lbs.	.094"	.010"	.219"
DTF2-2RN-LH	DTF2-2RN-RH	2.5 lbs.	.141"	.060"	.156"
BAF1-2RN2-LH	BAF1-2RN2-RH	2.0 lbs.	.219"	.020"	.250"
DTF2-2RN2-LH		2.5 lbs.	.312"	.120"	.219"
BAF1-2RN18-LH	BAF1-2RN18-RH	—	10"	—	—
BAF1-2RN28-LH	BAF1-2RN28-RH	2.0 lbs.	.219"	.020"	.250"
BAF1-2RQ9-LH	BAF1-2RQ9-RH	2.5 lbs.	.094"	.010"	.156"
BAF1-2RQN8-LH	BAF1-2RQN8-RH	8.0 lbs.	.125"	.0075"	.187"

"BAF1" & "DTF2" HIGH CAPACITY ENCLOSED SWITCHES

Cat. No.	Switch Contacts	Net Price
STRAIGHT PLUNGER ACTUATOR WITH BOOT SEAL		
BAF1-2RN-LH	SPDT 20A	\$124.26
DTF2-2RN-LH	DPDT 10A	199.68
ROLLER ARM ACTUATOR WITH BOOT SEAL		
BAF1-2RN2-LH	SPDT 20A	156.74
DTF2-2RN2-LH	DPDT 10A	233.35
FLEXIBLE ROD ACTUATOR WITH BOOT SEAL		
BAF1-2RN18-LH	SPDT 20A	175.78
ONE WAY ROLLER ARM ACTUATOR WITH BOOT SEAL		
BAF1-2RN28-LH	SPDT 20A	182.60
ROLLER PLUNGER WITHOUT BOOT SEAL		
BAF1-2RQ9-LH	SPDT 20A	164.75
SEALED ROLLER PLUNGER WITHOUT BOOT SEAL		
BAF1-2RQN8-LH	SPDT 20A	211.98

NOTE: LH = Left Hand, RH = Right Hand

Continued on next page....



BAF1-2RN-LH,
DTF2-2RN-LH

BAF1-2RN2-RH,
DTF2-2RN2-RH

BAF1-2RN18-LH

BAF1-2RQN8-RH

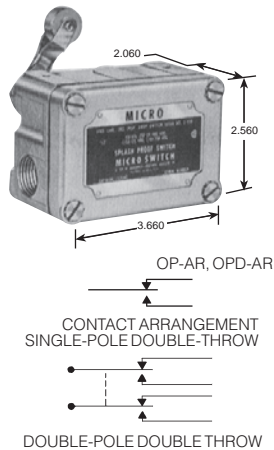
“BAF1” & “DTF2” HIGH CAPACITY ENCLOSED SWITCHES

Cat. No.	Switch Contacts	Net Price
STRAIGHT PLUNGER ACTUATOR WITH BOOT SEAL		
BAF1-2RN-RH	SPDT 20A	\$124.26
DTF2-2RN-RH	DPDT 10A	199.68
ROLLER ARM ACTUATOR WITH BOOT SEAL		
BAF1-2RN2-RH	SPDT 20A DPDT 10A	156.74 121.91
FLEXIBLE ROD ACTUATOR WITH BOOT SEAL		
BAF1-2RN18-RH	SPDT 20A	175.78
ONE WAY ROLLER ARM ACTUATOR WITH BOOT SEAL		
BAF1-2RN28-RH	SPDT 20A	182.60
ROLLER PLUNGER WITHOUT BOOT SEAL		
BAF1-2RQ9-RH	SPDT 20A	164.75
SEALED ROLLER PLUNGER WITHOUT BOOT SEAL		
BAF1-2RQN8-RH	SPDT 20A	211.98

NOTE: LH = Left Hand, RH = Right Hand

BASIC SWITCH REPLACEMENT

Cat. No.	Use W/Switch	Net Price
STRAIGHT PLUNGER ACTUATOR WITH BOOT SEAL		
BA-2R708-P7	BAF1-2RN-LH	\$33.48
DT-2R-A7	DTF2-2RN-LH	79.23
ROLLER ARM ACTUATOR WITH BOOT SEAL		
BA-2R708-P7	BAF1-2RN2-LH	33.48
DT-2R-A7	DTF2-2RN2-LH	79.23
FLEXIBLE ROD ACTUATOR WITH BOOT SEAL		
BA-2R708-P7	BAF1-2RN18-LH	33.48
ONE WAY ROLLER ARM ACTUATOR WITH BOOT SEAL		
BA-2R708-P7	BAF1-2RN28-LH	33.48
ROLLER PLUNGER WITHOUT BOOT SEAL		
BA-2R708-P7	BAF1-2RQ9-LH	33.48
SEALED ROLLER PLUNGER WITHOUT BOOT SEAL		
BA-2R708-P7	BAF1-2RQN8-LH	33.48



“OP” ENCLOSED SWITCHES

“OP” switches are for use in applications where a rugged, sealed construction is required and where the splash of oil, water or other coolants may be encountered. These switches are directly interchangeable with type “EX” explosion-proof switches. A mounting bracket (15PA85-EX) is furnished with each switch. This bracket is used to mount the switch from top, bottom, back, or end. They can also be mounted directly using 10-32 NF screws. All roller arm actuators are adjustable through 360°. The low force roller lever operates the switch in either direction.

ELECTRICAL RATINGS SINGLE-POLE DOUBLE-THROW

15 amps 125, 250 or 480 vac; 1/8 hp 125 vac; 1/4 hp 250 vac; 1/2 amp 125 vdc; 1/4 amp 250 vdc.

DOUBLE-POLE DOUBLE-THROW

10 amps 125 or 250 vac; 0.3 amp 125 vdc; 0.15 amp 250 vdc.

“OP” ENCLOSED SWITCHES SPECIFICATIONS

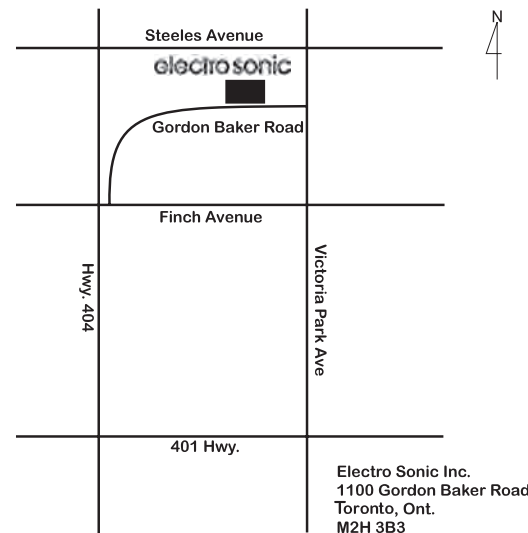
Cat. No.	O.F. Max.	P.T. Max.	D.T. Max.	O.T. Min.
OP-AR	.5-1.25 lbs.	8"	.25"	90°
OPD-AR	.5-1.25 lbs.	8"	4"	25°

“OP” HEAVY DUTY SPLASH-PROOF ENCLOSED SWITCHES

Cat. No.	Switch Contacts	Net Price
ROLLER ARM ACTUATOR—CLOCK WISE ACTUATION		
OP-AR	SPDT 15A	\$162.36
OPD-AR	DPDT 10A	232.15
BASIC SWITCH REPLACEMENT		
BZ-2R-P4	For OP-AR	11.35
DT-2R-A7	For OPD-AR	79.23

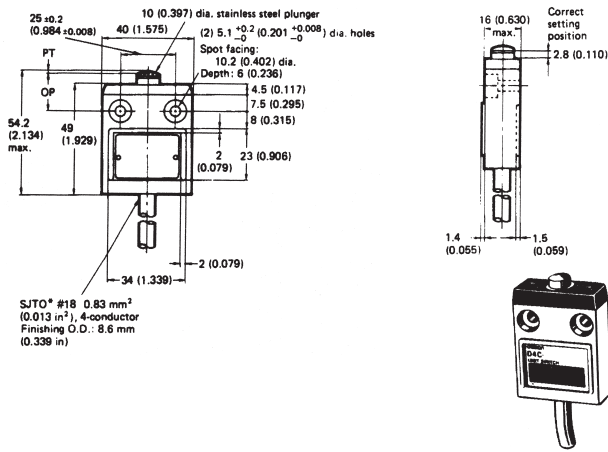
SALES COUNTER LOCATION

TORONTO, ONTARIO



Electro Sonic Inc.
1100 Gordon Baker Road
Toronto, Ont.
M2H 3B3

HOURS: MON-FRI 8:00 am to 5:00 pm
SAT (Sept. to May) 9:00 am to 2:00 pm



D4C ENCLOSED LIMIT SWITCHES SEALED, COMPACT, SLIM PREWIRED LIMIT SWITCH

FEATURES:

- Rugged diecast housing.
- Meets UL types 3, 4 and 13.
- Triple-sealed construction.
- Designed for easy gang mounting.
- Rated load of 5 amps, 250 VAC.
- Prewired with 3 m (9.8 ft) or 5 m (16.4 ft of cable).
- UL/CSA approvals.

D4C ENCLOSED LIMIT SWITCHES, SPDT

Cat. No.	Description	Rated Voltage	Net Price
D4C-1601	Pin Plunger/ Pre-Wired 3 M	125-250 VAC/ 8-250 VDC	\$75.00
D4C-1602	Roller Plunger/ Pre-Wired 3 M	125-250 VAC/ 8-250 VDC	75.00
D4C-1620	Roller Lever/ Pre-Wired 3 M	125-250 VAC/ 8-250 VDC	87.00
D4C-1631	Sealed Plunger/ Pre-Wired 3 M	125-250 VAC/ 8-250 VDC	75.00
D4C-1632	Sealed Roller Plunger/ Pre-Wired 3 M	125-250 VAC/ 8-250 VDC	75.00
D4C-1633	Sealed Cross Roller Plunger/ Pre-Wired 3 M	125-250 VAC/ 8-250 VDC	75.00
D4C-1650	Coil Spring/ Pre-Wired 3 M	125-250 VAC/ 8-250 VDC	75.00

D4GL GUARD LOCK SAFETY-DOOR SWITCH

- Environment-friendly switch with direct opening contacts.
- Contains no harmful substances, such as lead or cadmium, reducing the burden on the environment.
- Slim safety-door switch with an electromagnentic lock or unlock mechanism.
- Models with 4-contact and 5-contact built-in switches are available.
- Capable of a holding force of 1,000 N min.
- Can be used for either standard loads or microloads.
- Lineup includes models with a conduit size of M20.
- Patent and industrial design approval pending.

CONTACT CONFIGURATION CHART

Cat. No.	Contact Configuration
-A	1NC/1NO slow-action contacts plus 1NC/1NO slow-action contacts
-B	1NC/1NO slow-action contacts plus 2NC slow-action contacts
-C	2NC slow-action contacts plus 1NC/1NO slow-action contacts
-D	2NC slow-action contacts plus 2NC slow-action contacts
-E	2NC/1NO slow-action contacts plus 1NC/1NO slow-action contacts
-F	2NC/1NO slow-action contacts plus 2NC slow-action contacts
-G	3NC slow-action contacts plus 1NC/1NO slow-action contacts
-H	3NC slow-action contacts plus 2NC slow-action contacts

Cat. No.	Conduit Size	Indicator	Release Key Type	Head Material	Net Price
----------	--------------	-----------	------------------	---------------	-----------

MECHANICAL LOCK SOLENOID RELEASE

D4GL-4-B-FA-A	M20	Y	Standard	Plastic	\$425.00
D4GL-4-B-FA-A4	M20	Y	Special	Plastic	425.00

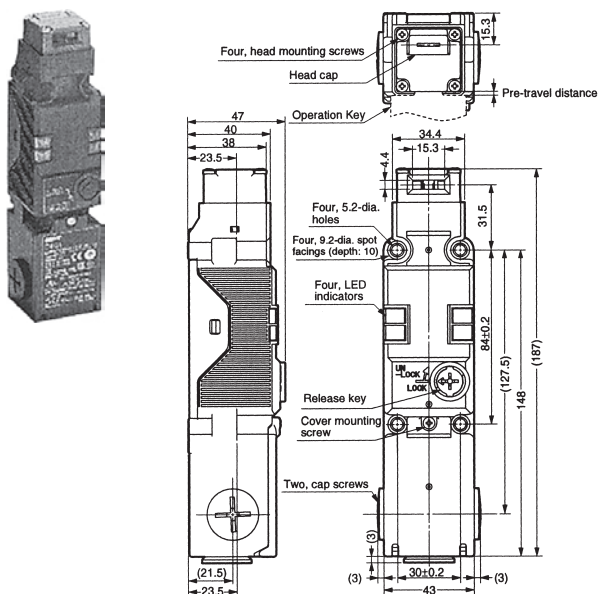
SOLENOID LOCK MECHANICAL RELEASE

D4GL-4-B-FG-A	M20	Y	Standard	Plastic	425.00
D4GL-4-B-FG-A4	M20	Y	Special	Plastic	425.00

NOTE: Replace -B in Cat. No. with any contact configuration number in the chart above. Example—change Cat. No. D4GL-1-B-FA-A to D4GL-1-C-FA-A.

OPERATION KEY TYPE FOR SERIES D4GL LOCK SAFETY-DOOR

Cat. No.	Operation Key Type	Net Price
D4DS-K1	Horizontal mounting	\$5.60
D4DS-K2	Vertical mounting	5.60
D4DS-K3	Adjustable mounting (horizontal)	17.60
D4DS-K5	Adjustable mounting (horizontal/vertical)	29.90
D4NL-RK	Special Key	9.40



1-800-56-SONIC
www.e-sonic.com

OUR NEWSLETTERS AND SPECIAL MAILINGS
KEEP YOU INFORMED OF NEW LINES
AND THE LATEST IN NEW PRODUCTS.