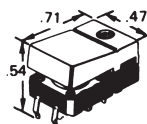
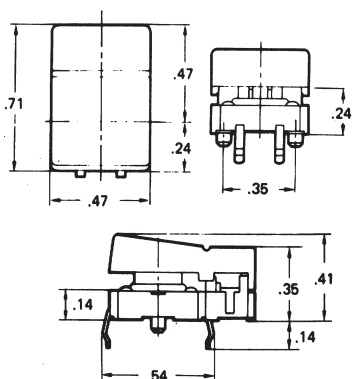
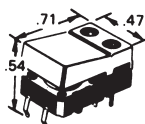


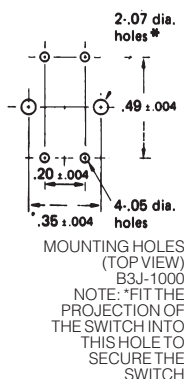
B3J-1000



B3J-5000R
KEYCAPS



DIMENSIONS



OMRON B3J SERIES MECHANICAL KEYSWITCHES

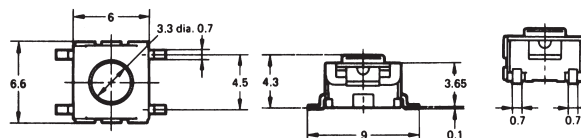
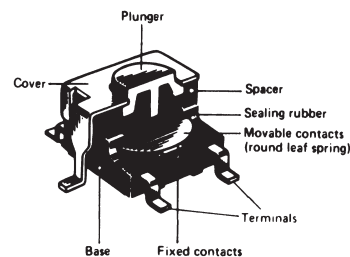
Hinge Type with Wide Variations in Button/LED Colours.

FEATURES:

- Flux-tight structure allows automatic soldering of the keyswitches onto a PC board.
- Hook type hinge mechanism provides a feel of sharp snap-action upon button depression.
- Single LED and double LED types available in addition to the versions without LED indicator.
- Hinged buttons available in light grey.
- Ideal for applications such as audio, office and communications equipment, measuring instruments, TV's, VCR's, etc.

OMRON B3J SERIES MECHANICAL KEYSWITCH [50MA, 24VDC (RESISTIVE LOAD) SPST-NO (MOMENTARY CONTACT)]

Cat. No.	LED Type	LED Colour	Switch Height x Pitch	Ground Terminal	Net Price
.71" x .47" (OF = 4.6 ± 1.8 OZ).					
B3J-1000	No	—	.41" x .54"	No	\$2.07
B3J-2000	Single	Red	.41" x .54"	No	3.68
B3J-3000	Single	Yellow	.41" x .54"	No	3.68
B3J-4000	Single	Green	.41" x .54"	No	3.68
B3J-5000	Double	Red/Yellow	.41" x .54"	No	5.20



DIMENSIONS
B3S-1000-1002

OMRON B3S SERIES MECHANICAL KEYSWITCHES

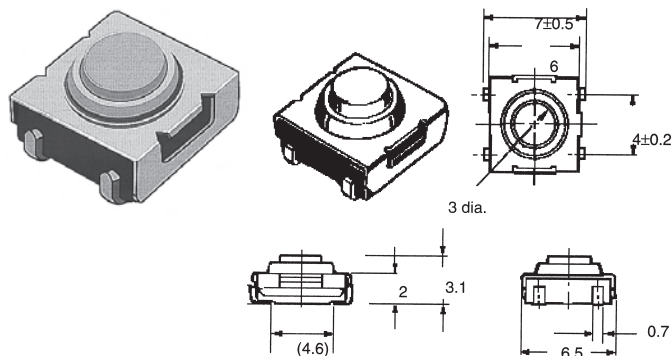
Surface-mount Version Ideal for High Density Packing.

FEATURES:

- Sealed construction allows immersion-cleaning of the PC board with the keyswitches mounted and soldered.
- Ground terminal available to protect against static electricity.
- Ideal for applications such as audio, office, and communications equipment, measuring instruments, industrial robots, VCR's, TV's, and vending machines.

OMRON B3S SERIES MECHANICAL KEYSWITCHES [50MA, 24VDC (RESISTIVE LOAD) SPST-NO (MOMENTARY CONTACT)]

Cat. No.	Type	Plunger	Switch Height x Pitch	Ground Terminal	Net Price
.24" x .24" (6MM x 6MM), (OF = 160G). GENERAL PURPOSE TYPE					
B3S-1000	Standard	Flat	4.3mm x 9mm	No	\$1.06
B3S-1100	Standard	Flat	4.3mm x 9mm	Yes	1.06
.24MM x .24MM (6MM x 6MM), (OF = 230G). HIGH LOAD TYPE					
B3S-1002	Standard	Flat	4.3mm x 9mm	No	1.06
B3S-1102	Standard	Flat	4.3mm x 9mm	Yes	1.06



B3SN MECHANICAL KEYSWITCH (SMD)

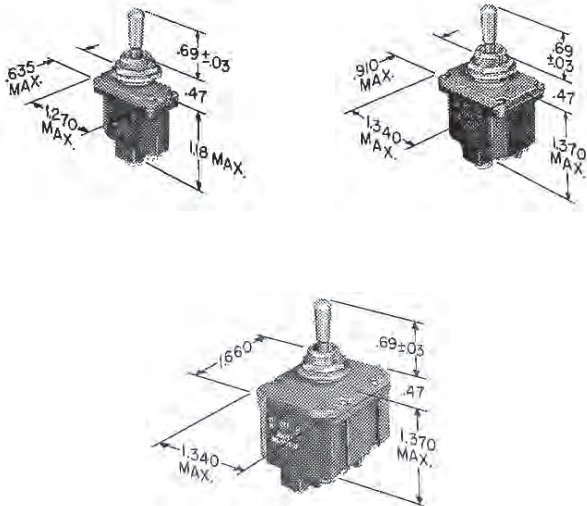
FEATURES:

- Ideal mechanical key switch for surface mounting.
- Compact and more than 1 mm thinner than conventional mechanical key switches.
- Available with ground terminals for protection against static electricity.
- Sealed construction conforming to IP62 (IEC-529) provides high reliability in dusty or humid environments.

B3SN MECHANICAL KEY SWITCH SURFACE MOUNT

Cat. No.	Type	Switch Height x Pitch	Ground Terminal	Contact Form	Net Price
B3SN MECHANICAL KEY SWITCH SURFACE MOUNT					
B3SN-3012	Bulk Packaging	3.1 x 6.5mm	No	SPST	\$1.56
B3SN-3112	Bulk Packaging	3.1 x 6.5mm	Yes	SPST	1.56
B3SN-3012P	Embossed Tape*	3.1 x 6.5mm	No	SPST	1.58
B3SN-3112P	Embossed Tape*	3.1 x 6.5mm	Yes	SPST	1.58

*Embossed tape must be ordered in 3kpcs multiples.



EATON 8500 SERIES MILITARY ENVIRONMENTALLY SEALED SWITCHES, STANDARD LEVER

SPECIFICATIONS: Positive detent action. Reliable momentary action. Base material is self-extinguishing. High mechanical/electrical capabilities. Molded-in terminal inserts. Molded-in terminal identification. Flush screw terminals. Full silicon seal—increased electrical insulation protection. Toggle lever throw, $33^\circ \pm 10^\circ$. $15/32$ "-32 threaded bushing—Keyway $.076 \pm .008$. Ratings at 28VDC and 115VAC, 60/400Hz.

STANDARD LEVER

Cat. No.	Lever Action			Net Price Each		
	Up	Center	Down	1-24	25-49	50-Up
ONE POLE						
8500K1	On	Off	On	\$22.16	\$20.45	\$18.99
8500K9	On	None	Off	22.16	20.45	18.99
8500K4	On	None	On	22.16	20.45	18.99
8500K6	On	Off	None	24.48	22.60	20.99
8500K8	On	Off*	None	24.48	22.60	20.99
8500K5	On	None	On*	22.16	20.45	18.99
8500K2	On*	Off	On*	22.16	20.45	18.99
8500K7	None	Off	On*	24.48	22.60	20.99
8500K10	On	None	Off*	22.16	20.45	18.99
8500K11	Off	None	On*	22.16	20.45	18.99
8500K3	On	Off	On*	22.16	20.45	18.99
8500K12	On*	On	None	27.21	25.11	23.32
8500K13	On	On	None	27.21	25.11	23.32

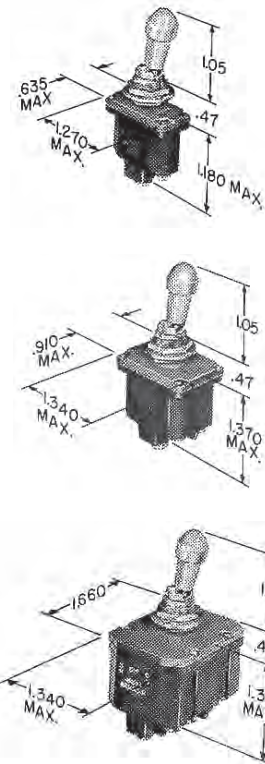
TWO POLE

8501K1	On	Off	On	29.70	27.42	25.46
8501K9	On	None	Off	29.70	27.42	25.46
8501K4	On	None	On	29.70	27.42	25.46
8501K6	On	Off	None	32.92	30.39	28.22
8501K8	On	Off*	None	32.92	30.39	28.22
8501K5	On	None	On*	29.70	27.42	25.46
8501K2	On*	Off	On*	29.70	27.42	25.46
8501K7	None	Off	On*	33.13	30.58	28.40
8501K10	On	None	Off*	29.70	27.42	25.46
8501K11	Off	None	On*	29.70	27.42	25.46
8501K3	On	Off	On*	29.70	27.42	25.46
8501K12	On*	On	None	35.19	32.48	30.16
8501K13	On	On	None	35.19	32.48	30.16
8501K14	On	On	On	34.25	31.62	29.36
8501K15	On	On	On*	34.25	31.62	29.36
8501K16	On*	On	On*	34.25	31.62	29.36

FOUR POLE

8502K1	On	Off	On	47.72	44.05	40.90
8502K9	On	None	Off	47.72	44.05	40.90
8502K4	On	None	On	47.72	44.05	40.90
8502K6	On	Off	None	50.73	46.83	43.48
8502K8	On	Off*	None	52.98	48.90	45.41
8502K5	On	None	On*	47.72	44.05	40.90
8502K2	On*	Off	On*	47.72	44.05	40.90
8502K7	None	Off	On*	50.86	46.94	43.59
8502K10	On	None	Off*	47.72	44.05	40.90
8502K11	Off	None	On*	47.72	44.05	40.90
8502K3	On	Off	On*	47.72	44.05	40.90
8502K12	On*	On	None	52.98	48.90	45.41
8502K13	On	On	None	52.98	48.90	45.41
8502K15	On	On	On	52.06	48.06	44.62
8502K16	On	On	On*	52.06	48.06	44.62
8502K17	On*	On	On*	52.06	48.06	44.62

*Momentary Contact



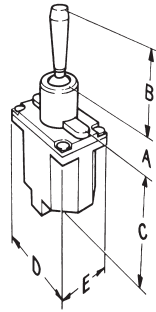
EATON 8500 SERIES MILITARY ENVIRONMENTALLY SEALED SWITCHES, LEVER LOCK

SPECIFICATIONS: Positive detent action. Reliable momentary action. Base material is self-extinguishing. High mechanical/electrical capabilities. Molded-in terminal inserts. Molded-in terminal identification. Flush screw terminals. Full silicon seal—increased electrical insulation protection. Toggle lever throw, $33^\circ \pm 10^\circ$. $15/32$ "-32 threaded bushing—Keyway $.076 \pm .008$. Rating at 28VDC and 115VAC, 60/400Hz.

LEVER LOCK

Cat. No.	Lever Action			Net Price Each		
	Up	Center	Down	1-24	25-49	50-Up
ONE POLE						
8503K1	On→	←Off→	←On	\$43.98	\$37.70	\$32.30
8503K27	On	←Off→	←On	43.96	37.68	32.30
8503K5	On→	Off	←On	43.96	37.68	32.30
8503K2	On	←Off→	On	54.64	40.58	34.99
8503K28	On→	Off	On	43.96	37.68	32.30
8503K3	On	Off	←On	43.96	37.68	32.30
8503K29	On→	Off→	On	43.96	37.68	32.30
8503K30	On	←Off	←On	43.96	37.68	32.30
8503K31	On→	←Off→	On	43.96	37.68	32.30
8503K32	On	Off→	On	43.96	37.68	32.30
TWO POLE						
8504K1	On→	←Off→	←On	53.54	45.89	39.33
8504K27	On	←Off→	←On	53.54	45.89	39.33
8504K5	On→	Off	←On	53.54	45.89	39.33
8504K2	On	←Off→	On	53.54	45.89	39.33
8504K28	On→	Off	On	53.54	45.89	39.33
8504K3	On	Off	←On	53.54	45.89	39.33
8504K29	On→	Off→	On	53.54	45.89	39.33
8504K30	On	←Off	←On	53.54	45.89	39.33
8504K31	On→	←Off→	On	53.54	45.89	39.33
8504K32	On	Off→	On	53.54	45.89	39.33
FOUR POLE						
8505K1	On→	←Off→	←On	74.57	63.92	54.80
8505K27	On	←Off→	←On	74.57	63.92	54.80
8505K5	On→	Off	←On	74.57	63.92	54.80
8505K2	On	←Off→	On	74.57	63.92	54.80
8505K28	On→	Off	On	74.57	63.92	54.80
8505K3	On	Off	←On	74.57	63.92	54.80
8505K29	On→	Off→	On	74.57	63.92	54.80
8505K30	On	←Off	←On	74.57	63.92	54.80
8505K31	On→	←Off→	On	74.95	64.25	55.06
8505K32	On	Off→	On	74.57	63.92	54.80

→ Indicates direction against which lever is locked.



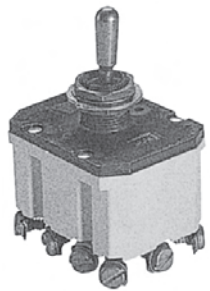
EATON 8510 SERIES ENVIRONMENTALLY SEALED TOGGLE SWITCH

Completely sealed against dust, moisture and other contaminants including a frame to body seal that meets Commercial hose down tests. Features a reliable momentary action with positive detent action. These switches have molded-in terminal inserts with molded-in terminal identification. Switches come completely assembled with #6-32 UNC-2A terminal screws and mounting hardware for 1 5/16" x 0.469" bushing. Use of the panel seal **32-341** is recommended to prevent moisture and contaminants from entering panel enclosures. (Not included, order separately.)

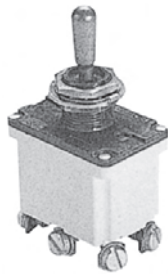
No. of Poles	Dimensions, Inches				
	A	B	C	D	E
1	0.469	0.69	1.180	1.270	0.635

Cat. No.	Lever			Terminal	Net Price
	Up	Center	Down		
SPDT—15 AMP @ 115VAC; 15 AMP @ 28VDC					
8510K2	On*	Off	On*	Screw	\$20.31
32-341	Panel seal				5.01

*Momentary contact.



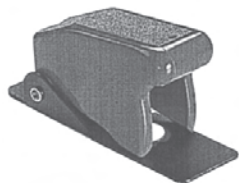
8532



8531



8530



8497K2



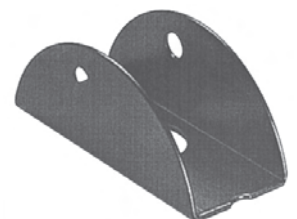
8497K1
8497K3
8497K7



8496K2



8495K1



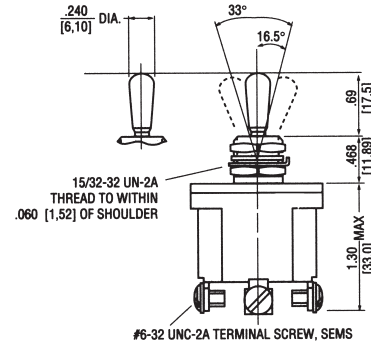
8492K1

EATON INDUSTRIAL GRADE SWITCH GUARDS

FEATURES: For use with 2 or 3 position switches. Metal and molded covers. Flush and one hole mounted (OHM) mounting styles. MS approved and QPL'd per MIL-G-7703. Covers are molded out of thermoset molding materials. Guard covers are spring loaded to either close or lock in open position. One hole mounting and three hole mounting available. Keyway orientation variations offered on some guards.

Cat. No.	Switch Mounting	Switch Positions	Lever Material	Colour	Location of Keyway Tab	Net Price Each		
						1-24	25-49	50-Up
8497K2	Flush	2	Phenolic	Red	—	\$19.52	\$18.01	\$16.73
8495K1	Flush/OHM	2 or 3	Metal**	Black	—	18.27	16.86	15.66
8496K2	OHM	3	Phenolic	Red	Opp. Hinged End	17.83	16.46	15.28
8497K1	OHM	2	Phenolic	Red	Opp. Hinged End	19.35	17.86	16.59
8497K3	OHM	2	Phenolic	Red	Hinged End	19.52	18.01	16.73
8497K7	OHM	2	Phenolic	Red	Opp. Hinged End	24.57	22.68	21.06
8492K1	OHM	2 or 3	Metal**	Black	Opp. Pin Hole	8.56	7.91	7.34

** Guard has no moving lever



EATON 8500 SERIES ENVIRONMENTALLY SEALED TOGGLE SWITCHES

SPECIFICATIONS: Watertight seal per MIL-std-108E and designed to meet IP68. UL recognized and CSA certified. Terminals: Screw: 6-32 UNC-2A. Life: 50,000 operations at rated load. 100,000 operations mechanical life. Temperature Range: -50°F to +150°F (-46°C to +66°C). Other types of terminations offered: Solder lug and spade terminals.

Cat. No.	Lever Action			Net Price Each		
	Up	Centre	Down	1-24	25-49	50-Up
ONE POLE						
8530K1	On	Off	On	\$17.00	\$15.69	\$14.57
8530K2	On*	Off	On*	17.00	15.69	14.57
8530K10	On	None	Off*	17.00	15.69	14.57
8530K11	Off	None	On*	17.00	15.69	14.57
8530K3	On	Off	On*	17.00	15.69	14.57
8530K12	On*	On	None	20.89	19.28	17.90
8530K13	On	On	None	20.89	19.28	17.90
TWO POLE						
8531K1	On	Off	On	23.90	22.06	20.49
8531K2	On*	Off	On*	23.90	22.06	20.49
8531K10	On	None	Off*	23.90	22.06	20.49
8531K3	On	Off	On*	23.90	22.06	20.49
FOUR POLE						
8532K9	On	None	Off	38.76	35.78	33.22
8532K4	On	None	On	38.76	35.78	33.22
8532K5	On	None	On*	38.76	35.78	33.22
8532K2	On*	Off	On*	38.76	35.78	33.22
8532K11	Off	None	On*	38.76	35.78	33.22

* Momentary Contacts