



SZL-VL-A



SZL-VL-B



SZL-VL-C



SZL-VL-D



SZL-VL-H

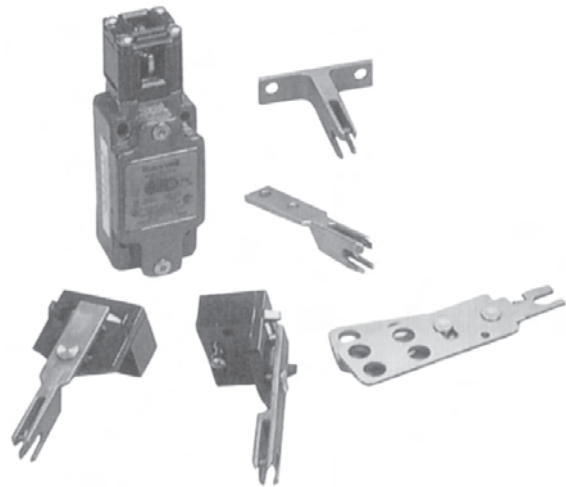


SZL-VL-F

SERIES SZL-VL MINIATURE LIMIT SWITCHES

The economical SZL-VL series miniature type limit switches are specially designed for applications of small mounting space. These miniature switches are ideal for OEM machinery which requires a rugged and reliable limit switch that is capable of being mounted in space restricted applications. Operating speed: 0.1/s to 1m/s. Contact arrangement: SPDT double break. Contact material: Gold-plated silver. **FEATURES:** Special design for easy wiring with ample wiring space. Diecast base and plastic cover. Standard mounting dimensions. 5 A current capacity. Long mechanical life. Ambient temp. range: -20 to 60°C. UL, CE approved. **APPLICATIONS:** Machine tools. Material handling. Food processing machinery. Conveyors. Packaging machinery.

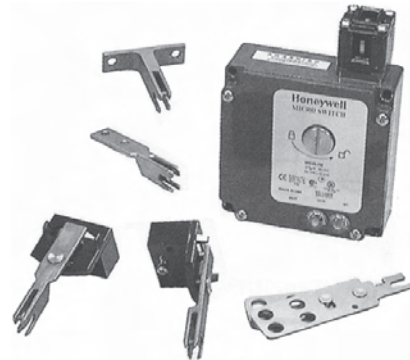
Cat. No.	Description	Net Price
♣ SZL-VL-A	Miniature limit switch metal roller lever	\$24.76
♣ SZL-VL-B	Miniature limit switch adjustable roller lever	24.76
♣ SZL-VL-C	Miniature limit switch metal adjustable roller lever	24.76
♣ SZL-VL-D	Miniature limit switch top push plunger	24.76
♣ SZL-VL-F	Miniature limit switch plastic rod coil spring	24.76
♣ SZL-VL-H	Miniature limit switch cross roller plunger	24.76



SERIES GK DUAL ENTRY KEY OPERATED SAFETY INTERLOCK SWITCH

These GK Series is designed specifically for use on machines where key removal brings the machine to an immediate safe condition. It provides enhanced operator safety when added to hinged or sliding guard doors, screens and protective covers on enclosures. The GK Series is especially well suited for large door applications, typically in the automotive plant floor environment. Its heavy duty construction withstands harsh industrial environments where rugged, long-term durability is required. **FEATURES:** Side or top key entry. Unique friction feature for key retention. Indicators for status available. Choice of four heavy duty keys. Standard mounting per EN 50041. International conduit offering. Positive opening operation of Normally Closed contacts conforming to IEC/EN 60947-5-1-3. UL listed, CSA and CE approved. **BENEFITS:** Allows up to either different key entry positions. Door vibration does not trip the safety circuit. Remote signaling can be achieved easily at the switch. Key mounting flexibility and security. Simple mounting. Machinery can use local termination standards. Welded contacts will separate—vital for safety applications. Choice of wiring capabilities (switching inductive and safety relay loads).

Cat. No.	Description	Net Price
♣ GKBA14L7	Key op. safety sw. c/w 90 deg. key, 2-N.O. and 2-N.C.	\$146.65
♣ GKBA14L6	Key op. safety sw. straight key, 2-N.O. and 2-N.C.+	146.65
♣ GKBA3L7	Key op. safety sw. c/w 90 deg. key, 1-N.O. and 1-N.C.	119.98
♣ GKBA3L6	Key op. safety sw. c/w 90 deg. key, 1-N.O. and 1-N.C.	119.98
♣ GKLE44L7A2	Solenoid op key switch, c/w 90 deg. Key, 24VDC solenoid, 2-N.O. and 2-N.C.	542.59
♣ GKLE44L6A2	Solenoid op key switch, straight key, 24VDC solenoid, 1-N.O. and 1-N.C.	542.59
♣ GKZ58	Spring-loaded up/down replacement key for GKB "safety key switches"	39.99
♣ GKZ59	Spring-loaded left/right replacement key for GKB "safety key switches"	39.99

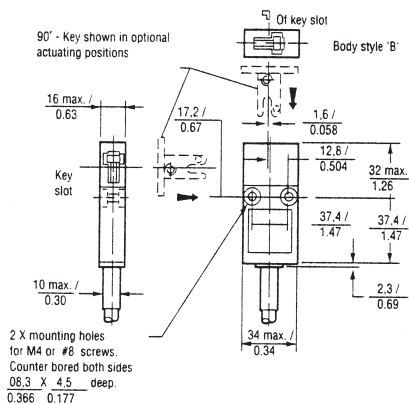


Continued on next page....

SERIES GKL AND GKR DUAL ENTRY SOLENOID KEY OPERATED SAFETY INTERLOCK SWITCH

The GKR (head to the right) and GKL (head to the left) products offer the user an unrivalled range of standard options. The GKR/GKL product is a key actuated device incorporating a key trapping mechanism. The switch is used on machinery where instant stop and access to the machinery is either impossible (due to the momentum of the machine) or impractical (due to tool or machine damage or scrapped product if the current machine cycle is interrupted). The switch incorporates an optional manual override feature which allows removal of the key for emergency access. Over 1000 options are available in a simple to understand part number tree. **FEATURES:** Mechanical life: Up to 1 million. Sealing: IP 68, NEMA/UL type 1, 4, 6P, 12, 13. Operating temperature: -25°C to 40°C (-13°F to 104°F). Approvals UL, CSA, CE, AC15 A33/A600, DC12 Q300. Contacts: Silver, gold plated. Latching mechanism: (solenoid unlock with screwdriver).

Cat. No.	Contact Type	Solenoid Voltage	Net Price
HEAD TO THE LEFT, 1/2 INCH—NPT BUNA-N SEALS			
⊕ GKLE3LXA2	3 (1NC/1NO, BBM)	24VDC	\$462.61
⊕ GKLE40LXA2	40 (4NC)	24VDC	\$29.26
⊕ GKLE46LXA2	46 (3NC, BBM)	24VDC	\$15.93
HEAD TO THE RIGHT, 1/2 INCH—NPT BUNA-N SEALS			
⊕ GKRE40LXA2	40 (4NC)	24VDC	\$29.26
⊕ GKRE46LXA2	46 (3NC, BBN)	24VDC	\$29.26

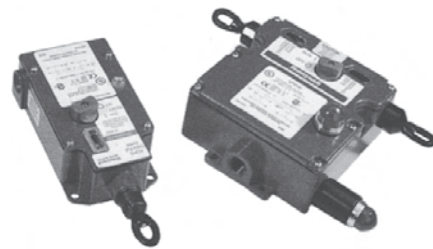


SERIES GKM GLOBAL MINIATURE SAFETY KEY INTERLOCK SWITCH

Used alone as Category 1 safety components or, in conjunction with other safety switches and our complete range of safety relays, it is possible to construct comprehensive protection schemes with Category 2, 3, or 4 compliance. The preloaded versions allow rapid fit, easy cable routing and function testing which cut costs dramatically in OEM applications. Simple upgrade guarding solution for End User applications. Low energy basic switches are rated as follows: Operating voltage U_e : 1 to 50VAC or VDC. Operating current I_e : 1μA to 100mA.

FEATURES: Integrated cable or connector(s). Bottom or side entry cable. 90° and straight key. Top or side key entry. High switching current capabilities. Extremely compact enclosure. Positive opening operation of normally closed contacts conforming to IEC/EN 60947-5-1-3. IP 67 enclosure rating. Stackable design allows one switch on top of the other. Dust cap for unused key entry. Robust stainless steel keys. UL Listed, CSA Certified, CE Approved. **BENEFITS:** Immediately recognizable as safety component. Reduced installation time and costs. Flexibility in mounting/actuation options. Switch equipment directly and through safety control modules. Fits into extremely compact spaces. Suitable for wet applications. Extremely simple mechanical redundancy as well as electrical redundancy. Very easy to apply to multiple door modular machinery—no difficulty in wiring small switch enclosures. Durable and tough design.

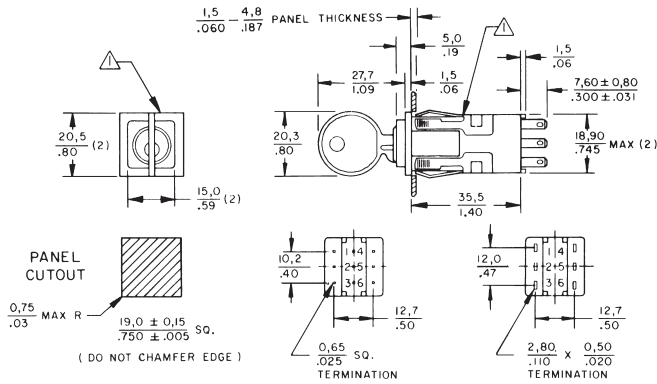
Cat. No.	Description	Net Price
GKMB13W1	Miniature safety key interlock switch, c/w stainless straight key, 1m lead	\$82.40
GKMB13W2	Miniature safety key interlock switch, c/w stainless 90 deg. key, 1m lead	82.40
GKMD03W1	Miniature safety key interlock switch, c/w stainless straight key, Q-C.	108.56
GKMD03W2	Miniature safety key interlock switch, c/w stainless 90 deg. key, Q-C.	108.56



SERIES CPS CABLE PULL SAFETY SWITCHES

The CPS series pull safety switches provide a readily accessible emergency stop signal. This is a cost effective means compared to using multiple emergency stop push-buttons. (Cable pull safety switches are not, used to prevent further injury or damage to equipment when used for however, to be used as a means of personnel safeguarding. They may be emergency stop signaling). Designed to provide emergency stop protection for exposed conveyor and assembly lines. The internal mechanism latches on both slackened cable (push) and pulled cable. This capability also enhances productivity by eliminating nuisance stops due to variations in temperature, stretch of cable over time, and other application variables. The **Model 1CPS** is intended for use in applications where the cable span is 76m (250 ft) or shorter. It is an economical solution for shorter runs or zone protection typical to automated systems. **FEATURES:** mechanical life: 1,000,000. Sealing: IP67, NEMA 1, 4, 12, 13. Operating temperature: -25°C to 80°C (-13°F to 176°F). Contacts: Gold plate over silver. Approvals: UL, CSA. The **Model 2CPS** is intended for use in very long cable runs of 152m (500 ft) or shorter, such as long conveyor lines found in warehouses. **FEATURES:** Mechanical life: 1,000,000. Sealing: IP67, NEMA 1, 4, 12, 13. Operating temperature: -40°C to 80°C (-40°F to 176°F). Contacts: Gold plate over silver. Approvals: UL, CSA. The CPS complies with: Low voltage directive 73/23/EEC, as amended by directive 93/68/EEC; machinery directive 98/37/EEC only as the directives relate to the components being used in a safety function; IEC/EN 60947-1; IEC/EN 60947-5-1; IEC/EN 60947-5-5.

Cat. No.	Description	Net Price
1 CABLE PULL SWITCH		
⊕ 1CPSA1	Dual head cable pull limit switch 2NC/2NO with no indicator.	\$215.84
⊕ 1CPSA1A	Single head cable pull limit switch 1NC/1NO with 24VDC red LED indicator.	238.70
⊕ 1CPSA1B	Single head cable pull limit switch 1NC/1NO with 120VDC red LED indicator.	238.70
2 CABLE PULL SWITCH		
⊕ 2CPSA1A1	Single head cable pull limit switch 1NC/1NO with no indicator.	455.81
⊕ 2CPSA1A1A	Dual head cable pull limit switch 2NC/2NO with 24VDC red LED indicator.	531.99
⊕ 2CPSA1A1B	Dual head cable pull limit switch 2NC/2NO with 120VAC red LED indicator.	531.99

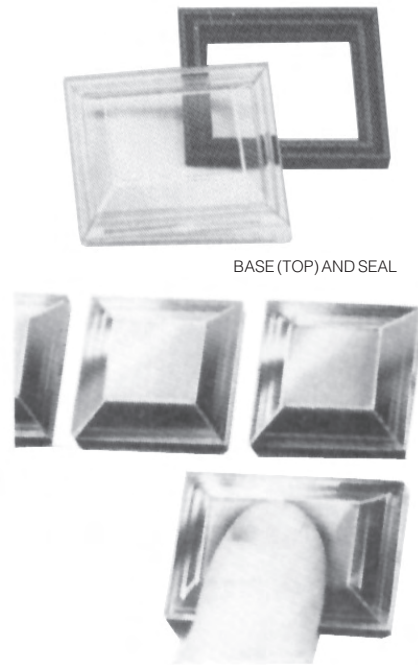


ELECTRONIC CONTROL KEYLOCK SWITCHES AML27

This AML complementary keylock switch enables control of access to computer peripherals, keyboards, point-of-sale terminals, security systems, and other locations where tampering must be discouraged. This switch has a capacity of 3 amps @ 125VAC, 2 amps 24VDC; 1 pole, 2 position with 90° detent, maintained. Is CSA certified and comes complete with two keys.

Cat. No.	Description
AML27ABK2AAZ1BA	Keylock Switch

NOTE: Contact your Electro Sonic sales representative for pricing.



PANEL SEALS AML75

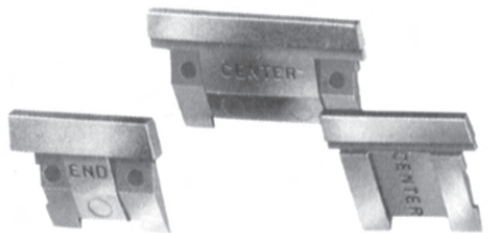
The panel seal consists of a matte black plastic base which press-fits between the panel and switch bezel, and a transparent flexible seal which snaps into the base. Button colour and legends can be viewed without distortion whether lighted or unlighted. Seals can be conveniently replaced or removed for relamping, without removing the switch from panel. The panel seals fit pushbutton switches and indicators and provide protection from contamination, accidental liquid spills, dust, and dirt and are easy to install without tools.

USE WITH SQUARE .19" HIGH BUTTONS

Cat. No.	Description	Net Price
AML75ABC	Base & Seal	\$6.01

USE WITH RECTANGULAR .19" HIGH BUTTONS

AML75BBC	Base & Seal	5.96
----------	-------------	------



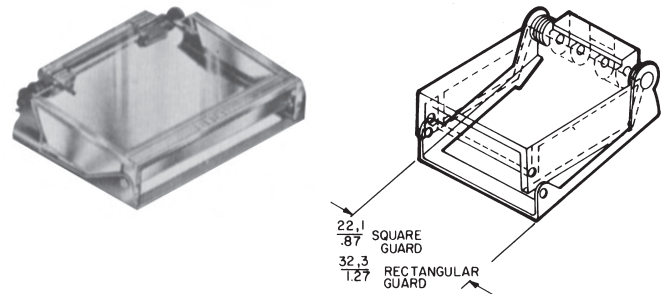
BARRIERS AML71

The AML71 BARRIERS are used to separate switches and indicators. They also help prevent accidental operation of two or more pushbutton switches with a single push (or by an object that is dropped or placed on a panel in which pushbutton switches are mounted).

Barriers are designed for front of panel mounting, with an individual station or several units in slot mount applications. Two different types are available: end barriers and centre barriers.

When mounting an individual unit, an end barrier is attached to each side of the housing. The centre barrier is used in a slot-mount series.

Cat. No.	Length	Type	Net Price
AML71SCB	Short (For use with square devices and short side of rectangular device).	Centre	\$1.58
AML71SEB		End	1.58
AML71LCB	Long (For use with long side of rectangular device).	Centre	1.58
AML71LEB		End	1.58



SWITCH GUARD AML76

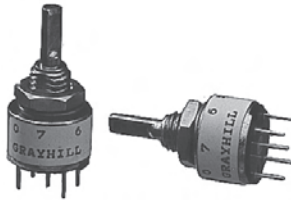
The AML76 switch guard protects both square and rectangular .19" standard height pushbuttons from inadvertent actuation. It is for use with standard bezel type switches only. Consists of a clear, polycarbonate thermoplastic through which the button is easily visible. The word "lift" is moulded onto the top front edge of the guard. The bracket is bright-finished stainless steel. The switch guard may be assembled to the AML pushbutton before or after the switch is installed in a panel. The pushbutton cannot be operated when the switch guard cover is closed, preventing accidental operation. A wire lock-down feature further prevents unintentional actuation of the switch. Lamps can be replaced with the switch guard attached, without special tools, saving maintenance time.

Cat. No.	Description	Net Price
AML76C10T01P	Square Switch Guard	\$9.81
AML76F10T01P	Rectangular Switch Guard	9.81

Grayhill Rotary Switches

MANU
174
CODE

Cat. No.	Description	Net Price
SOLDER LUG TERMINALS, 0.125" DIAMETER SHAFT		
71AD36-01-1-AJN	1 Deck, 1 Pole/Deck	\$18.47
71AD36-01-2-AJN	1 Deck, 2 Poles/Deck	19.18
71AD36-02-1-AJN	1 Deck, 1 Pole/Deck	23.91
71AD36-02-2-AJN	1 Deck, 2 Poles/Deck	25.40
SOLDER LUG TERMINALS, 0.250" DIAMETER SHAFT		
71BD36-01-1-AJN	1 Deck, 1 Pole/Deck	18.46
71BD36-01-2-AJN	1 Deck, 2 Poles/Deck	19.18
71BD36-02-1-AJN	2 Decks, 1 Pole/Deck	23.91
71BD36-02-2-AJN	2 Decks, 2 Poles/Deck	25.40
71BD30-01-1-AJN	1 Deck, 1 Pole/Deck	18.46
71BD30-01-2-AJN	1 Deck, 2 Poles/Deck	19.18
71BD30-02-1-AJN	2 Decks, 1 Pole/Deck	23.91
71BD30-02-2-AJN	2 Decks, 2 Poles/Deck	25.40
PC TERMINALS, 0.125" DIAMETER SHAFT		
71ADF36-01-1-AJN	1 Deck, 1 Pole/Deck	19.21
71ADF36-02-1-AJN	2 Decks, 1 Pole/Deck	26.73
71ADF36-02-2-AJN	2 Decks, 2 Poles/Deck	26.79
71ADF30-01-1-AJN	1 Deck, 1 Pole/Deck	18.55
71ADF30-02-2-AJN	2 Decks, 2 Poles/Deck	28.00
PC TERMINALS, 0.250" DIAMETER SHAFT		
71BDF36-01-1-AJN	1 Deck, 1 Pole/Deck	18.55
71BDF36-01-2-AJN	1 Deck, 2 Poles/Deck	20.60
71BDF36-02-1-AJN	2 Decks, 1 Pole/Deck	27.23
71BDF36-02-2-AJN	2 Decks, 2 Poles/Deck	26.79
71BDF30-01-1-AJN	1 Deck, 1 Pole/Deck	19.78
71BDF30-01-2-AJN	1 Deck, 2 Poles/Deck	20.51
71BDF30-02-2-AJN	2 Decks, 2 Poles/Deck	38.58



CODED OUTPUT ROTARY SWITCHES

Series 26 switch is rated to make and break logic compatible loads for 25,000 operations; a cycle is 360 and a return thru all positions. The four output terminals are on 0.3 x 0.2" (7,62 x 5,08 mm) centers with the common terminal in the center; terminals are marked on the switch. The switch may have continuous rotation, or be adjusted to limit the rotation. All switches have shaft and panel seal. The panel seal ring can be removed to expose the stop pin holes on the front of the switch. Two stop pins are supplied with the switch. One or both may be used to limit the rotation as desired. Approx. .322" (8,43 mm) behind panel plus terminals. Shaft projects .625" (11,88 mm).

Cat. No.	Description	Net Price
26ASD22-01-1-AJS	16 Positions, BCD Output	\$14.90
26ASD45-01-1-AJS	8 Positions, BCD Output	15.76
26GS22-01-1-16S-C	16 Positions, Grey Code Output	36.50



03S501

KEYLOCK SWITCHES

ON/OFF SWITCHES

- Miniature, 0.780" (19,81 mm) behind panel; 0.6" (15,24 mm) diameter.
- Make and break 2 Amps @ 120 Vac, resistive.
- Turret type key, 2 supplied, pulls each position.

Cat. No.	Description	Net Price
03S501	On/Off	\$13.38



03S702S,
03S702L

ON/OFF SWITCHES, SELECT KEY PULLS

- Make and break 4 Amps @ 120 Vac, resistive.
- Turrent type key, 2 supplied.
- Key pulls at both positions; 1.26" (32,0 mm) panel, 0.88" (22,35 mm) diameter.

Cat. No.	Description	Net Price
03S702S	On/Off	\$14.82

- Key pulls at first position only; 52" (38,61 mm) behind panel, 0.88" (22,35 mm) diameter.

Cat. No.	Description	Net Price
03S702L	On/Off	\$14.82



03S603, 03S604, 03S606

DPDT CIRCUITRY, TWO COMMONS, EACH SELECT ONE OF TWO POSITIONS

- Make and break 4 Amps @ 120 Vac, resistive.
- Dimensions, 1.031" (26,19 mm) behind panel; 0.88" (22,35 mm) diameter.
- Flat key, 2 supplied, keyed alike, pulls at both positions.

Cat. No.	Description	Net Price
03S603	DPDT	\$12.16

3 POSITION, PROGRESSIVE CONTACT; POSITION A, TERMINALS 1 & 2 CLOSED; B-1 & 3; C-3 & 5

- Make and break 4 Amps @ 120 Vac, resistive.
- Dimensions, 1.031" (26,19 mm) behind panel; 0.88" (22,35 mm) dia.
- Flat key, 2 supplied, keyed alike, pulls at all positions.

Cat. No.	Description	Net Price
03S604	Progressive Contact	\$16.49

3 POSITION, CENTRE KEY PULL, CENTRE POSITION, TERMINALS 1 & 8 CLOSED; LEFT, 8 & 7; RIGHT 1 & 2

- Make and break 4 Amps @ 120 Vac, resistive.
- Dimensions, 1.031" (26,19 mm) behind panel; 0.88" (22,35 mm) dia.
- Flat key, 2 supplied, centre pull only.

Cat. No.	Description	Net Price
03S606	Centre Pull	\$14.82

ORDERING INFORMATION

Cat. No.	Description	Net Price Each	
		1-24	25-Up
03S501	On/Off	\$13.38	\$11.15
03S702S	On/Off	14.82	12.35
03S702L	On/Off	14.82	12.35
03S603	DPDT	12.16	10.13
03S604	Progressive Contact	16.49	13.74
03S606	Center Pull	14.82	12.35

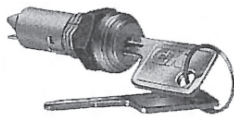
Cannon Switches & DIP Switches



C&K Y SERIES TUMBLER SWITCHLOCKS

Y Series panel mount switchlocks. **CONTACT RATING:** 4 amps @ 125VAC or 28 VDC; 2 amps @ 250VAC (UL/CSA). **DIELECTRIC STRENGTH:** 1,00 VRMS min. @ sea level. **LOCK:** Zinc alloy with stainless steel facing. **KEYS: (Y101132C)**—two nickel plated brass keys, **(Y1011U2W)**—two zinc alloy keys with chrome plating. **SWITCH HOUSING:** Glass filled polyester (UL 94V-0). **CONTACT AND TERMINALS:** Copper, silver plated. **TERMINAL SEAL:** Epoxy.

Cat. No.	No. of Poles	Indexing	No. of Positions	Net Price Each	
				1-499	500-Up
FOUR TUMBLER WITH DETENT, SOLDER LUG TERMINALS					
Y101132C203NQ	SP	45°	2-4	\$11.61	
SIX TUMBLER WITH ANTI-STATIC SWITCH, SOLDER LUG TERMINALS					
Y1011U2W203NQ	SP	90°	2	15.82	



C&K YM SERIES MINIATURE INTERNATIONAL SWITCHLOCKS

YM Series panel mount switchlocks. **CONTACT RATING:** 4 amps @ 125VAC or 28 VDC; 2 amps @ 250 VAC (UL/CSA). **DIELECTRIC STRENGTH:** 1000 VRMS min. @ sea level. **LOCK:** Zinc alloy with stainless steel facing. **KEYS:** Two nickel plated brass. **SWITCH HOUSING:** 6/6 nylon (UL 94V-2). **CONTACTS AND TERMINALS:** Copper, silver plated.

Cat. No.	No. of Poles	Indexing	No. of Positions	Net Price Each	
				1-499	500-Up
YM06132C205NQ	SPST	90°	2	\$13.10	\$9.21



C&K A SERIES PANEL MOUNT ROTARY SWITCHES

A series non-shorting rotary switches. **CONTACT RATING:** Switch—2.5 amps @ 125VAC; 350 mA @ 125 VDC; 150 mA @ 250 VDC (UL/CSA). **CURRENT CARRY CAPACITY:** 5 amps. **DIELECTRIC STRENGTH:** 1000 VRMS min. @ sea level. **HOUSING AND BUSHING:** Glass filled 6/6 nylon (UL 94V-0). **MOVABLE CONTACTS:** Coin silver, silver plated. **STATIONARY CONTACTS AND TERMINALS:** Brass, silver plated.

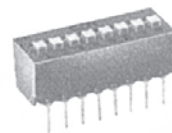
Cat. No.	Circuit	Net Price Each		
		1-499	500-2499	2500-Up
SOLDER TERMINALS				
A11215RNZQ	SP 12-Position	\$5.93	\$3.76	\$3.40
A20615RNZQ	DP 6-Position	6.28	3.98	3.60
A30415RNZQ	3P 4-Position	6.21	3.92	3.55
A40315RNZQ	4P 3-Position	6.80	4.30	3.89
PC TERMINALS				
A11215RNCQ	SP 12-Position	5.93	3.76	3.40
A20615RNCQ	DP 6-Position	6.28	3.98	3.60
A30415RNCQ	3P 4-Position	6.21	3.92	3.55
A40315RNCQ	4P 3-Position	6.80	4.30	3.89



C&K M SERIES HALF-INCH ROTARY SWITCHES

CARRY RATING: 6A continuous. **SWITCH RATING:** 250mA max. at 125VAC or 28VDC. Nonshorting contacts. **INDEXING:** prefix ME and MF in type number = 38°; prefix MG and MG in type number = 30°. **OPERATING TEMPERATURE:** -30°C to +85°C. **ACTUATOR:** zinc alloy, nickel-plated. **HOUSING AND BUSHING:** zinc alloy. **BASE:** diallylphthalate or melamine phenolic. **CONTACTS AND TERMINALS:** copper allow, silver-plated. All terminals insert molded. **PANEL MOUNTING:** 0.250" (6.35) dia. hole. **HARDWARE:** nut, lockwasher. All models have 360° rotation with no stops. Stop rings are supplied for user selectable stops.

Cat. No.	Circuit	No. of Pos.	Net Price Each		
			1-499	500-2499	2500-Up
SOLDER TERMINAL					
ME00L1NZQD	SP	10	\$11.33	\$7.57	\$6.85
MG00L1NZQD	SP	12	11.61	7.75	7.02
MF00L1NZQD	DP	5	12.59	8.42	7.62
MH00L1NZQD	DP	6	12.94	8.66	7.84
PC TERMINALS					
ME00L1NCQD	SP	10	11.68	7.87	7.12
MF00L1NCQD	DP	5	12.94	8.72	7.89
MF00L1NCQD	DP	6	12.94	8.72	7.89



VERTICAL MOUNT



RIGHT ANGLE MOUNT

C&K BD SERIES WASHABLE DIP SWITCHES

Withstands machine soldering and cleaning. **CARRY RATING:** 100mA max. at 50VDC. **SWITCH RATING:** 100mA max. at 5VDC or 25mA max. at 25VDC. SPST function. **OPERATING TEMPERATURE:** -40°C to +85°C. **ACTUATOR:** Gf nylon (UL94V-0). **HOUSING:** Gf polyester (UL94V-0). **CONTACTS:** WE#1 over palladium silver over nickel. **TERMINALS:** Tin-lead alloy. **TERMINAL SPACING:** 0.100" (2.54).

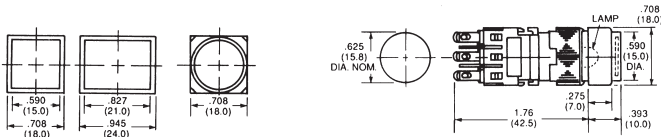
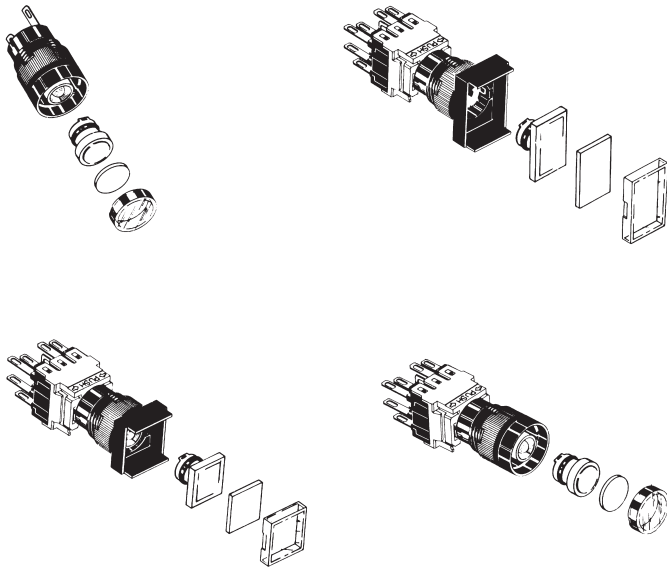
Cat. No.	No. of Pos.	Dim. "A"	Net Price Each		
			1-499	500-2499	2500-Up
VERTICAL MOUNT DIP SWITCHES					
BD01	1	.180"	\$1.05	\$1.05	\$0.72
BD02	2	.280"	1.73	1.07	.74
BD03	3	.380"	1.75	1.07	.74
BD04	4	.480"	1.92	1.17	.81
BD05	5	.580"	1.96	1.19	.81
BD06	6	.680"	2.03	1.23	.85
BD07	7	.780"	2.10	1.29	.89
BD08	8	.880"	2.17	1.33	.93
BD10	10	1.080"	2.36	1.43	.99
BD12	12	1.280"	2.52	1.53	1.07
RIGHT ANGLE MOUNT					
BD02AV	2	.280"	2.80	1.82	1.74
BD04AV	4	.480"	2.97	1.92	1.84
BD06AV	6	.680"	3.11	2.00	1.92
BD08AV	8	.880"	3.25	2.08	2.00



C&K TDA SERIES ULTRA-MINIATURE SURFACE MOUNT HALF-PITCH DIP SWITCHES

Surface mountable, low-profile, SPST DIP switches with spacing of 0.050" between terminals. Body height of 0.098". Gulf wing terminals are tin-lead plated. Taped sealed switch is vacuum pick and place compatible, and will withstand machine soldering and cleaning. Can withstand vapor phase and IR soldering up to 260°C. **CONTACT RATING:** 0.4VA @ 20VDC. **CONTACTS:** Gold plated. **LIFE EXPECTANCY:** 1,000 cycles min. **INITIAL CONTACT RESISTANCE:** 100 milliohms max.

Cat. No.	No. of Pos.	Terminals	Net Price Each		
			1-2499	2500-9999	10000-Up
TDA02H0SK1	2	0.150"	\$1.48	\$1.36	\$1.16
TDA04H0SK1	4	0.250"	1.57	1.43	1.23
TDA06H0SK1	6	0.350"	1.86	1.71	1.46
TDA08H0SK1	8	0.450"	3.39	1.96	1.67
TDA10H0SK1	10	0.550"	5.03	2.89	2.47

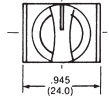
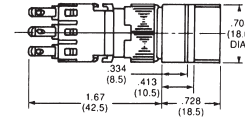
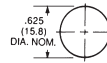
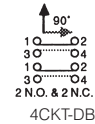
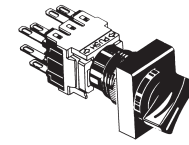


ALCO COMMAND SERIES ILLUMINATED PUSHBUTTON SERIES

Command Series Illuminated Pushbuttons are instrument-grade switches having snap-action double-break contacts, silver clad and gold plated to satisfy the requirements of logic level and power switching. Contacts are isolated from the lamp circuit. Tactile feel is excellent and maintained models have latching feature for visible indication of status. Contact rating: 0.4VA at 20VDC or peak AC; 5A at 250VAC or 24VDC resistive. Dielectric strength: 1500VRMS. Life expectancy: 100,000 operations. Fits 5/8" diameter panel hole. Uses T-1 1/4 midjet flanged base lamp, relampable from front of panel.

BUTTONS AND LAMPS NOT SUPPLIED, ORDER SEPARATELY

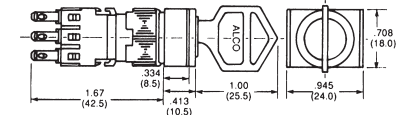
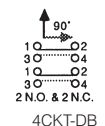
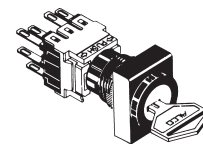
Cat. No.	Contacts	Action	Net Price
ROUND			
164EL-1104	2CKT-DB	Momentary	\$32.87
164EL-2204	4CKT-DB	Momentary	41.95
164EL5-1104	2CKT-DB	Push-On/Push-Off	38.51
164EL5-2204	4CKT-DB	Push-On/Push-Off	46.07
164-EZ04	Matching Indicator Light		18.18
64E-0	Round Lens Button Set, Black		1.46
64E-2	Red		1.46
64E-3	Orange		1.46
64E-4	Yellow		1.46
64E-5	Green		1.46
64E-9	Clear (White)		1.46
SQUARE			
164SL-1104	2CKT-DB	Momentary	32.87
164SL-2204	4CKT-DB	Momentary	41.95
164SL5-1104	2CKT-DB	Push-On/Push-Off	37.37
164SL5-2204	4CKT-DB	Push-On/Push-Off	46.07
164SZ	Pilot Light Indicator		12.98
64S-0	Square Lens Button Set, Black		2.16
64S-2	Red		2.16
64S-3	Orange		2.16
64S-5	Green		2.30
64S-9	Clear (White)		2.16
RECTANGULAR			
164TL-1104	2CKT-DB	Momentary	32.87
164TL-2204	4CKT-DB	Momentary	41.95
164TL5-1104	2CKT-DB	Push-On/Push-Off	38.51
164TL5-2204	4CKT-DB	Push-On/Push-Off	46.07
64T-2	Red		2.16
64T-3	Orange		2.16
64T-4	Yellow		2.16
64T-5	Green		2.30
64T-9	Clear (White)		2.16



ALCO COMMAND SERIES SELECTOR SWITCHES

Command Series Selector Switches are 2 & 3-position rotary types with snap-acting double-break contacts. All models have 90° throw. Contacts are silver clad and gold plated to provide reliable operation at logic levels as well as for power or 24VDC resistive. Dielectric strength: 1500VRMS. Life expectancy: 100,000 operations. Fits 5/8" diameter panel hole.

Cat. No.	Contacts	Action	Net Price Each	
			1-499	500-Up
2 POSITION				
164P2B-1104	2CKT-DB	Maintained	\$61.52	\$34.35
164P2B-2204	4CKT-DB	Maintained	68.54	38.29
3 POSITION				
164P3B-2204	4CKT-DB	Centre Off	70.60	38.29



ALCO COMMAND SERIES KEYLOCK SWITCHES

Command Series Keylock Switches are 2 & 3-position rotary types with snap-acting double-break contacts. All models have 90° throw. Contacts are silver clad and gold plated to provide reliable operation at logic levels as well as for power switching applications. Contact rating: 0.4VA at 20VDC or peak AC; 5A at 250VAC or 24VDC resistive. Dielectric strength: 1500VRMS. Life expectancy: 100,000 operations. Fits 5/8" diameter panel hole. Supplied with two keys.

Cat. No.	Contacts	Action	Net Price Each	
			1-99	100-Up
2 POSITION				
164J2A-1104	2CKT-DB	Maintained, Key Pull Left	\$38.51	\$20.88
164J2A-2204	4CKT-DB	Maintained, Key Pull Left	46.07	25.74
164J2B-1104	2CKT-DB	Maintained, Key Pull Both	94.45	51.21
164J2B-2204	4CKT-DB	Maintained, Key Pull Both	61.52	34.35
164J0A-1104	2CKT-DB	Momentary Right, Key Pull Left	41.95	23.43
3 POSITION				
164J3C-2204	4CKT-DB	Maintained, Key Pull All	70.60	38.29

