

Panduit Terminals & Wiring Kits

MANU
356
CODE



SHORT BARREL
ONE-HOLE LUG—
TYPE LCAS



STANDARD BARREL
ONE-HOLE LUG—
TYPE LCA



LONG BARREL
ONE-HOLE LUG—
TYPE LCB



TWO-HOLE (AND BLANK TONGUE)
LONG BARREL LUG—**TYPE LCC**



TWO-HOLE (AND BLANK TONGUE)
STANDARD BARREL LUG—**TYPE LCD**

FOR INSTALLATION ON COPPER CONDUCTORS



ONE-HOLE LONG BARREL LUG—
TYPE LCBH



TWO-HOLE LONG BARREL LUG—
TYPE LCCH
INCORPORATES CORONA RELIEF CHAMFER



ONE-HOLE LUG FLARED BARREL—
TYPE LCAF



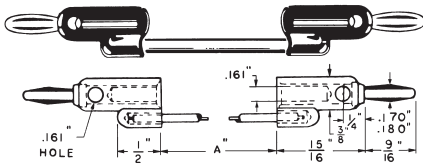
TWO-HOLE LUG FLARED BARREL—
TYPE LCFF
FOR USE WITH FLEXIBLE COPPER CABLES

COMPRESSION AND MECHANICAL CONNECTORS

Conductor Size	Type				
	LCAS	LCA	LCB	LCC	LCD
#8 AWG	LCAS8-10-L LCAS8-14-L LCAS8-56-L LCAS8-38-L	LCA8-10-L LCA8-14-L LCA8-56-L LCA8-38-L	LCB8-10-L LCB8-14-L	LCC8-10A-L LCC8-14A-L LCC8-14B-L LCC8-14D-L LCC8-38D-L	LCD8-10A-L LCD8-14A-L LCD8-14B-L LCD8-14D-L LCD8-38D-L
#6 AWG	LCAS6-10-L LCAS6-14-L LCAS6-56-L LCAS6-38-L	LCA6-10-L LCA6-14-L LCA6-56-L LCA6-38-L	LCB6-10-L LCB6-14-L LCB6-38-L	LCC6-10A-L LCC6-14A-L LCC6-14B-L LCC6-14D-L LCC6-38D-L LCC6-12-L	LCD6-10A-L LCD6-14A-L LCD6-14B-L LCD6-14D-L LCD6-56D-L LCD6-38D-L
#4 AWG	LCAS4-10-L LCAS4-14-L LCAS4-56-L LCAS4-38-L	LCA4-10-L LCA4-14-L LCA4-56-L LCA4-38-L	LCB4-10-L LCB4-14-L	LCC4-14A-L LCC4-14B-L LCC4-38D-L LCC4-12-L	LCD4-14A-L LCD4-14B-L LCD4-14D-L LCD4-38D-L
#2 AWG	LCAS2-14-Q LCAS2-56-Q LCAS2-38-Q LCAS2-12-Q	LCA2-14-Q LCA2-56-Q LCA2-38-Q LCA2-12-Q	LCB2-10-L LCB2-56-Q	LCC2-14A-Q LCC2-14B-Q LCC2-56B-Q LCC2-56C-Q LCC2-38-Q LCC2-38D-Q LCC2-12-Q	LCD2-14A-Q LCD2-14B-Q LCD2-14D-Q LCD2-56B-Q LCD2-38D-Q LCD2-12-Q
#1 AWG	LCAS1-14-E LCAS1-56-E LCAS1-38-E LCAS1-12-E	LCA1-14-E LCA1-56-E LCA1-38-E LCA1-12-E	LCB1-10-E LCB1-56-E	LCC1-14A-E LCC1-14B-E LCC1-56B-E LCC1-56C-E LCC1-38D-E LCC1-12-E	LCD1-14A-E LCD1-14B-E LCD1-56C-E LCD1-38D-E LCD1-12-E
#1/0 AWG	LCAS1/0-14-X LCAS1/0-56-X LCAS1/0-38-X LCAS1/0-12-X	LCA1/0-14-X LCA1/0-56-X LCA1/0-38-X LCA1/0-12-X	LCB1/0-10-X LCB1/0-56-X LCB1/0-38-X LCB1/0-12-X	LCC1/0-14A-X LCC1/0-14B-X LCC1/0-56C-X LCC1/0-56D-X LCC1/0-38D-X LCC1/0-12D-X LCC1/0-12-X	LCD1/0-14A-X LCD1/0-14B-X LCD1/0-56C-X LCD1/0-38D-X LCD1/0-12-X
#2/0 AWG	LCAS2/0-14-X LCAS2/0-56-X LCAS2/0-38-X LCAS2/0-12-X	LCA2/0-14-X LCA2/0-56-X LCA2/0-38-X LCA2/0-12-X	LCB2/0-38-X LCB2/0-12-X	LCC2/0-14A-X LCC2/0-14B-X LCC2/0-56D-X LCC2/0-38DX LCC2/0-12D-X LCC2/0-12-X	LCD2/0-14A-X LCD2/0-14B-X LCD2/0-56C-X LCD2/0-38D-X LCD2/0-12-X
#3/0 AWG	LCAS3/0-14-X LCAS3/0-56-X LCAS3/0-38-X LCAS3/0-12-X	LCA3/0-14-X LCA3/0-56-X LCA3/0-38-X LCA3/0-12-X	LCB3/0-38-X LCB3/0-12-X	LCC3/0-14B-X LCC3/0-56D-X LCC3/0-38D-X LCC3/0-12-X LCC3/0-12D-X	LCD3/0-14B-X LCD3/0-56C-X LCD3/0-38D-X LCD3/0-12-X
#4/0 AWG	LCAS4/0-14-X LCAS4/0-56-X LCAS4/0-38-X LCAS4/0-12-X	LCA4/0-14-X LCA4/0-56-X LCA4/0-38-X LCA4/0-12-X	LCB4/0-38-X LCB4/0-12-X	LCC4/0-14A-X LCC4/0-14B-X LCC4/0-56D-X LCC4/0-38-X LCC4/0-38D-X LCC4/0-12-X LCC4/0-12D-X	LCD4/0-14B-X LCD4/0-38D-X LCD4/0-12-X
250 MCM	LCAS250-14-X LCAS250-56-X LCAS250-38-X LCAS250-12-X	LCA250-14-X LCA250-56-X LCA250-38-X LCA250-12-X	LCB250-12-X LCB250-78-X	LCC250-56D-X LCC250-38D-X LCC250-12-X LCC250-12D-X	LCD250-38D-X LCD250-12-X
300 MCM		LCA300-56-X LCA300-38-X LCA300-12-X LCA300-58-X LCA300-78-X	LCB300-56-X LCB300-38-X LCB300-12-X LCB300-78-X	LCC300-38D-X LCC300-12-X	LCD300-38D-X LCD300-12-X

NOTE: For more information and pricing contact your Electro Sonic sales representative.

Continued on next page....

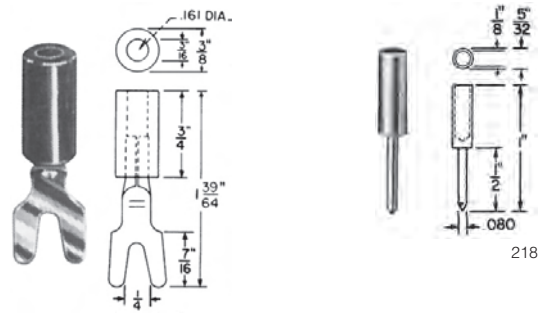


CROSS PATCH BANANA PLUG CORD

HANDLE: Molded Butyrate, per Fed. Spec. L-P349A, Type 3, Class MS. Red, Black, Yellow, Green, Blue, White. **BODY:** Brass, nickel plated. **SPRING:** Four-leaved beryllium copper, nickel plated. **WIRE:** 10 KV PVC flexible wire, 65 strands #36 copper, #18 AWG, insulated to an O.D. of .140". **DESCR.:** Interconnects unlimited number of multiple circuits. Positive, lasting contact for all banana plugs on top and side.

WITH PLUG SPRING 3/16" LONG

Cat. No.	Colour	Length (A)	Net Price
1510-08-102	Red	8"	\$9.42
1510-08-103	Black		9.42
1510-08-104	Green		9.42
1510-12-102	Red	12"	10.08
1510-12-103	Black		10.08
1510-24-102	Red	24"	11.80
1510-24-103	Black		11.80
1510-36-102	Red	36"	12.28
1510-36-103	Black		12.28



INSULATED SPADE LUG

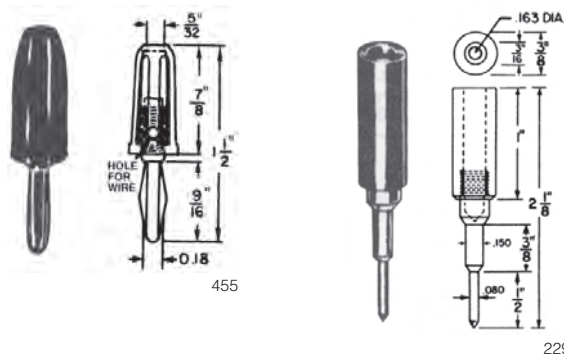
HANDLE: Molded Butyrate per Fed. Spec. L-P349A, Type 3, Class MS. Red and Black. **LUG:** Steel electro .020 thick. **RATING:** 15 Amp AC for 10°C Temp. rise, continuous duty. **DESCR.:** Tapered slot from 1/4" dia. down to #6 dia. Fits all standard binding posts. Accepts standard banana plugs in rear. Solder bridge for wire connection up to No. 18 AWG.

Cat. No.	Colour	Description	Net Price
218-102	Red	Insulated Spade Lug	\$1.41
218-103	Black	Insulated Spade Lug	1.41

SOLDER TYPE PHONE TIP

MATERIAL: Brass, Nickel Plated. **RATING:** 12 Amps AC for 10°C Temp. rise, continuous duty.

Cat. No.	Type	Net Price
108	Standard	\$63



INSULATED BANANA PLUG SOLDERLESS

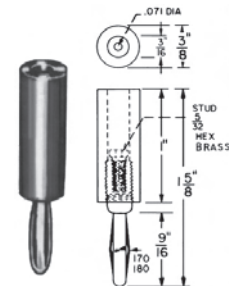
HANDLE: Molded Nylon, per MIL-P-20693A. **COLORS:** Red or Black. **PLUG:** Brass, Nickel-plated. **SPRING:** Phosphor bronze, nickel-plated. **RATING:** 15 Amps AC for 10°C Temp. rise, continuous duty. **DESCR.:** Solderless: Wire fits through handle and body of tip then wrapped around screw portion. Inserts flush to handle, no metal exposed, eliminates possibility of shock or grounding. Fits standard banana jacks.

Cat. No.	Colour	Net Price
455-102	Red	\$3.58
455-103	Black	3.58

INSULATED TIP PLUG HEAVY DUTY TYPE

HANDLE: Molded Nylon, per MIL-P-20693A. Red, Black. **PLUG:** Brass, nickel plated. **RATING:** 12 Amps AC for 10°C Temp. rise, continuous duty. **DESCR.:** Large diameter well enables soldering of heavy duty wire directly into plug. Fits standard phone tip jacks.

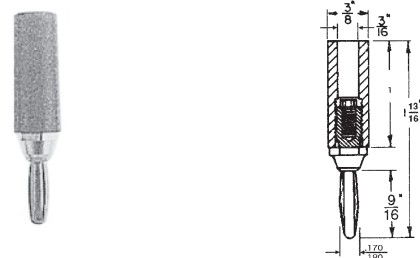
Cat. No.	Colour	Net Price
229-102	Red	\$1.60
229-103	Black	1.60



INSULATED BANANA PLUG

HANDLE: Molded Nylon, per MIL-P-20693A. Red, Black. **PLUG:** brass, nickel-plated. **SPRING:** Four-leaved phosphor bronze, nickel-plated. **RATING:** 15 Amps AC for 10°C Temp. rise, continuous duty. **DESCR.:** Wire can be soldered to brass stud or directly into plug itself. Stud also locks wire to plug for solderless connection. Fits standard banana jacks.

Cat. No.	Colour	Net Price
211-102	Red	\$3.44
211-103	Black	3.44



INSULATED BANANA PLUGS

BODY: Brass, nickel-plated. **SPRING:** Beryllium copper. **RATING:** 15 amps. **HANDLE:** Nylon.

Cat. No.	Colour	Wiring	Net Price
212-102	Red	Stud or Well	\$2.98
212-103	Black	Stud or Well	2.98



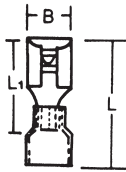
INSULATED SPADE TERMINALS

Cat. No.	Dimensions			Wire Range	Stud Size	Net Price Per 1000
	B	L	L1			
73-132-0	6.4	19.5	15.0	22-18	#4	\$49.58
73-133-0	6.4	19.5	15.0		#6	49.58
73-134-0	7.2	19.5	15.0		#8	49.58
73-135-0	8.0	20.3	15.8		#10	50.58
73-143-0	6.4	19.5	15.0	16-14	#6	56.92
73-144-0	7.2	19.5	15.0		#8	56.92
73-145-0	8.6	20.8	16.3		#10	62.00
73-146-0	12.0	26.0	21.5		1/4"	67.23
73-154-0	9.0	27.2	19.2	12-10	#8	85.00
73-155-0	9.0	27.2	19.2		#10	85.00
73-156-0	11.0	28.0	21.0		1/4"	103.83



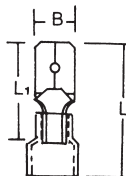
INSULATED FLANGED SPADE TERMINALS

Cat. No.	Dimensions			Wire Range	Stud Size	Net Price Per 1000
	B	L	L1			
73-233-0	9.0	24.0	21.9	22-18	#6	\$50.33
73-234-0	9.0	24.0	21.9		#8	55.00
73-235-0	9.0	24.0	21.9		#10	54.92
73-243-0	9.0	24.0	21.9	16-14	#6	54.92
73-244-0	9.0	24.0	21.9		#8	54.92
73-245-0	9.0	24.0	21.9		#10	54.92
73-255-0	10.0	28.0	20.0	12-10	#10	93.83



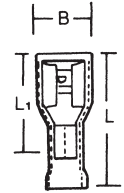
INSULATED QUICK CONNECTS FEMALE

Cat. No.	Dimensions			Wire Range	Tab Size	Net Price Per 1000
	B	L	L1			
73-331-0	3.1	19.5	15.0	22-18	.110"	\$59.17
73-333-0	5.2	19.5	15.0		.187"	62.50
73-336-0	6.8	21.0	16.5		.250"	74.33
73-341-0	3.1	19.5	15.0	16-14	.110"	67.33
73-343-0	5.2	19.5	15.0		.187"	70.83
73-346-0	6.9	21.0	16.5		.250"	76.17
73-356-0	6.9	25.5	17.5	12-10	.250"	113.33



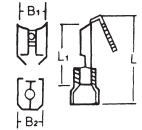
INSULATED QUICK CONNECTS MALE

Cat. No.	Dimensions			Wire Range	Tab Size	Net Price Per 1000
	B	L	L1			
73-431-0	2.8	20.0	15.5	22-18	.110"	\$49.92
73-433-0	4.8	21.0	16.5		.187"	70.83
73-436-0	6.3	21.0	16.5		.250"	69.00
73-441-0	2.8	20.0	15.5	16-14	.110"	50.83
73-443-0	4.8	21.0	16.5		.187"	76.17
73-446-0	6.3	21.0	16.5		.250"	69.17
73-456-0	6.3	21.0	16.5	12-10	.250"	106.17



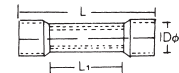
FULLY INSULATED QUICK CONNECTS FEMALE

Cat. No.	Dimensions			Wire Range	Tab Size	Net Price Per 1000
	B	L	L1			
73-334-0	6.2	26.4	15.0	22-18	.187"	\$65.42
73-337-0	6.8	23.5	16.5		.250"	97.33
73-344-0	5.2	21.5	15.0		16-14	.187"
73-347-0	6.8	23.5	16.5	.250"		102.67
73-357-0	6.8	25.0	17.5	12-10		.250"



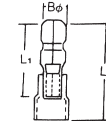
PIGGYBACK QUICK CONNECTS

Cat. No.	Dimensions				Wire Range	Tab Size	Net Price Per 1000
	B1	B2	L	L1			
73-338-0	6.8	6.3	23.5	16	22-18	.250"	\$102.67
73-348-0	6.8	6.3	23.5	16	16-14	.250"	102.67



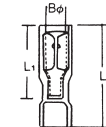
BUTT CONNECTORS

Cat. No.	Dimensions			Wire Range	Net Price Per 1000
	Dø	L	L1		
73-730-0	4.2	25.0	15	22-18	\$57.00
73-740-0	5.1	25.0	15	16-14	63.50
73-750-0	6.5	27.0	15	12-10	99.17



MALE BULLET CONNECTORS

Cat. No.	Dimensions			Wire Range	Size	Net Price Per 1000
	Bø	L	L1			
73-632-0	4.0	21.6	16.3	22-18	.157"	\$63.42
73-642-0	4.0	21.6	16.3	16-14	.157"	67.33
73-644-0	5.0	21.8	16.3		.187"	70.83
73-654-0	5.0	21.8	17.0	12-10	.187"	76.67



FEMALE BULLET CONNECTORS

Cat. No.	Dimensions			Wire Range	Size	Net Price Per 1000
	Bø	L	L1			
73-631-0	4.0	24.0	16.5	22-18	.157"	\$93.83
73-641-0	4.0	24.0	16.5	16-14	.157"	95.67
73-643-0	5.0	24.0	16.5		.187"	97.33
73-653-0	5.0	24.0	16.5	12-10	.187"	161.25