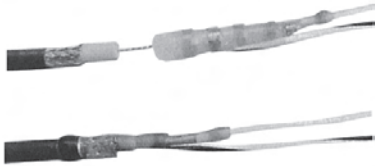


RAYCHEM 382A SERIES, Y TRANSITION BOOT

APPLICATIONS: Provides strain relief and mechanical protection on cable harness assemblies. **MATERIAL:** Black semirigid polyolefin.

Cat. No.	"H" Dia. mm (In.)	"J" & "K" Dia. mm (In.)	Net Price
382A012-3-0	13.2 (.52)	6.6 (.26)	\$23.11
382A023-3-0	26.9 (1.06)	13.2 (.52)	33.07
382A034-3-0	38.6 (1.52)	26.9 (1.06)	54.67

NOTE: For more information please contact your Electro Sonic sales representative.

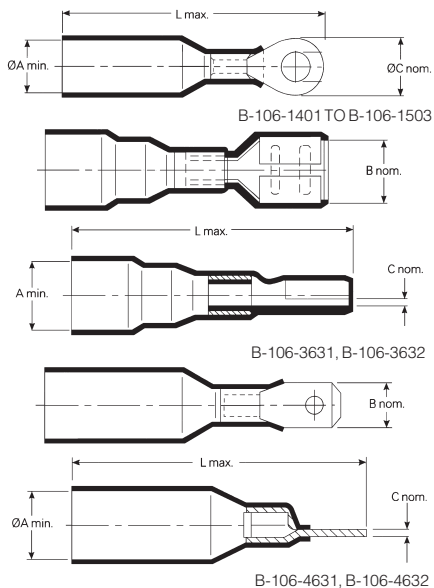


RAYCHEM SOLDERSLLEEVE COAXIAL CABLE TERMINATORS

FEATURES AND BENEFITS: Transparent polyvinylidene fluoride insulation sleeve provides encapsulation, inspectability, strain relief (eliminates centre conductor breakage), and insulation. Prefluxed solder perform provides a controlled soldering process. One piece design provides easy installation and lower installed cost. Preinstalled termination leads provide convenience and ease of installation. Max. operating temperature: 150°C. Lead plating: tin. **APPLICATIONS:** Used for terminating coaxial cable to component terminals, contacts, printed-circuit boards, and solderless wrap terminals.

Cat. No.	Cable Type	AWG Stranded	Length mm (In.)	Net Price Per 100
B-040-20-N	RG179, RG316	20	150 (6)	\$315.75
B-040-22-N	RG179, RG316	22	150 (6)	409.69
B-040-24-N	RG179, RG316	24	150 (6)	409.69
B-044-22-N	RG178, RG404	22	150 (6)	445.60
B-044-24-N	RG178, RG404	24	150 (6)	445.60

NOTE: For more information please contact your Electro Sonic sales representative.



RAYCHEM DURASEAL HEAT-SHRINKABLE ENVIRONMENTALLY SEALED, NYLON INSULATED CRIMP TERMINALS AND DISCONNECTS

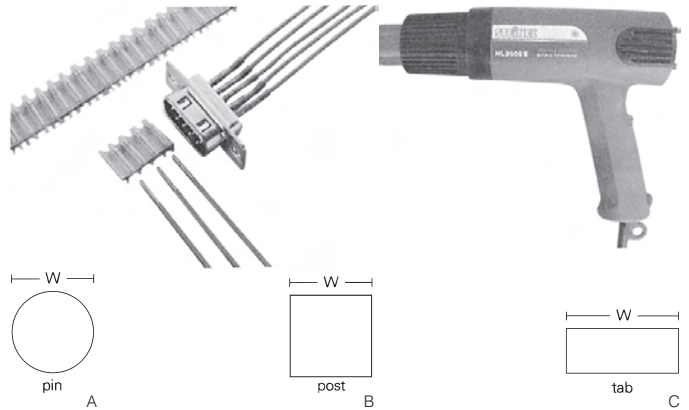
DuraSeal devices provide a tough, environmentally sealed wire connection. Their crimp barrel or terminal, encased in rugged, heat-shrinkable nylon tubing lined with special hot-melt adhesive, resists damage from abrasions and cuts. DuraSeal devices retain flexibility and impact resistance long after similar products have become brittle. DuraSeal devices accommodate wire gauge sizes 22 to 10. They are colour-coded for easy identification of gauge sizes, yet transparent for inspection of the finished splice. Temperature rating: -55°C to +125°C. Minimum shrink temperature: 180°C. Voltage rating: 600 volt max. **FEATURES AND BENEFITS:** Resistance to moisture and abrasion. Strain relief. Protection from wire pull-out. Easy installation. UL and CUL listed. **APPLICATIONS:** DuraSeal products insulate and protect electrical connections from mechanical abuse, wire pull-out, and abrasion while resisting water, salt, and other contaminants.

TERMINAL DIMENSIONS (INCHES)

Cat. No.	A	B	C	L
B-106-1401	.15	—	.31	1.26
B-106-1501	.15	—	.39	1.34
B-106-1402	.18	—	.31	1.30
B-106-1502	.18	—	.39	1.38
B-106-1602	.18	—	.47	1.44
B-106-1403	.25	—	.31	1.50
B-106-1503	.25	—	.39	1.58
B-106-3631	.15	.25	.032	1.20
B-106-3632	.18	.25	.032	1.20
B-106-4631	.15	.25	.032	1.26
B-106-4632	.18	.25	.032	1.26

Cat. No.	Conductor AWG	Stud Size	Colour	Net Price Per 100
B-106-1401	22-18	8	Red	\$30.07
B-106-1501	22-18	10	Red	30.07
B-106-1402	16-14	8	Blue	30.07
B-106-1502	16-14	10	Blue	30.07
B-106-1602	16-14	1/4	Blue	33.27
B-106-1403	12-10	8	Yellow	40.41
B-106-1503	12-10	10	Yellow	40.41

Cat. No.	Conductor AWG	Tab Size	Colour	Net Price Per 100
B-106-3631	22-18	.250 x .032	Red	\$40.41
B-106-3632	16-14	.250 x .032	Blue	40.41
B-106-4631	22-18	.250 x .032	Red	30.07
B-106-4632	16-14	.250 x .032	Blue	30.07



RAYCHEM SOLDERSLLEEVE DISCRETE WIRE TERMINATORS

FEATURES AND BENEFITS: Wire termination to pin/post/tab. Radiation-crosslinked, heat-shrinkable polyolefin insulation sleeve provides encapsulation, inspectability, strain relief, and insulation. Prefluxed solder perform offers a controlled soldering process. One-piece design means easy installation and low installed cost. UL and CUL recognized. Operating temperature: -55°C to +125°C. Insulation resistance: 1000 megohms. **APPLICATIONS:** Used for terminating wires to component terminals, such as motor tabs, connector pins, and switch terminals.

Continued on next page...

CONNECTION POINT TYPE AND SIZE

Cat. No.	Fig.	Terminal Dim. mm (In.)	Wire AWG (mm)
CWT-1501	A	W = up to 0.63 (.025)	24 (0.24)
CWT-1502			20 (0.61)
CWT-1501		W = 0.63 (0.25) to 0.89 (.035)	24 (0.24)
CWT-1502			22 (0.38)
CWT-1503	B	W = 0.89 (0.35) to 1.14 (0.45)	20 (0.61)
CWT-1502			24-22 (0.24-0.38)
CWT-1503		W = 1.14 (.045) to 1.52 (.060)	20-18 (0.61-0.95)
CWT-1504			24-22 (0.24-0.38)
CWT-1501	C	W = up to 1.52 (.060)	24-20 (0.24-0.61)
CWT-1502			24-18 (0.24-0.95)
CWT-1503		W = 1.77 (.070) to 2.79 (.110)	24-20 (0.24-0.61)
CWT-1504			24-18 (0.24-0.95)

Cat. No.	Net Price Per 100
CWT-1501	\$15.80
CWT-1502	16.57
CWT-1503	17.57
CWT-1504	18.36

HEATING TOOL AND TIPS FOR CWT-1500 SERIES ABOVE

Cat. No.	Description	Net Price
HL1802E	Heating tool	\$288.23
832011-000	Soldersleeve reflector	60.05
022611-000	Tubing reflector	63.90
930321-000	9mm dia. reduction nozzle	88.34

NOTE: For more information please contact your Electro Sonic sales representative.



RAYCHEM SOLDERSLLEEVE PCB/COAXIAL CABLE TERMINATORS

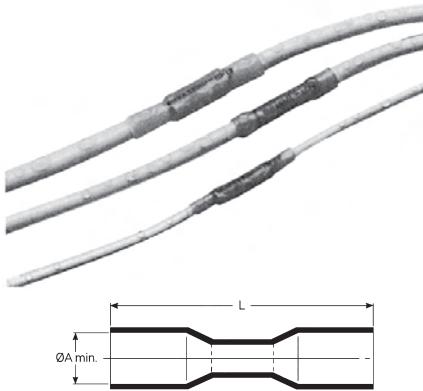
FEATURES AND BENEFITS: Provides a completely shielded, low-resistance, matched-impedance termination with very low VSWR. Transparent polyvinylidene fluoride insulation sleeve provides encapsulation, inspectability, strain relief, and insulation. Prefluxed solder preform provides a controlled soldering process. One-piece design offers easy installation and lower installed cost. Pre-installed PCB termination body provides convenience and ease of installation. Terminating body pin: copper alloy, solder-plated. Dielectric strength: 2.0kV. Insulation resistance: 1000 megohms. Temperature rating: -55°C to +150°C. **APPLICATIONS:** Used for terminating coaxial cable to printed circuit boards. Typical application performance: matched impedance up to 2.3 GHz.

Cat. No.	Cable Type	Max. Outside Cable Dia. (mm/In.)		Net Price Per 100
		Jacket	Shield	
STRAIGHT PINS				
D-607-09	RG174, RG178, RG179, RG316, RG404	1.5-3.55 (.060-.140)	1.1-3.15 (.045-.125)	\$444.88
RIGHT ANGLE PINS				
D-607-10	RG174, RG178, RG179, RG316, RG404	1.5-3.55 (.060-.140)	1.1-3.15 (.045-.125)	444.88

HEATING TOOL AND TIPS FOR D-607-09 AND D-607-10 ABOVE

Cat. No.	Description	Net Price
HL1802E	General purpose heating tool	\$288.23
832011-000	Soldersleeve reflector	60.05
022611-000	Tubing reflector	63.90
930321-000	9mm dia. reduction nozzle	88.34

NOTE: For more information please contact your Electro Sonic sales representative.





RAYCHEM DURASEAL HEAT-SHRINKABLE, ENVIRONMENTALLY SEALED, NYLON-INSULATED WIRE-TO-WIRE CRIMP SPLICES

FEATURES AND BENEFITS: Protects splices from water, condensation, salt, and corrosion. Provides strain relief. Protects against vibration in rugged environments. Completely insulates and protects electrical connections. Has adhesive lining for protection that is more reliable than conventional splices. UL, CUL, and Lloyd's listed. Operating temperature: -55°C to +125°C. Shrink ratio: Approx. 2:1. Insulation resistance: 1000 megohms at 100Vdc. UL, CUL, and Lloyd's listed. **APPLICATIONS:** Automotive/truck wiring repair and maintenance. Automotive accessory installations. OEM automotive/truck/RV wire harness fabrication. Marine electronics. Fleet maintenance. Commercial wiring (pumps/pools/spas).

Cat. No.	Dim. (In.)		Conductor AWG	Colour	Net Price Per 100
	A	L			
D-406-0001	.145	1.25	22-18	Red	\$26.87
D-406-0002	.180	1.25	16-14	Blue	26.87
D-406-0003	.250	1.50	12-10	Yellow	36.09

NOTE: For more information please contact your Electro Sonic sales representative.



Part's indicated with a leaf  are considered RoHS July 2006 compliant based on the manufacturer's confirmation at the time of publishing. For additional information please contact Electro Sonic.