

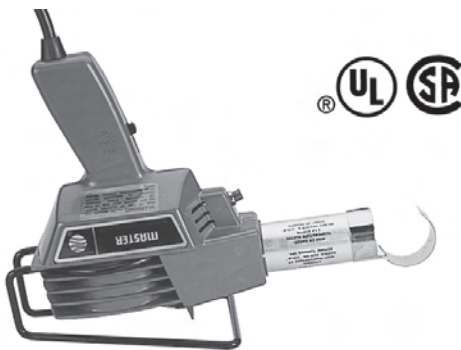




## ECOHEAT™ EC-100 HEAT GUN AND KIT

The durable, flameless EC-100 Ecoheat™ heat gun is ergonomically designed, lightweight and easy to use with temperature settings of 500°F (260°C) and 1,000°F (538°C). A built-in hand guard protects hands and fingers while a recessed switch guards against knocks and bumps. The EC-100 heat gun is UL and CUL certified and has a built-in stand for hands-free use in an upright position. The EC-100K heat gun kit includes Master's EC-100 Ecoheat™ heat gun, four specialized attachments and product manual packed in a rugged and convenient, plastic storage and carrying case. The specialized nozzles include a 7/8" air reducer, 1" heat shrink attachment, 1-15/16" and 3-1/8" spreader attachments.

Cat. No.	Description	Net Price
EC-100	Ecoheat™ heat gun	\$49.43
EC-100K	Heat gun kit with carrying case and attachments	65.52



## MASTER-MITE AND MASTER-MITE HEAT GUNS HEAT GUN

The Master-Mite is a lightweight complete continuous duty bench-top heating system, equipped to perform jobs without the excess air flow. It comes standard with an adjustable stand and a heat shrink attachment. The air flow rating is 3.8 CFM 700 FPM. The adjustable stand allows the operator to work with both hands free. High impact plastic housing or ESD plastic housing, whisper quiet motor. ESD model has a conductive housing that will not build up or hold a static charge. Helps to shield against electromagnetic and radio frequency interference. Colour-coded elements snap-in and take only seconds to change. Seven foot cord. Size: 8 7/8" long x 7" high.

Cat. No.	Description	Net Price
10008	Heat gun comes complete with 475 watt, 800°F heating element, adjustable stand, and heat shrink attachment.	\$99.18
10012	ESD heat gun comes complete with 525 watt, 650°F heating element, adjustable stand, and heat shrink attachment.	159.59

### COLOUR CODED HEATING ELEMENTS

20012	Blue, 340 watt, 500°F	30.88
20013	Silver, 475 watt, 650°F	30.88
20014	Black, 525 watt, 800°F	30.88

### ADAPTERS

40060	Heat shrink attachment	7.00
40061	¼" Pinpoint Adapter	16.67



## MASTER FLAMELESS HEAT BLOWERS

Where a heat gun is a hand tool designed for portability, a Master Hot Air Blower is designed for continuous, production line use. Rugged construction features a heavy-duty induction-type motor, a big 2" diameter nozzle and a three way switch for hot or unheated air. All models feature convenient handle and an adjustable base for 90° position flexibility.

Cat. No.	Temperature °F	Power in		Avg. Air Velocity/FPM	Net Price
		Amps	Watts		
AH-301	300	10	1200	1200	\$239.21
AH-501	500	14	1680	1200	248.65
AH-751*	750	18	2160	1130	239.21

**NOTE:** AH-751 AC plug is 20 amps, 2 pole, 3-wire grounded type with turned prong; see picture. All models are 120 VAC; 230V models available upon request.

## REPLACEMENT PARTS FOR BLOWERS

Cat. No.	Description	For Cat. No.	Volts	Net Price
815	Heating Element Only	AH301	115	\$24.96
30310	Heating Element Only	AH501	115	33.24
30312	Heating Element Only	AH751	115	33.24



MT-51



MT-51H



MT-11



MT-76K

## MASTER MICROTORCHES

Completely portable, these torches are great for heating, light brazing, soldering, desoldering, and heat shrinking. All have a built-in safety lock, adjustable flame, refillable fuel tank, and water-resistant self-ignition system. Torches maintain a wind-resistant, sharp blue flame at temperature up to 2500°F (1300°C).

**MT-51**—A wide, stable base allows hands-free as well as hand-held use. Has an internal fuel tank and hands-free levers. Runs up to two hours on full tank of Master Ultratane butane fuel (sold separately).

**MT-51H**—Microtorch, table-top unit includes heat tip and 1" dia. shrink attach-

Continued on next page....

## MASTER MICROTORCHES

Completely portable, these torches are great for heating, light brazing, soldering, desoldering, and heat shrinking. All have a built-in safety lock, adjustable flame, refillable fuel tank, and water-resistant self-ignition system. Torches maintain a wind-resistant, sharp blue flame at temperature up to 2500°F (1300°C).

**MT-51**—A wide, stable base allows hands-free as well as hand-held use. Has an internal fuel tank and hands-free levers. Runs up to two hours on full tank of Master Ultratane butane fuel (sold separately).

**MT-51H**—Microtorch, table-top unit includes heat tip and 1" dia. shrink attachment for flameless heat shrink applications.

**MT-11**—The palm size makes it perfect for your tool kit. Has a fuel level viewing window and a refillable fuel cell (includes fuel). Run time is 2 minutes on full tank

Cat. No.	Description	Net Price
<b>MT-51</b>	Microtorch, table top	<b>\$33.44</b>
<b>MT-51H</b>	Microtorch, table top includes heat tip and 1" dia, shrink attachment	<b>51.17</b>
<b>MT-11</b>	Microtorch, palm-size	<b>23.85</b>
<b>MT-76K</b>	Triggertorch kit	<b>85.30</b>



## MASTER ULTRATANE BUTANE

Master Ultratane™ butane is the only approved butane recommended to fuel all Master butane powered heat tools. Its triple refined, "non-clogging" formula prevents clogging of internal filters. Each canister comes with a convenient single piece universal filler cap. Ozone safe, contains no CFS's.

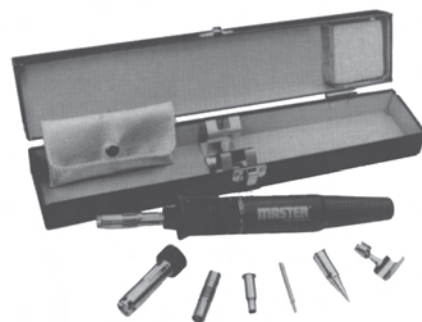
Cat. No.	Description	Net Price
<b>51773</b>	5-1/8 oz. (145 gram) canister	<b>\$4.50</b>
<b>10448</b>	15/26 oz. (26 gram) canister	<b>3.93</b>
<b>RC-31</b>	Refillable butane fuel cell. Two per card.	<b>4.73</b>



## MASTER UT-100Si SLEF-IGNITING ULTRATORCH

The UT100Si is a dual function, self-igniting soldering iron and heat tool. Average run time is 2 hours on full tank of Master Ultratane butane fuel. Comes standard with solder tip, heat tip, open end wrench, spanner wrench, heat shrink attachment and a protective cap.

Cat. No.	Description	Net Price
<b>UT-100Si</b>	Ultratorch self-igniting	<b>\$149.52</b>
<b>70-01-01</b>	1mm tapered needle soldering tip	<b>17.23</b>
<b>70-01-02</b>	Standard 3.3mm dia. chisel soldering tip	<b>17.23</b>
<b>70-01-52</b>	Standard heat tips	<b>17.23</b>



## MASTER UT-100 ULTRATORCH

Compact, yet high-performance butane powered heat tool. The standard ultratorch comes complete with one ejector for soldering and heat tip applications. Also included is a heat shrink attachment, a tool holder, a solder sponge, a spanner wrench and a metal carrying case. Easily refilled with standard butane gas containers.

Cat. No.	Description	Net Price
<b>UT-100</b>	Ultratorch, standard	<b>\$148.84</b>



## MASTER UT-40Si AND UT-40SiH ULTRATORCH

Compact size, lightweight and completely portable, features a rugged, easy-to-hold body plastic and convenient slide switch for quick ignition. UT-40Si includes solder tip and heat tip. UT-40SiH included head tip and heat shrink attachment. Both units come standard with a protective cap.

Cat. No.	Description	Net Price
<b>UT-40Si</b>	Ultratorch, economy model	<b>\$45.97</b>
<b>UT-40SiH</b>	Ultratorch, economy model, includes heat tip and heat shrink attachment	<b>46.67</b>



## MASTER UT-50 PEN SIZED ULTRATORCH

This convenient, pen-sized heat tool fits in your shirt pocket for absolute portability. No outlets required. Average run time is 20 minutes on full tank of Master Ultratane butane fuel.

Cat. No.	Description	Net Price
<b>UT-100si</b>	Ultratorch, mini-sized	<b>\$149.52</b>
<b>71-01-01</b>	1mm dia. tapered needle soldering tip	<b>15.96</b>
<b>71-01-02</b>	Standard 2.4mm dia. chisel soldering tip	<b>15.96</b>
<b>71-01-52</b>	Standard heat tips	<b>18.14</b>



## WELLER "MARKSMAN" SOLDERING PENCILS AND KITS

A complete featherweight soldering iron with removable tip. Long reach stainless steel barrel. Thin nickel plated copper tip. Develops 750°F tip temperature. For all general purpose soldering. 25 watts.

Cat. No.	Description	Net Price
SP23LCSA	Marksman soldering pencil	\$12.99
SP23LKCSA	Complete kit with soldering pencil, tip, iron rest, 60/40 rosin core solder and instructions.	26.19
SP40LCSA	Heavy duty pencil type, 40 watt soldering iron, with 1/4" tip.	27.99
SPG80LCSA	Same as SP80, but comes with 3/8" and 1/4" tip.	44.81



## WELLER MEDIUM AND HEAVY DUTY IRONS

Cat. No.	Description	Net Price
SP1203CSA	Medium duty soldering iron, 120 watt. Double insulated. 1/2" plated copper tip, and iron rest.	\$64.47
SP1753CSA	Heavy duty soldering iron, 175 watt. 3/8" plated copper tip, and iron rest. Double insulated.	78.59



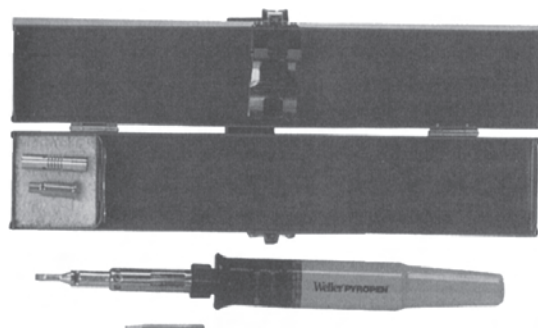
## WELLER PROFESSIONAL SOLDERING IRONS

These high quality professional soldering irons, utilize superior grade Wellercote tips of pure copper and an exclusive double protective coating. Ideal for wide variety of electronic tasks.

Cat. No.	Description	Net Price
WP25	25 watt tool with 1/16" point tip and iron rest	\$40.99
WP35	35 watt tool with 1/8" point tip and iron rest	50.99

## REPLACEMENT PARTS FOR MODELS W60P-3, W100P-3, WP25P, WP40P, WP25-3 AND WP35-3

Cat. No.	Description	Net Price
HE25	Heating element for WP25-3	\$26.54
HE35	Heating element for WP35-3	35.15
HEW60P	Heating element, with barrel and flange, for W60P-3	45.36
HEW100P	Heating element, with barrel and flange, for W100P-3	53.18
KN60A	Knurled tip nut use only with CT5 series tips, for W60P-3 1/4" hole.	4.04
KN100A	Knurled tip nut use only with CT6 series tips, for W100P-3 1/4" hole	4.04
KN60	Tip nut for WP25P, WP25P-3, WP40P, WP40P-3, WP25-3 and WP35-3	4.04
SW60	Switch assembly, for W60P and W100P	37.67



## WELLER WSTA3 CORDLESS PYROPEN

Lightweight/completely portable. Runs on LP gas for three hours of operation (refill with butane lighter gas). Ready to solder in 30 seconds. Temperature control 392°F-932°F/200°C-500°C. 14 tip combinations available. Inactive hot air nozzles for low temperature heat.

Cat. No.	Net Price
WSTA3	\$149.97

## REPLACEMENT TIPS FOR WSTA-3 AND WPA-2

Cat. No.	Size	Description	Net Price
WPT1	3/64"	Tapered Needle	\$18.83
WPT2	1/8"	Chisel	18.83
WPT5	1/64"	Tapered Needle	18.83
WPT8	3/64"	Spade	18.83
WPT11	3/16"	High Powered Chisel	22.46
WPT13	7/32"	High Powered Long Tapered Chisel	22.67
WHC51	3/16"	Hot Air Tip	18.83
WHC52	7/32"	Hot Air Tip	18.83

## REPLACEMENT PARTS FOR PYROPEN

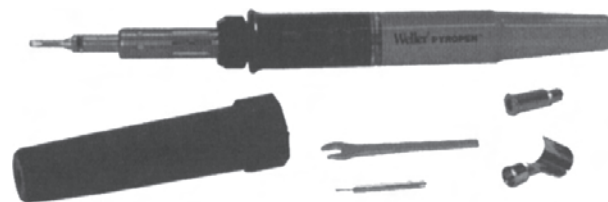
Cat. No.	Description	Net Price
WP70S	Soldering Ejector	\$25.67
WP71T	Torch Ejector	25.67



## WELLER WST-2 CORDLESS PYROPEN JR.

Lightweight/portable—carry it in your pocket. Mini iron soldering everywhere with temperature control. Dual function soldering iron and brazing torch. Longlife tips last 10 times longer than conventional tips. Refill with butane lighter gas.

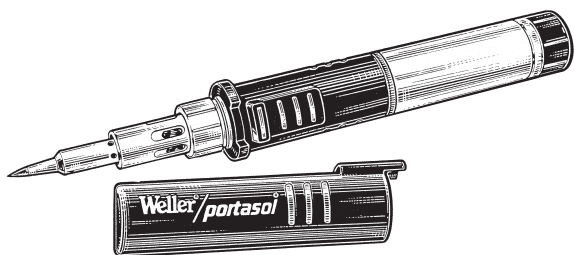
Cat. No.	Net Price
WST2	\$133.91



## WELLER WPA2 SELF-IGNITING PYROPEN

Lightweight/completely portable. Runs on LP gas for three hours of operation (refill with butane lighter gas). Press self-igniting button and iron is ready to solder in 30 seconds—no need for matches or sparklighter. Temperature control 482°F-932°F/250°C-500°C. 14 tip combination available. Inactive hot air nozzles for low temperature heat. Wide variety of applications in workshop, for repairs and hobbies.

Cat. No.	Net Price
WPA2	\$129.99



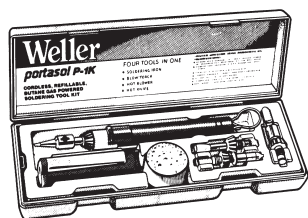
## WELLER PSI-100 PORTASOL CORDLESS PROFESSIONAL SOLDERING TOOL ALLOWS ANTI-STATIC SOLDERING

The Weller/Portasol Professional is a very high quality, yet affordable self-igniting soldering tool. **FEATURES:** Runs for up to two hours on a single butane refill. Self-igniting. Solders, heat shrinks, cuts nylon rope. Temperature adjustable up to 1,076° F. Rugged stainless steel body. Uses standard butane fuel. Auto Safety Switch. Anti-Static. Ten professional quality, iron plated tips available.

Cat. No.	Description	Net Price
PSI100C	Cordless Soldering Tool	\$84.00
PSI100K	Same as above only in a kit. Contains: PSI-100 Soldering Tool, PSI 6 (24mm) Double Flat Tip, PSI9 Hot Blower, PSI 8 (4.8mm) Double Flat Tip, PSI10 Hot Knife, Cleaning Sponge and Rugged Storage Case.	98.25

### TIPS FOR PSI-100 PORTASOL CORDLESS SOLDERING IRON

Cat. No.	Description	Net Price
PSI1	1/32" single flat tip	\$14.40
PSI2	3/32" single flat tip	14.40
PSI3	1/8" single flat tip	14.40
PSI4	3/16" single flat tip	14.40
PSI5	1/32" single flat tip	14.40
PSI6	3/23" double flat tip	14.40
PSI7	1/8" double flat tip	14.40
PSI8	3/16" double flat tip	14.40
PSI9	Hot blow tip	14.40
PSI10	Hot knife tip	14.40



## WELLER P2C PORTASOL CORDLESS SOLDERING TOOL

Adjustable temperature control (equivalent to 10-60 watts) melts solder in less than 40 seconds. Up to 90 minute continuous use fuel capacity (refill with butane lighter gas). Safety cut-off switch when cap is replaced. Patented catalytic converter that provides powerful safe flameless combustion. Fast, flint sparked ignition in cap. Kit contains 1 each: Portasol iron; 3/32" iron plated soldering tip; cleaning sponge; blow torch, hot blower and hot knife accessories all stored in rugged plastic case.

Cat. No.	Description	Net Price
P2C	Portasol Cordless Soldering Tool.	\$48.24
P2KC	Same great Portasol Soldering Tool, only in a Kit. Contains: Portasol Soldering Tool with iron plated 2.4mm Tip, Hot Knife Tip, Blow Torch, Hot Blower, Cleaning Sponge, Safety Stand and Rugged Plastic Case.	74.97

### REPLACEMENT TIPS FOR PORTASOL

Cat. No.	Size	Description	Net Price
T1	1/32"	Micro Spade	\$14.09
T2	3/32"	Spade	14.09
T3	1/8"	Spade	14.09
T4	3/16"	Spade	14.09
T5	—	Blow Torch	14.09
T6	—	Hot Blower	14.09
T7	—	Hot Knife	14.09



### REPLACEMENT TIPS FOR EC1201A IRONS

Cat. No.	Point Size	Description	Net Price
ETA	1/16"	Screwdriver	\$5.67
ETB	3/32"	Screwdriver	5.67
ETC	1/8"	Screwdriver	5.67
ETD	3/16"	Screwdriver	5.67
ETH	1/32"	Screwdriver	5.67
ETP	1/32"	Conical	5.67
ETCC	1/8"	Single Flat	5.67
ETDD	3/16"	Single Flat	5.67
ETO	1/32"	Long Conical	5.67
ETS	1/64"	Long Conical	5.67
ETK	3/64"	Long Screwdriver	5.67
ETL	3/64"	Long Screwdriver	5.67
ETM	1/8"	Long Screwdriver	5.67
ETR	1/16"	Narrow Screwdriver	5.67



### REPLACEMENT TIPS FOR EC1302A IRONS

Cat. No.	Point Size	Description	Net Price
EPH101	1/64"	Micropoint	\$5.83
EPH110	1/64"	Micropoint	5.83
EPH102	1/32"	Bent Conical	5.83
EPH109	1/32"	Conical	5.83
EPH107	3/64"	Screwdriver	5.83
EPH106	1/16"	Screwdriver	5.83
EPH103	1/32"	Single Flat	5.83
EPH105	3/64"	Single Flat	5.83



### REPLACEMENT TIPS FOR EC1503A IRONS

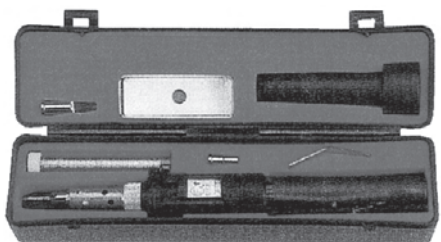
Cat. No.	Point Size	Description	Net Price
EMA	1/16"	Chisel	\$14.33
EMH	1/32"	Chisel	14.33



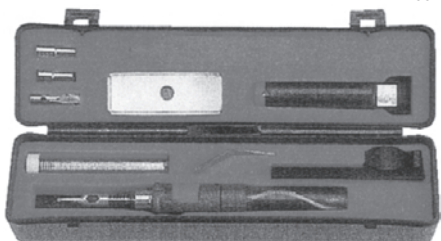
## EDSYN 952 LONER DUAL SOLDERING STATION

The most logical extension of the 951. A compact, powerful, and convenient Dual Soldering Station. Both of the Soldering Tools are independently controlled by their own separate control circuits. The left side is set up for light to moderate duty soldering while the right side is set for moderate to heavy duty soldering. Both tools are ready to use at all times and, like the 951, the 952 is also expandable to 3 Soldering Tools for complete flexibility. This unit meets all Military and government standards set for soldering equipment and its safe for static sensitive components. Comes with tip cleaning sponge. Temperature regulation indicator. Temperature range: 205°C to 427°C. Power requirements: 120V, 60Hz. Watts: 70 per tool

Cat. No.	Net Price
952SX	\$414.29



EB200K



EB100K

## EDSYN BUTANE SOLDERING TOOLS

**EB100 FEATURES:** Gas fill lasts up to 60 minutes. BT2-2.4mm chisel tip included. Safety cap with flint ignitor and shut-off feature. Temperature range 400°C-1200°C. EB100K Kit also includes: BT3-4.8mm chisel tip. Hot air, blow-torch and hot knife tips. Stand and wetting sponge. Tube of solder. Aluminum tray and cleaning sponge.

**EB200 FEATURES:** Piezoelectric ignition. Adjustable heat output equivalent of 20 to 135 Watts. Gas fill lasts up to 180 minutes. BP2-2.4mm chisel tip and BP12-10mm hot blow tip. Temperature range 400°C-1200°C. Comes with tool stand, wetting sponge and safety cap with shut-off feature. EB200K Kit also includes: BP10-5mm hot blow tip. BP9-hot knife kit. Hot air tip. Tube of solder. Aluminum tray and cleaning sponge.

Cat. No.	Net Price
EB100	\$39.29
EB100K	67.14
EB200	90.00
EB200K	90.00

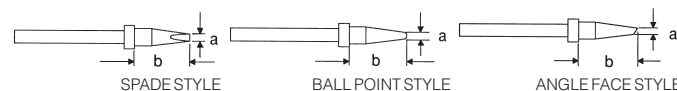
NOTE: Both models are re-fillable with translucent gas tank.



## EDSYN ZD500DX HOT TIP DESOLDERING STATION

One of the only Desoldering Stations that meet the military specifications for Soldering equipment. Temperature controlled and static-safe, this self-contained desoldering station is designed for both through-hole as well as surface-mount applications. The ZD500DX features a strong (22 hg), continuous vacuum source along with superior heat transfer capabilities. This provides excellent desoldering performances on the most difficult desoldering tasks. The pistol shaped handle assembly has the flexibility to adapt to almost any position for operator comfort. A main feature of the ZD500DX is the ease of maintenance and tip changing. All maintenance can be done within a few seconds while the tool is hot or cold. It is also expandable for complete flexibility. This unit meets all Military and government standards. Comes with tip cleaning sponge. Temperature regulation indicator. Temperature range: 205°C to 427°C. Power requirements: 120V, 60Hz. Watts: 150.

Cat. No.	Net Price
ZD500DX	\$978.57



## LONER SOLDERING TIPS

Cat. No.	Description	Dim. A		Dim. B		Net Price
		In.	mm	In.	mm	
<b>SPADE STYLE</b>						
LT444	SMD Mid-Length Fine	3/64	1.0	25/32	19.8	\$7.14
LT375	Standard	1/16	1.5	31/64	12.2	7.14
LT424	Mid-Length Angle	1/16	1.5	3/4	18.8	12.00
LT431	Mid-Length	5/64	1.8	3/4	18.8	7.14
LT394	Extra-Long	5/64	1.8	19/16	23.6	7.14
LT395	Mid-Length Stubby	3/32	2.3	3/4	18.8	7.14
LT376	Short Stubby	1/8	3.0	31/64	12.2	7.14
<b>BALL POINT STYLE</b>						
LT380	Short Cone	1/64	0.5	5/16	8.0	12.00
LT382	Long Cone	1/64	0.5	5/8	15.6	7.14
LT383	Thin Mid-Length Needle Point	1/64	0.5	25/32	18.3	7.14
LT429	Mid-Length Needle Point	1/64	0.5	3/4	18.8	12.00
LT392	Extra-Long Needle Point	1/64	0.5	19/64	28.8	7.14
LT374	Standard Probe	1/32	0.8	31/64	12.2	7.14
LT446	SMD Probe	1/32	0.8	31/64	12.2	9.29
LT439	Thin SMD Probe	1/32	0.8	1/2	12.7	12.00
LT442	SMD Mid-Length Probe	3/64	1.0	3/4	18.8	12.00
<b>ANGLE FACE STYLE</b>						
LT445	SMD	1/32	0.8	31/64	12.2	12.00
LT387	Standard	1/16	1.5	31/64	12.2	12.00
LT430	Mid-Length	1/16	1.5	3/4	18.8	12.00
LT393	Extra-Long	1/16	1.5	19/16	23.8	12.00