

**NOTE:** All units are in millimeters unless otherwise indicated.

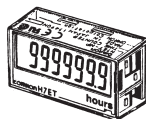
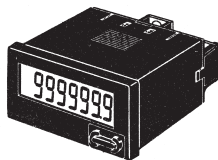
## H7EC-N MINIATURE TOTALISING COUNTER

### FEATURES:

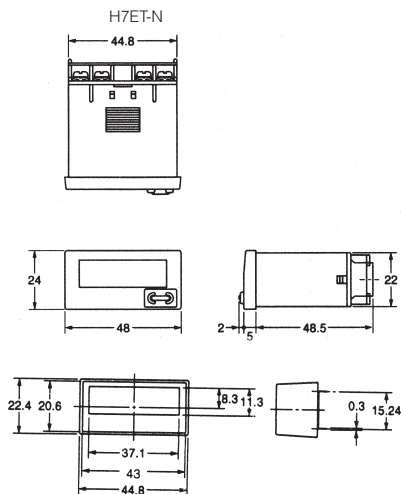
- Sub-miniature (1/32 DIN size) 48 x 24mm
- Choose black or ivory body (front panel mounting models only)
- Large, 8-digit LCD (8.6mm digit height)
- AC, DC and No-voltage input types available
- Panel mount type has user-replaceable lithium cell
- Optional 28-pin socket for PCB mount type
- Backlight function on "-H" models (use separate 24VDC power)
- Front panel "Reset" key may be disabled

Cat. No.	Reset	Count Speed	Count Input	Net Price
<b>PANEL MOUNT, SELF-POWERED</b>				
H7EC-N	Electrical/Manual	30Hz/1kHz	No-voltage	<b>\$82.00</b>
H7EC-NV	Electrical/Manual	30Hz/1kHz	DC-voltage	<b>82.00</b>
H7EC-NV-H	Electrical/Manual	30Hz/1kHz	DC-voltage	<b>88.00</b>
H7EC-NFV	Electrical/Manual	20Hz	AC/DC voltage	<b>102.00</b>
<b>PCB MOUNT</b>				
H7EC-NP	Electrical	30Hz/1kHz	No-voltage	<b>57.00</b>
H7EC-NLP	Electrical	30Hz/1kHz	No-voltage	<b>57.00</b>

**NOTE:** For black body model, please add "-B" to the end of the Cat. No. (Panel Mount models only).



FLUSH MOUNTING  
H7ET-NP



**NOTE:** All units are in millimeters unless otherwise indicated.

## H7ET-N MINIATURE TIME TOTALISER

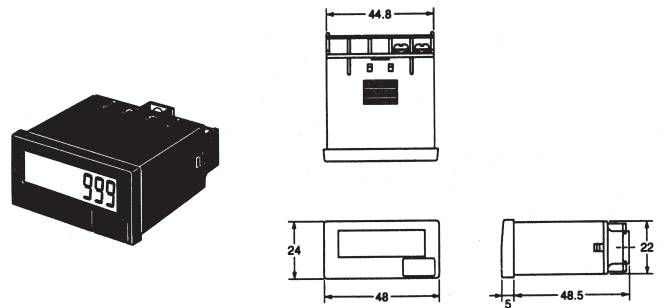
### FEATURES:

- Sub-miniature (1/32 DIN size) 48 x 24mm
- Choose black or ivory body (front panel mounting models only)
- Large, 7-digit LCD (8.6mm digit height)
- AC, DC and No-voltage input types available
- Panel mount type has user-replaceable lithium cell
- Optional 28-pin socket for PCB mount type
- Backlight function on "-H" models (use separate 24VDC power)
- Front panel "Reset" key may be disabled

Cat. No.	Counter Input	Time Display	Net Price
<b>PANEL MOUNT, SELF-POWERED</b>			
H7ET-N	No-voltage	999.9h or 3999d23.9h	<b>\$96.00</b>
H7ET-N1	No-voltage	999h59m59s or 9999h59.9m	<b>96.00</b>
H7ET-NV	DC-voltage	9999.9h or 3999d23.9h	<b>96.00</b>
H7ET-NV1	DC-voltage	999h59m59s or 9999h59.9m	<b>96.00</b>
H7ET-NV-H	DC-voltage	9999.9h or 3999d23.9h	<b>102.00</b>
H7ET-NV1-H	DC-voltage	999h59m59s or 9999h59.9m	<b>97.00</b>
H7ET-NFV	AC/DC voltage	9999.9h or 3999d23.9h	<b>111.00</b>
H7ET-NFV-1	AC/DC voltage	999h59m59s or 9999h59.9m	<b>111.00</b>

Cat. No.	Reset	Count Input	Time Display	Net Price
<b>PCB MOUNT</b>				
H7ET-NP	Electrical	No-voltage	999999.9h	<b>\$63.00</b>

**NOTE:** For black body model, please add "-B" to the end of the Cat. No. (Panel Mount models only).



**NOTE:** All units are in millimeters unless otherwise indicated.

## H7ER-N MINIATURE TACHOMETER

### FEATURES:

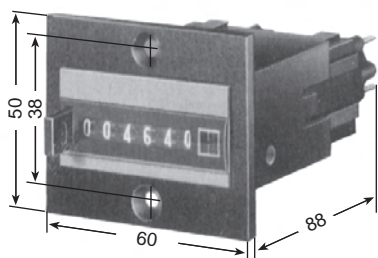
- Sub-miniature (1/32 DIN size) 48 x 24mm
- Choose black or ivory body
- Large, 4 or 5-digit LCD (8.6mm digit height)
- DC and No-voltage input types available
- Self-powered via a user-replaceable lithium cell
- Backlight function on "-H" models (use separate 24 VDC power)

Cat. No.	No. of Digits	Count Input	Max. Count Speed	Max. RPM Display (Applicable Encoder Resolution)	Net Price
H7ER-N	4	No-voltage	1kHz	100 rps (1 pulse/rev) or 1000 rpm (60 pulses/rev)	<b>\$108.00</b>
H7ER-NV	4	DC-voltage	1kHz		<b>108.00</b>
H7ER-NV-H	4	DC-voltage	1kHz		<b>113.00</b>
H7ER-NV1	5	DC-voltage	10kHz	1000.0 Orps (10 pulses/rev) or 1000.0 rpm (600 pulses/rev) or 10000 rpm (60 pulses/rev)	<b>108.00</b>
H7ER-NV1-H	5	DC-voltage	10kHz		<b>113.00</b>

**NOTE:** For black body model, please add "-B" to the end of the Cat. No.

### ACCESSORIES FOR H7ER-N SERIES

Cat. No.	Description	Net Price
Y92S-36	Lithium battery for H7ER-N	<b>\$11.90</b>
Y92S-37	Wire-wrap terminal adapter (set of two)	<b>2.90</b>
Y92F-75	Flush mounting adapter (fits 26 x 45mm rectangular cut-out)	<b>5.80</b>
Y92F-77B	Flush mounting adapter (fits 24.8 x 48.8mm rectangular cut-out)	<b>5.80</b>



TYPE 464 COUNTER + CONNECTION BOX  
+ PANEL FRAME

## TYPE 464/465/466/468 ELECTROMECHANICAL TOTALIZING COUNTERS

These counters are built and tested to VDE 0435 specifications. Maintenance-free for 200 million pulses, they provide fast replacement through their simple mounting procedure of separate counter, connection box and panel frame. Keyed resetting provides security of count.

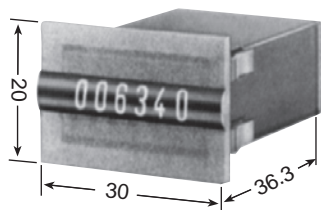
### TECHNICAL DATA

	Counting Magnet		Reset Magnet		Unit
	VDC	VAC	VDC	VAC	
Voltage type	25	10	—	—	p/s
Testing rate	2.5	2.75	12	16	W/VA
Power consumption	100	100	20/2	10/1	5/min
Duty factor at 25°C	1:1	1:1	1:5	1:10	
Pulse/pause ratio	20	50	200	200	ms
Min. pulse length	±10	±10	±10	±10	%
Voltage tolerance	20 × 10 <sup>8</sup>	—	1.5 × 10 <sup>6</sup>	—	Imp.
Maintenance-free oper.	—10°C to +50°C	—	—10°C to +50°C	—	
Ambient temp.	—	—	1 per s	1 per 2s	mm
Reset frequency	2 × 4	—	—	—	
Digit size	AMP flat plug 0.8 mm × 2.8 mm				
Electrical connection	frontside IP 40, terminals IP 00				
Protection class	—				

Cat. No.	Reset	No. of Digits	Counts Per Second	Volts	Net Price
G0-465-165	Manual Push Button	4	25	24 VDC	\$160.72
G0-465-186			10	24 VAC	174.70
G0-465-189			115 VAC	160.72	
G0-465-765	Electrical	4	25	24 VDC	223.61
G0-465-786			10	24 VAC	209.64
G0-465-789			115 VAC	209.64	
G0-464-165	Manual Push Button	6	25	24 VDC	146.74
G0-464-186			10	24 VAC	195.66
G0-464-189			115 VAC	195.66	
G0-464-765	Electrical	6	25	24 VDC	153.73
G0-464-786			25	24 VAC	251.56
G0-464-789			115 VAC	223.61	
G0-466-165	No Reset	6	25	24 VDC	146.74
G0-466-186			10	24 VAC	134.17
G0-466-189			115 VAC	146.74	
G0-468-165	No Reset	8	25	24 VDC	160.72
G0-468-186			10	24 VAC	146.74
G0-468-189			115 VAC	160.72	

### ACCESSORIES

G1-405-464	Connection Box	15.37
G1-405-491	Panel Frame, Black	8.39
G1-405-465	Key Resetting	15.37



TYPE 635



635.1



635.7



635.8

## TYPE 635 TOTALIZING COUNTERS HIGH RESISTANCE TO SHOCK

### TECHNICAL DATA:

Power consumption:	1.5 - 12 VDC
@ 20°C and Vnom:	78 mW
Voltage tolerance:	±10%
Count frequency max.:	10 /s
Min. pulse length:	50 ms
Pulse/pause ratio:	1:1
Duty factor @ 25°C:	100%
Temperature range:	-10°C to +70°C
Protection class:	IP 66*
Mounting position:	horizontal
Shock resistance:	3500 m/s <sup>2</sup>

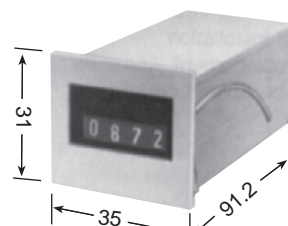
\* Only for front of 635.7 and 635.8

### TYPE 635 HIGH RESISTANCE TO SHOCK (6-DIGIT DISPLAY)

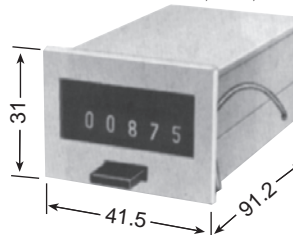
Cat. No.	Reset	Type Ohms	Counts per Sec.	Volts	Net Price
G0-635-128	No	1860	10	12 VDC	\$50.31
G0-635-130	No	3720	10	24 VDC	40.53
G0-635-708	No	1860	10	12 VDC	50.31
G0-635-710	No	3720	10	24 VDC	50.31
G0-635-808	No	1860	10	12 VDC	47.52
G0-635-810	No	3720	10	24 VDC	50.31

### ACCESSORIES

G1-634-008	Brush leads	Red	(for 708/710	1.00
G1-634-007	150 mm	Black	and 808/810 Series)	1.00



TYPES 872.1, 873.1, 874.1



TYPES 875.1, 876.1, 877.1

## TOTALIZING COUNTERS "PICCOLO"

These small and versatile counters are available with 4- to 7- digit displays. The 4- and 5-digit counters come with push button reset. Their supply-voltage range is from 12 VDC to 110 VAC. A 0.8 mm × 2.8 mm AMP plug is used for connection.

### TECHNICAL DATA

Number of digits	4 to 7 acc. to version	
Voltage type	DC	AC
Voltage tolerance	±10%	±10%
Testing rate	20 p/s	10 p/s
Power consumption	1.5 W	2.5 VA
Duty factor	100%	100%
Temperature range	-10°C to +50°C	
Digit size	2 × 4 mm	
Protection class	IP 40, terminals IP 00	

Continued on next page...