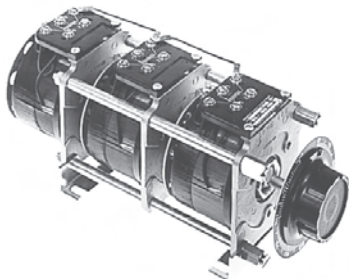
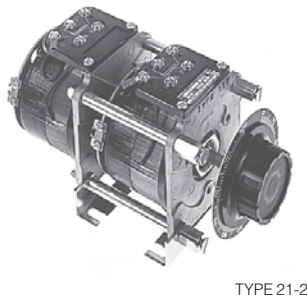
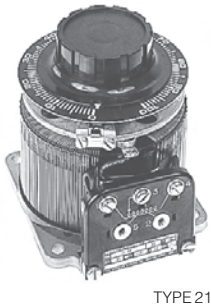
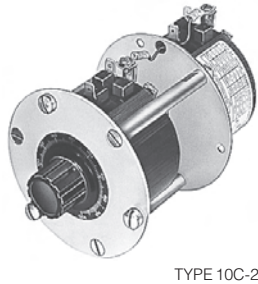
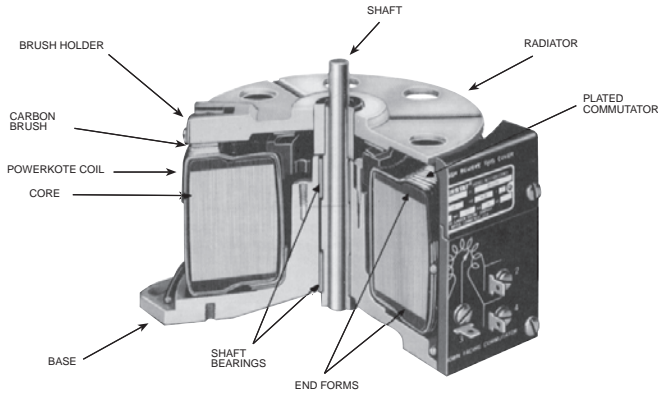




POWERSTAT® Variable Transformers



POWERSTAT® VARIABLE TRANSFORMERS WITH POWERKOTE® TREATED COILS

POWERSTAT® Variable Transformers are designed to deliver continuously adjustable voltage from A-C power lines. They introduce no waveform distortion and feature rugged construction, precious metal plated commutators, excellent regulations, high efficiency and conservative ratings. All manually operated types listed except the **10C**, **12C**, and **21-22** Series through the **146-246** Series are available with motor drives if desired. Motor driven speeds are 5, 15, 30 or 60 seconds for full range travel on all except types having -4, -5 or -6 suffixes which do not offer the 5-second speed. **1156D-1256D** and **1296D** Series types are available in ratings to 365 kVA. Types marked with the prefix **3PN** have 3-wire U-ground cord-plug sets.

FEATURES:

- CSA approved
- Rugged construction
- Manual & motor driven types
- Low resistance, high efficiency coils
- No waveform distortion
- High overload capacity
- Smooth linear control of output voltage

Cat. No.	INPUT		OUTPUT				Ship. Wt. Lbs.	Net Price	
	Volts	Hertz	Volts	Constant Current Load Max. Amps	Constant Impedance Load Max. KVA	Max. Amps			Max. KVA
10C-12C SERIES									
SINGLE PHASE									
10C	120 120	50/60 60	0-120 0-132	2.25* 2.25*	0.27 0.30	3† —	0.36 —	3	\$89.78
12C	240 240	50/60 60	0-240 0-264	0.7* 0.5††	0.17 0.13	0.9† —	0.22 —	3	163.00
SINGLE PHASE, SERIES									
10C-2	240 240	50/60 60	0-240 0-264	2.25* 2.25*	0.54 0.59	3† —	0.72 —	5	303.01
12C-2	480 480 600	50/60 60 60	0-480 0-528 0-600	0.7* 0.5†† 0.7*	0.34 0.26 0.42	0.9† — 0.9†	0.43 — 0.54	5	431.00
THREE PHASE, OPEN DELTA									
10C-2	120 120	50/60 60	0-120 0-132	2.25* 2.25*	0.47 0.51	3† —	0.62 —	5	303.01
12C-2	240 240	50/60 60	0-240 0-264	0.7* 0.5††	0.29 0.23	0.9† —	0.37 —	5	431.00
THREE PHASE, WYE									
10C-3	240	60	0-240	2.25*	0.94	3†	1.25	9	463.86
12C-3	480 480 600	50/60 60 60	0-480 0-528 0-600	0.7* 0.5†† 0.7*	0.58 0.46 0.73	0.9† — 0.9†	0.75 — 0.93	9	579.83
21-22 SERIES									
SINGLE PHASE									
21	120 120	50/60 50/60	0-120 0-140	5 5	0.60 0.70	7 —	0.84 —	7	163.35
22	240 240	50/60 50/60	0-240 0-280	2.25 2.25	0.54 0.63	3.25 —	0.78 —	7	218.22
SINGLE PHASE, SERIES									
21-2	240 240	50/60 50/60	0-240 0-280	5 5	1.2 1.4	7 —	1.7 —	14	491.30
22-2	480 480 600	50/60 50/60 60	0-480 0-560 0-600	2.25 2.25 2.25	1.1 1.3 1.4	3.25 — 3.25	1.6 — 2.0	14	613.50
THREE PHASE, OPEN DELTA									
21-2	120 120	50/60 50/60	0-120 0-140	5 5	1 1.2	7 —	1.5 —	14	491.30
22-2	240 240	50/60 50/60	0-240 0-280	2.25 2.25	0.94 1.1	3.25 —	1.4 —	14	613.50
THREE PHASE, WYE									
21-3	240 240	50/60 60	0-240 0-280	5 5	2.1 2.4	7 —	2.9 —	19	769.36
22-3	480 480 600	50/60 60 60	0-480 0-560 0-600	2.25 2.25 2.25	1.9 2.2 2.3	3.25 — 3.25	2.7 — 3.4	19	955.16

*Rating when mounted on a metal panel. When mounted on a bracket or nonmetallic panel derate to 1.75 amperes for 10C series, 0.5 amperes for 12 series.

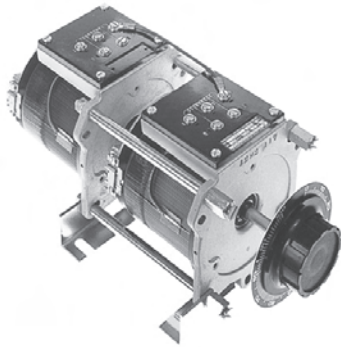
†Rating when mounted on a metal panel. When mounted on a bracket or nonmetallic panel derate to 2.5 amperes for 10C series, 0.75 amperes for 12 series.

††Maximum current when mounted on a metal panel is 0.7 ampere in output voltage range from 0 to line voltage.

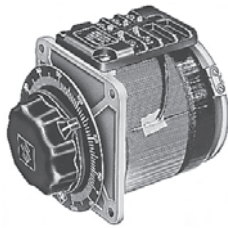
Contact Electro Sonic for your (POWERSTAT®) replacement parts needs.



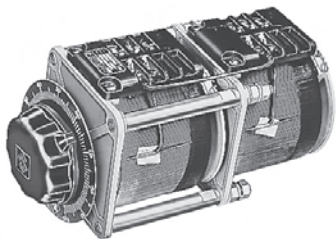
TYPE 3PN117C



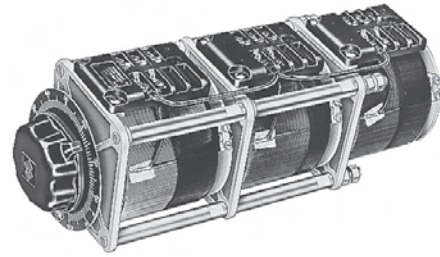
TYPE 116CU-2



TYPE Q116U



TYPE Q116U-2



TYPE Q116U-3

Cat. No.	INPUT		OUTPUT				Ship. Wt. Lbs.	Net Price
			Volts	Hertz	Constant Current Load			
	Volts	Max. Amps			Max. KVA	Max. Amps		

116C-216C AND 117C-217C SERIES

SINGLE PHASE

3PN116C	120 120	50/60 50/60	0-120 0-140	10 10	1.2 1.4	13 —	1.6 —	1.2	\$310.49
116CT	120 120	50/60 50/60	0-120 0-140	10 10	1.2 1.4	13 —	1.6 —	12	310.49
116CU	120 120	50/60 50/60	0-120 0-140	10 10	1.2 1.4	13 —	1.6 —	12	199.51
Q116U	120 120	50/60 50/60	0-120 0-140	9 10	1.1 1.3	12 —	1.4 —	12	211.98
3PN117C	120	60	0-120	12	1.4	15	1.8	12	364.11
117CT	120	60	0-120	12	1.4	15	1.8	12	314.23
117CU	120	60	0-120	12	1.4	15	1.8	12	224.45
Q117U	120	60	0-120	10	1.2	13	1.6	12	248.14
216CU	240 240	50/60 50/60	0-240 0-280	3.5 3.5	0.84 0.98	5 —	1.2 —	12	271.83
Q216U	240 240	50/60 50/60	0-240 0-280	3.5 3.5	0.84 0.98	5 —	1.2 —	12	271.83
217CU	240	60	0-240	5	1.2	7	1.7	12	276.82
Q217U	240	60	0-240	5	1.2	7	1.7	12	276.82

SINGLE PHASE, SERIES

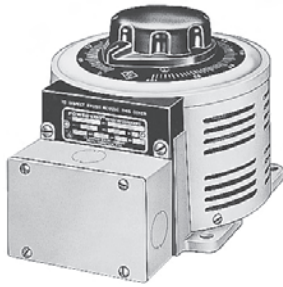
116CU-2	240 240	50/60 50/60	0-240 0-280	10 10	2.4 2.8	13 —	3.1 —	24	579.83
Q116U-2	240	50/60	0-240 0-280	9 9	2.2 2.5	12 —	2.9 —	24	593.55
117CU-2	240	60	0-240	12	2.9	15	3.6	24	625.97
Q117U-2	240	60	0-240	10	2.4	13	3.1	24	677.09
216CU-2	480 480 600	50/60 50/60 60	0-480 0-560 0-600	3.5 3.5 3.5	1.7 2.0 2.1	5 — 5	2.4 — 2.4	24	662.13
Q216U-2	480 480 600	50/60 50/60 60	0-480 0-560 0-600	3.5 3.5 3.5	1.7 2.0 2.0	5 — 5	2.4 — 3.0	24	688.31
217CU-2	480	60	0-480	5	2.4	7	3.4	24	736.94
Q217U-2	480	60	0-480	5	2.4	7	3.4	24	721.98

THREE PHASE, OPEN DELTA

116CU-2	120 120	50/60 50/60	0-120 0-140	10 10	2.1 2.4	13 —	2.7 —	24	579.83
Q116U-2	120 120	50/60 50/60	0-120 0-140	9 9	1.9 2.2	12 —	2.5 —	24	593.55
117CU-2	120	60	0-120	12	2.5	15	3.1	24	625.97
Q117U-2	120	60	0-120	10	2.1	13	2.7	24	677.09
216CU-2	240 240	50/60 50/60	0-240 0-280	3.5 3.5	1.5 1.7	5 —	2.1 —	24	662.13
Q216U-2	240 240	50/60 50/60	0-240 0-280	3.5 3.5	1.5 1.7	5 —	2.1 —	24	688.31
217CU-2	240	60	0-240	5	2.1	7	2.9	24	736.94
Q217U-2	240	60	0-240	5	2.1	7	2.9	24	721.98

THREE PHASE, WYE

116CU-3	240 240	50/60 60	0-240 0-280	10 10	4.2 4.8	13 —	5.4 —	36	788.07
Q116U-3	240 240	50/60 60	0-240 0-280	9 9	3.8 4.4	12 —	5.0 —	36	831.71
117CU-3	240	60	0-240	12	5.0	15	6.2	36	844.18
Q117U-3	240	60	0-240	10	4.2	13	5.4	36	882.84
216CU-3	480 480 600	50/60 60 60	0-480 0-560 0-600	3.5 3.5 3.5	2.9 3.4 3.6	5 — 5	4.2 — 5.2	36	935.21
Q216U-3	480 480 600	50/60 60 60	0-480 0-560 0-600	3.5 3.5 3.5	2.9 3.4 3.6	5 — 5	4.2 — 5.2	36	945.18
217CU-3	480	60	0-480	5	4.2	7	5.8	36	1020.00
Q217U-3	480	60	0-480	5	4.2	7	5.8	36	1053.67



TYPE 126T



TYPE 226



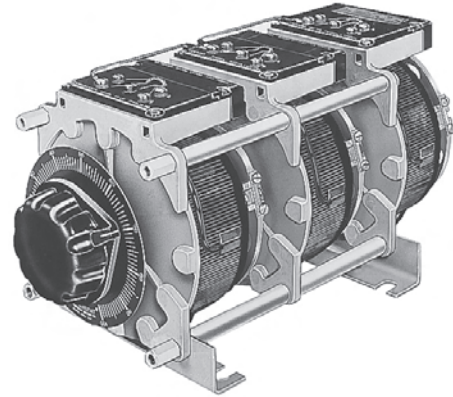
TYPE 136BT



TYPE 3PN226

126B-226B SERIES

Cat. No.	INPUT		OUTPUT				Ship. Wt. Lbs.	Net Price	
	Volts	Hertz	Volts	Max. Amps	Max. KVA	Constant Impedance Load			
126-226 SERIES									
SINGLE PHASE									
3PN126	120	50/60	0-120	15	1.8	20	2.4	18	\$578.07
	120	50/60	0-140	15	2.1	—	—		
126	120	50/60	0-120	15	1.8	20	2.4	18	439.23
	120	50/60	0-140	15	2.1	—	—		
126T	120	50/60	0-120	15	1.8	20	2.4	18	498.55
	120	50/60	0-140	15	2.1	—	—		
126U	120	50/60	0-120	15	1.8	20	2.4	18	388.74
	120	50/60	0-140	15	2.1	—	—		
226U	240	50/60	0-240	7.5	1.8	10	2.4	18	388.74
	240	50/60	0-280	7.5	2.1	—	—		
SINGLE PHASE, SERIES									
126U-2	240	50/60	0-240	15	3.6	20	4.8	36	903.71
	240	50/60	0-280	15	4.2	—	—		
226U-2	480	50/60	0-480	7.5	3.6	10	4.8	36	903.71
	480	50/60	0-560	7.5	4.2	—	—		
	600	60	0-600	7.5	4.5	10	6.0		
THREE PHASE, OPEN DELTA									
126U-2	120	50/60	0-120	15	3.1	20	4.2	36	903.71
	120	50/60	0-140	15	3.6	—	—		
226U-2	240	50/60	0-240	7.5	3.1	10	4.2	36	903.71
	240	50/60	0-280	7.5	3.6	—	—		
THREE PHASE, WYE									
126U-3	240	50/60	0-240	15	6.2	20	8.3	53	1424.98
	240	60	0-280	15	7.3	—	—		
226U-3	480	50/60	0-480	7.5	6.2	10	8.3	53	1424.98
	480	60	0-560	7.5	7.3	—	—		
	600	60	0-600	7.5	7.8	10	10.4		



TYPE 136BU-3

136B-236B SERIES

Cat. No.	INPUT		OUTPUT				Ship. Wt. Lbs.	Net Price	
	Volts	Hertz	Volts	Max. Amps	Max. KVA	Constant Impedance Load			
136B-236B SERIES									
SINGLE PHASE									
3PN136B	120	50/60	0-120	20	1.8	28	3.4	26	\$838.07
	120	50/60	0-140	20	1.8	—	—		
136B	120	50/60	0-120	22	2.6	28	3.4	26	612.15
	120	50/60	0-140	22	3.1	—	—		
136BU	120	50/60	0-120	22	2.6	28	3.4	26	566.71
	120	50/60	0-140	22	3.1	—	—		
136BT	120	50/60	0-120	22	2.6	28	3.4	26	696.71
	120	50/60	0-140	22	3.1	—	—		
236B	240	50/60	0-240	10	2.4	13	3.1	26	612.15
	240	50/60	0-280	10	2.8	—	—		
236BU	240	50/60	0-240	10	2.4	13	3.1	26	566.71
	240	50/60	0-280	10	2.8	—	—		
SINGLE PHASE, PARALLEL									
136BU-2§	120	50/60	0-120	44	5.3	56	6.7	53	1432.55
	120	50/60	0-140	44	6.2	—	—		
136BU-3*	120	50/60	0-120	66	7.9	84	10.1	80	2044.70
	120	50/60	0-140	66	9.2	—	—		
236BU-2§	240	50/60	0-240	20	4.8	26	6.2	53	1432.55
	240	50/60	0-280	20	5.6	—	—		
236BU-3*	240	50/60	0-240	30	7.2	39	9.4	80	2044.70
	240	50/60	0-280	30	8.4	—	—		
SINGLE PHASE, SERIES									
136BU-2	240	50/60	0-240	22	5.3	28	6.7	53	1432.55
	240	50/60	0-280	22	6.2	—	—		
236BU-2	480	50/60	0-480	10	4.8	13	6.2	53	1432.55
	480	50/60	0-560	10	5.6	—	—		
	600	60	0-600	10	6.0	13	7.8		
THREE PHASE, OPEN DELTA									
136BU-2	120	50/60	0-120	22	4.6	28	5.8	53	1432.55
	120	50/60	0-140	22	5.3	—	—		
236BU-2	240	50/60	0-240	10	4.2	13	5.4	53	1432.55
	240	50/60	0-280	10	4.8	—	—		

§T5000B paralleling choke required. . . . Net Price Each
*T5579B paralleling choke required. . . . Net Price Each
Contact Electro Sonic for your (POWERSTAT®) replacement parts needs.

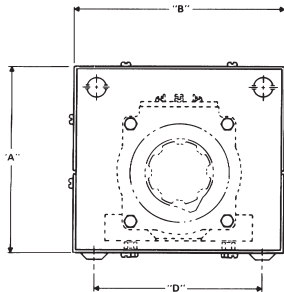
Continued on next page....

Cat. No.	INPUT		OUTPUT					Ship. Wt. Lbs.	Net Price
			Constant Current Load		Constant Impedance Load				
	Volts	Hertz	Volts	Max. Amps	Max. KVA	Max. Amps	Max. KVA		
THREE PHASE, WYE									
136BU-3	240	50/60	0-240	22	9.1	28	11.6	80	\$2020.05
	240	60	0-280	22	10.7	—	—		
236BU-3	480	50/60	0-480	10	8.3	13	10.8	80	2020.05
	480	60	0-560	10	9.7	—	—		
	600	60	0-600	10	10.4	13	13.5		

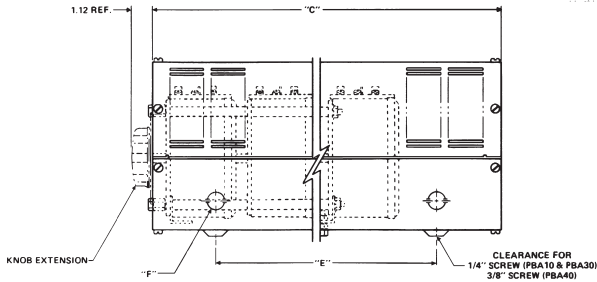
§**T5000B** paralleling choke required. . . . Net Price Each
 ***T5579B** paralleling choke required. . . . Net Price Each
 Contact Electro Sonic for your (POWERSTAT®) replacement parts needs.



PBA SERIES ENCLOSURES



ENCLOSURE OUTLINE DIMENSIONS



**PBA SERIES POWERSTAT®
VARIABLE TRANSFORMER ENCLOSURES**

Cat. No.	Dimension				
	"A"	"B"	"C"	"D"	"E"
PBA10-N01-1	7.00 (177.80)	8.00 (203.20)	6.00 (152.40)	6.25 (158.75)	4.00 (101.60)
PBA10-N01-2	7.00 (177.80)	8.00 (203.20)	13.00 (330.20)	6.25 (158.75)	9.00 (228.60)
PBA10-N01-3	7.00 (177.80)	8.00 (203.20)	18.00 (457.20)	6.25 (158.75)	14.00 (355.60)
PBA10-N01-4	7.00 (177.80)	8.00 (203.20)	25.00 (635.00)	6.25 (158.75)	21.00 (533.40)

PBA30-N01-1	10.12 (257.05)	9.25 (234.95)	6.25 (158.75)	7.62 (193.55)	4.25 (107.95)
PBA30-N01-2	10.12 (257.05)	9.25 (234.95)	14.00 (355.60)	7.62 (193.55)	7.00 (177.80)
PBA30-N01-3	10.12 (257.05)	9.25 (234.95)	19.00 (482.60)	7.62 (193.55)	12.00 (304.80)
PBA30-N01-4	10.12 (257.05)	9.25 (234.95)	25.00 (635.00)	7.62 (193.55)	18.00 (457.20)

ENCLOSURE SELECTION CHART

Cat. No.	Series	Ganged Assemblies	Type	Wt. Lbs.	Net Price
FOR USE WITH POWERSTAT® VARIABLE TRANSFORMER					
PBA10-N01-1	21 & 22	1	21, 22	7	\$178.31
PBA10-N01-2		2	21-2, 22-2	11	221.96
PBA10-N01-3		3	21-3, 22-3	13	243.15
PBA10-N01-1	116C & 117C	1	116CU, 117CU	7	178.31
PBA10-N01-2		2	116CU-2, 117CU-2	11	221.96
PBA10-N01-3		3	116CU-3, 117CU-3	13	243.15
PBA10-N01-1	216C & 217C	1	216CU, 217CU	7	178.31
PBA10-N01-2		2	216CU-2, 217CU-2	11	221.96
PBA10-N01-3		3	216CU-3, 217CU-3	13	243.15
PBA30-N01-1	126 & 226	1	126U, 226U	9	251.88
PBA30-N01-2		2	126U-2, 226U-2	11	296.77
PBA30-N01-3		3	126U-3, 226U-3	13	340.42
PBA30-N01-1	136B & 236B	1	136BU, 236BU	9	251.88
PBA30-N01-2		2	136BU-2, 236BU-2	11	296.77
PBA30-N01-3		3	136BU-3, 236BU-3	13	340.42
PBA40-N01-1	146 & 246	1	146U, 246U	12	296.77
PBA40-N01-2		2	146U-2, 246U-2	18	340.42
PBA40-N01-3		3	146U-3, 246U-3	22	381.57



TYPE 146U

146-246 SERIES

Cat. No.	INPUT		OUTPUT					Ship. Wt. Lbs.	Net Price
			Constant Current Load		Constant Impedance Load				
	Volts	Hertz	Volts	Max. Amps	Max. KVA	Max. Amps	Max. KVA		
146-246 SERIES									
SINGLE PHASE									
146	120	50/60	0-120	30	3.6	35	4.2	38	\$991.32
	120	50/60	0-140	30	4.2	—	—		
146T	120	50/60	0-120	30	3.6	35	4.2	38	1069.88
	120	50/60	0-140	30	4.2	—	—		
146U	120	50/60	0-120	30	3.6	35	4.2	38	882.84
	120	50/60	0-140	30	4.2	—	—		
246	240	50/60	0-240	15	3.6	19	4.6	38	991.32
	240	50/60	0-280	15	4.2	—	—		
246T	240	50/60	0-240	15	3.6	19	4.6	38	1069.88
	240	50/60	0-280	15	4.2	—	—		
246U	240	50/60	0-240	15	3.6	19	4.6	38	882.84
	240	50/60	0-280	15	4.2	—	—		
SINGLE PHASE, PARALLEL									
146U-2†	120	50/60	0-120	60	7.2	70	8.4	83	2269.44
	120	50/60	0-140	60	8.4	—	—		
146U-3**	120	50/60	0-120	90	10.8	105	12.6	125	3387.94
	120	50/60	0-140	90	12.6	—	—		
246U-2§	240	50/60	0-240	30	7.2	38	9.1	83	2269.44
	240	50/60	0-280	30	8.4	—	—		
246U-3*	240	50/60	0-240	45	10.8	57	13.7	125	3387.94
	240	50/60	0-280	45	12.6	—	—		
SINGLE PHASE, SERIES									
146U-2	240	50/60	0-240	30	7.2	35	8.4	83	2269.44
	240	50/60	0-280	30	8.4	—	—		
246U-2	480	50/60	0-480	15	7.2	19	9.1	83	2269.44
	480	50/60	0-560	15	8.4	—	—		
	600	60	0-600	15	9.0	19	11.4		

†**T6053** paralleling choke required. . . . Net Price Each
 ****T6065** paralleling choke required. . . . Net Price Each
 §**T5000B** paralleling choke required. . . . Net Price Each
 ***T5579B** paralleling choke required. . . . Net Price Each

Continued on next page....

Cat. No.	INPUT		OUTPUT				Ship. Wt. Lbs.	Net Price	
			Volts	Hertz	Constant Current Load				Constant Impedance Load
	Max. Amps	Max. KVA			Max. Amps	Max. KVA			
THREE PHASE, OPEN DELTA									
146U-2	120 120	50/60 50/60	0-120 0-140	30 30	6.2 7.3	35 —	7.3 —	83	\$2269.44
246U-2	240 240	50/60 50/60	0-240 0-280	15 15	6.2 7.3	19 —	7.9 —	83	2269.44
THREE PHASE, WYE									
146U-3	240 240	50/60 60	0-240 0-280	30 30	12.5 14.5	35 —	14.5 —	125	3387.94
246U-3	480 480 600	50/60 60 60	0-480 0-560 0-600	15 15 15	12.5 14.5 15.6	19 — 19	15.8 — 19.7	125	3387.94

†T6053 paralleling choke required. . . . Net Price Each
 **T6065 paralleling choke required. . . . Net Price Each
 §T5000B paralleling choke required. . . . Net Price Each
 *T5579B paralleling choke required. . . . Net Price Each

POWERSTAT REPLACEMENT BRUSHES AND COILS

Cat. No.	POWERSTAT® Series	Net Price
RB10C	10C/L10C	\$27.24
RB12	12	27.57
RB21	21/L21C	36.34
RB22	22	39.90
RB117B/RB116B	117C/116C	39.15
RB126	126	54.48
RB136	136B	51.45
RB146	146	60.53
RB216B/RB217B	216C/217C	40.97
RB226	226	57.36
RB236	236B	51.45
RB246	246	67.22
RB1256B	1256D	78.31
RBQ116	Q116U	41.15
RBQ117	Q117U	44.09
RBQ216/RBQ217	Q216U	37.59



TOTALLY ENCLOSED L SERIES

Enclosed L Series POWERSTAT® Variable Transformers are ideally suited for use in applications requiring a portable source of variable a-c voltage up to 1.4 KVA capacity. They are specially designed to minimize any possibility of shock hazard.

For maximum protection and safety, all models are equipped with a grounded NEMA cord-plug assembly, on-off switch, pilot light, output receptacle and fuse. Type L116C has an integrally designed nonprojecting handle. Controls on the panel are recessed for eye appeal and protection from accidental bumping. All models are designed for 120 volt single phase service.

WALL MOUNTING

Enclosed L Series POWERSTAT® Variable Transformers have slots at the rear that accept wall hanger brackets. They may be hung off the working surface yet can be easily removed for use in another location.

DIMENSIONS

Cat. No.	Height	Width	Depth
L10C	6 ³ / ₃₂ "	5"	4 ¹ / ₄ "
L21C	7 ²⁵ / ₃₂ "	5 ³ / ₈ "	5 ⁵ / ₈ "
L116C	9 ¹ / ₂ "	6 ⁷ / ₁₆ "	6 ¹ / ₂ "

Cat. No.	INPUT		OUTPUT			Net Price
			Volts	Constant Current Load		
	Volts	Max. Amp.		Max. KVA		
L10C	120	60	0-132	1.75	0.23	\$276.82
L21C	120	50/60	0-140	4.5	0.63	364.11
L116C	120	50/60	0-140	10	1.4	425.21

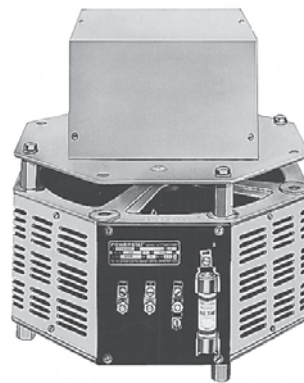


METERED L2M SERIES POWERSTAT® VARIABLE TRANSFORMERS

Metered L2M Series units incorporate easy-to-read analog output voltage and current meters. Models are offered to provide outputs of either 0-140 V or 0-280 V from a 120 VAC, single phase input. Four models are available in ratings to 15 A, 1.8 kVA. Input connection is through a grounded 6-foot NEMA 5-15 line cord. Output connection is by means of a NEMA-style receptacle, 5-WAY® Binding Posts or a combination of both. Output metering is by a separate voltmeter and an ammeter having accuracies of ±3%. On/off switching is by an "ON Indicating" rocker style thermal magnetic circuit breaker. Although primarily designed for general utility, benchtop or shelf use, provision is made at the rear of the unit for wall mounting to any flat surface up to 1/2-inch thick having back of panel accessibility. **Full 1-Year Warranty.**

120 V SINGLE-PHASE INPUT

Cat. No.	Input		Output			Net Price	
			Volts	Maximum Load			
	Volts	Amps 0-140 V		Amps @ 280 V	KVA		
L2M116C	120	50/60	0-140	10	N/A	1.40	\$885.33
L2M126C	120	50/60	0-140	15	N/A	1.80	1189.58
L2M216C	120	50/60	0-280	3.5	1.5	0.49	965.13
L2M226C	120	50/60	0-280	7.5	3.1	1.05	1189.58



MOTOR DRIVEN
TYPE 15MB1156D



TYPE 1256D



TYPE 1296DU

Continued on next page....