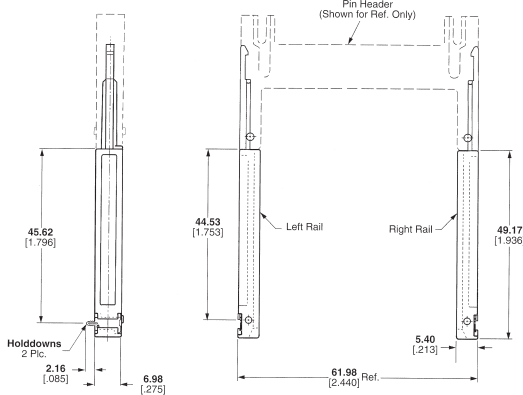
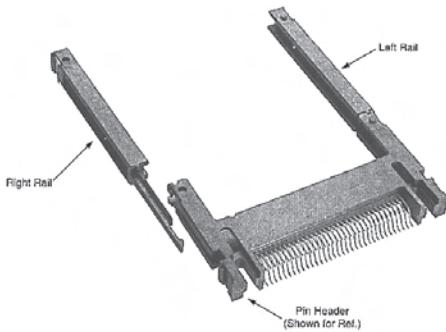


## AMP EJECTOR ASSEMBLY FOR STANDARD PROFILE PIN HEADERS

**Material and Finish:** Rails, Shroud and Bottom: Liquid crystal polymer, black. Ejector, Rail plate and Lever: Stainless steel.

Cat. No.	Description	Net Price
146019-1	Left button ejector	\$5.74

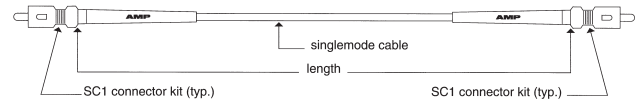


## AMP GUIDE RAILS FOR STANDARD PROFILE PIN HEADERS

**Material and Finish:** Rails: Liquid crystal polymer, black. Holddowns: phosphor bronze, tin plated.

### LEFT AND RIGHT GUIDE RAILS WITH THRU-HOLE HOLDDOWNS

Cat. No.	Description	Net Price
5535664-1	Left guide rail	\$2.63
5535664-2	Right guide rail	2.71



## AMP OPTICAL FIBER CABLE ASSEMBLIES, SC1— SC1 SIMPLEX P/C STYLE

**FEATURES:** Simplex style cable: nominal dimension 3.0mm. Compatible with all SC connectors and are made under license of NTT. All assemblies use a Epoxy/Crimp Termination Procedure reducing degradation of optical performance beyond the specified limits. Bend—limiting high precision strain relief. For high performance characteristics HRL/angle polish is available in excess of 60 db. Insertion loss: 0.3 db typical. Mating cycles: (Less than 0.2 db change): 1000 (ceramic). Operating temperature: -20°C to +85°C (ceramic).

Cat. No.	Length (m)
<b>SINGLEMODE</b>	
9-81925-5	5
9-81925-9	10

**NOTE:** Contact your Electro Sonic sales representative for pricing.



## AMP TERMINATION KITS

Termination Kits provide all the materials and tools required to terminate a particular type of fiber optic connector. Tools are conveniently packaged in a handy carrying case. The kits contain polishing materials for approximately 60 connectors. The consumable items in the kit can be purchased separately.

Cat. No.	Connector Type	Net
503746-7	ST Style	\$1100.90
503330-1	Light Crimp XTC, all types	1569.35

**NOTE:** Cable assemblies also available.



## ST STYLE COUPLING RECEPTACLES (FREE-HANGING OR PANEL MOUNT)

Cat. No.	Description	Net Price
502750-1	Multimode, ceramic	\$4.08
501381-1	Singlemode/multimode, plastic	1.89

**NOTE:** Cable assemblies also available.



## ST STYLE CONNECTORS, (EPOXY)

Cat. No.	Description	Net Price
5501380-1	125um/Multimode, Ceramic	\$5.48
5503415-1	125um/Multimode, Plastic	2.47
5502579-2	126um/Singlemode, Ceramic	5.61
58433-4	PRO-CRIMPER II with Die Set	215.94
58424-1	ST Style Die Set	93.40

**NOTE:** Cable assemblies also available.

## 50 ohm Transmission Cables

Description UL AWM Style	Cat. No. UL NEC C(UL) CEC Type	Standard Lengths		Std. Unit Lbs. ea.	AWG (stranding) [Dia. in In.] Nom. D.C.R.	Insulation & Nominal Core O.D.		Nominal O.D.		No. of Shields & Material Nom. D.C.R.	Nom. Imp. (ohms)	Nom. Vel. of Prop.	Nominal Capacitance		Nominal Attenuation		
		ft.	m			Inch	mm	Inch	mm				pF/ft.	pF/m	MHz	dB/ 100 ft.	dB/ 100 m
 <b>RG-174/U Type</b> 1354 30V 60°C	8216	100	30.5	.8	26(7×34) .019 bare copper covered steel 97Ω/M' 318.2Ω/km	Poly- ethylene .059 1.50	.110	2.79	Tinned copper braid 90% shield coverage 10.3Ω/M' 33.8Ω/km	50	66%	30.8	101.0	1	1.9	6.2	
		500	152.4	4.4										10	3.3	10.8	
		1000**	304.8	8.1									50	5.8	19.0		
														100	8.4	27.6	
														200	12.5	41.0	
														400	19.0	62.3	
														700	27.0	88.6	
														900	31.0	101.7	
														1000	34.0	111.5	
 <b>RG-58/U Type</b> 1354 30V 80°C	8240 NEC CMX CEC CMX	50	15.2	1.7	20(solid) .033 bare copper 10.0Ω/M' 32.8Ω/km	Poly- ethylene .116 2.95	.193	4.90	Tinned copper braid 95% shield coverage 4.1Ω/M' 13.4Ω/km	51.5	66%	29.9	98.1	1	.3	1.1	
		100	30.5	2.9										10	1.1	3.6	
		U-500	U-152.4	13.4										50	2.5	8.2	
		500	152.4	14.1										100	3.8	12.5	
		U-1000	U-304.8	26.0										200	5.6	18.4	
		1000	304.8	26.6										400	8.4	27.6	
														700	11.7	38.4	
														900	13.7	44.9	
														1000	14.5	47.6	
 <b>RG-58/U Type</b> 1354 30V 80°C	9310**	100	30.5	2.4	20(solid) .033 bare copper 10.0Ω/M' 33.1Ω/km	Poly- ethylene .114 2.90	.193	4.90	Duobond® II +55% tinned copper braid 100% shield coverage 14.0Ω/M' 45.9Ω/km	50	66%	31.0	101.7	1	.46	1.5	
		U-500	U-152.4	10.8										10	1.4	4.6	
		500	152.4	11.5										50	2.8	9.2	
		U-1000	U-304.8	20.6										100	3.8	12.5	
		1000	304.8	21.4										200	5.4	17.7	
														400	7.9	25.9	
														700	11.1	36.4	
														900	12.8	42.0	
														1000	13.9	45.6	
 <b>P-MSHA SC-182/5 RG-58A/U Type</b> 1354 30V 80°C	8219 NEC CM CEC CM	100	30.5	2.7	20(19×32) .037 tinned copper 8.8Ω/M' 28.9Ω/km	Foam Poly- ethylene .114 2.90	.195	4.95	Tinned copper braid 96% shield coverage 4.1Ω/M' 13.4Ω/km	53.5	73%	26.5	86.9	1	.37	1.2	
		Black only	U-152.4	13.9										10	1.3	4.3	
		U-500	U-152.4	14.1										50	3.1	10.2	
		500	152.4	26.9										100	4.5	14.8	
		U-1000	U-304.8	26.9										200	6.6	21.7	
		1000	304.8	26.9										400	10.0	32.8	
														700	14.2	46.6	
														900	16.6	54.5	
														1000	18.1	59.4	
 <b>RG-58A/U Type</b> 75°C	8259	100	30.5	2.9	20(19×33) .035 tinned copper 10.8Ω/M' 35.4Ω/km	Poly- ethylene .116 2.95	.193	4.90	Tinned copper braid 95% shield coverage 4.1Ω/M' 13.4Ω/km	50	66%	30.8	101.1	1	.42	1.4	
		U-500	U-152.4	13.0										10	1.5	4.9	
		500	152.4	13.6										50	3.7	12.1	
		U-1000	U-304.8	25.9										100	5.4	17.7	
		1000	304.8	26.0										200	8.1	26.6	
														400	12.4	40.7	
														700	17.7	58.1	
														900	21.1	69.2	
														1000	22.8	74.8	
 <b>MIL-C-17G M17/155-00001 (RG-58 C/U') QPL</b> 85°C	8262	U-500	U-152.4	13.3	20(19×33) .035 tinned copper 10.8Ω/M' 35.4Ω/km	Poly- ethylene .116 2.95	.195	4.90	Tinned copper braid 95% shield coverage 4.1Ω/M' 13.4Ω/km	50	66%	30.8	101.0	1	.42	1.4	
		500	152.4	14.0										10	1.5	4.9	
		U-1000	U-304.8	26.5										50	3.7	12.1	
		1000	304.8	26.3										100	5.4	17.7	
														200	8.1	26.6	
														400	12.4	40.7	
														700	17.7	58.1	
														900	21.1	69.2	
														1000	22.8	74.8	
 <b>JAN-C-17A</b> 75°C	8237 NEC CMX CEC CMX	100	30.5	11.8	13(7×21) .085 bare copper 1.9Ω/M' 6.2Ω/km	Poly- ethylene .285 7.24	.405	10.29	Bare copper braid 97% shield coverage 1.2Ω/M' 3.9Ω/km	52	66%	29.9	96.8	1	.16	.52	
		500	152.4	61.5										10	.56	1.8	
		1000	304.8	119.2										50	1.3	4.3	
														100	1.9	6.2	
														200	2.8	9.2	
														400	4.2	13.8	
														700	5.9	19.4	
														900	6.9	22.6	
														1000	7.4	24.3	
														4000	23.2	76.1	

\*DuPont trademark.

\*\*100': Exact spools—multi-piece (max. 2 pieces, min. length 25').

250': Exact spools—multi-piece (max. 3 pieces, min. length 25').

500': Exact spools—multi-piece (max. 4 pieces, min. length 25').

1000': Exact spools—multi-piece (max. 5 pieces, min. length 25').

†Protected by U.S. Patent #4,694, 122. Patent granted in Japan, Singapore, Australia, Germany, France & England.

Continued on next page....

For complete product selection please contact your Electro Sonic sales representative.