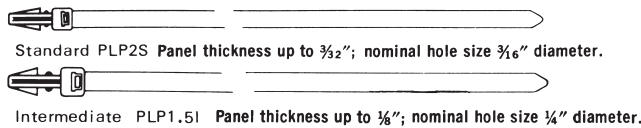
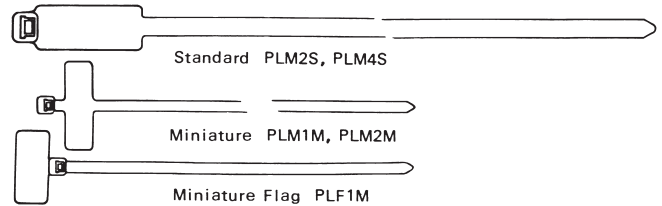


CLAMPS



PUSHMOUNT TIES



MARKER TIES

## PAN-TY® LOCKING CABLE TIES

Panduit **Pan-Ty (PLT)** locking cable ties are suitable for hand or tool installation, without metal barbs or need for twisting. They feature one piece all nylon construction. These cable ties are a locking type and are non-releasable. The curved tip design facilitates threading around the bundle and faster insertion of the tip into the head. The design of this tie is unique and will install tighter in the bundle. Finger tip grip-serrations at the top of the lead end of the cable tie assist in pulling the tie tight and make strap orientation easier without visual check. These serrations also provide a temporary hold which is releasable if only the tip is inserted in the head. Variations to the standard Pan-Ty cable tie include a **Clamp Type (PLC)** which has the additional feature of an integral mounting ring. **Push Mount (PLP)** ties have an integral push mount which makes them an economical replacement for many fixed diameter clamps. They may be easily pressed into a pre-drilled hole, thus securing the bundle without additional fasteners. **Marker Ties (PLM)** provide clear and permanent identification of harnesses, at the same time helping to secure the bundle. Miniature Marker ties offer the alternate choice of **Flag (PLF)** marking.

### PANDUIT TIE STRAPS

Cat. No.	Cross Section Size	Approx. Length	Maximum Bundle Dia.	Tensile Strength	Hole Size	Pkg. Qty.	Net Price Per 100	
							1-999	1000-Up
<b>STANDARD PACKAGE</b>								
<b>CABLE TIES—NATURAL NYLON—ONE PIECE, SELF LOCKING</b>								
PLT7M-C	Miniature	3 1/16"	1 7/25"	18 lbs.	—	100	\$14.14	\$11.30
PLT1M-C	Miniature	3 3/8"	3/4"	18 lbs.	—	100	15.89	12.73
PLT1.5M-C	Miniature	5 5/8"	1 1/4"	18 lbs.	—	100	18.88	15.12
PLT1.5I-C	Intermediate	5 5/8"	1 3/8"	40 lbs.	—	100	16.95	13.58
PLT1.5S-C	Standard	6 5/8"	1 1/2"	50 lbs.	—	100	21.60	17.30
PLT2M-C	Miniature	8"	2"	18 lbs.	—	100	19.96	15.99
PLT2I-C	Intermediate	8"	2"	40 lbs.	—	100	20.30	16.26
PLT2S-C	Standard	7 5/8"	1 7/8"	50 lbs.	—	100	22.78	18.25
PLT3I-C	Intermediate	11 5/8"	3"	40 lbs.	—	100	32.88	26.35
PLT3S-C	Standard	11 1/2"	3"	50 lbs.	—	100	45.79	36.69
PLT3H-L	Heavy	11 5/8"	3"	120 lbs.	—	50	74.11	59.20
PLT4I-C	Intermediate	14 5/8"	4"	40 lbs.	—	100	44.96	36.02
PLT4S-C	Standard	14 1/2"	4"	50 lbs.	—	100	55.22	44.24
PLT4H-L	Heavy	14 1/2"	4"	120 lbs.	—	50	106.48	85.31
PLT5H-L	Heavy	17 3/4"	5"	175 lbs.	—	50	118.16	94.67
PLT6H-L	Heavy	20 5/8"	6"	175 lbs.	—	50	128.85	103.23
PLT8H-L	Heavy	30 5/8"	9"	175 lbs.	—	50	163.66	131.12
<b>CABLE TIES—ONE PIECE, SELF-LOCKING—BLACK—WEATHER RESISTANT</b>								
PLT1M-CO	Miniature	3 3/8"	3/4"	18 lbs.	—	100	17.15	13.74
PLT1.5I-CO	Intermediate	5 5/8"	1 3/8"	40 lbs.	—	100	18.07	14.48
PLT2S-CO	Standard	7 5/8"	1 7/8"	50 lbs.	—	100	24.01	19.23
PLT3S-CO	Standard	11 1/2"	3"	50 lbs.	—	100	55.85	44.74
PLT4S-CO	Standard	14 1/2"	4"	50 lbs.	—	100	61.68	49.42

Continued on next page...

# Panduit Wiring Components

MANU  
356  
CODE

## PANDUIT TIE STRAPS (CONTINUED)

Cat. No.	Cross Section Size	Approx. Length	Maximum Bundle Dia.	Tensile Strength	Hole Size	Pkg. Qty.	Net Price Per 100	
							1-999	1000-Up
<b>STANDARD PACKAGE</b>								
<b>CABLE CLAMPS—NATURAL NYLON</b>								
PLC1M-S4-C	Miniature	4 $\frac{3}{8}$ "	$\frac{3}{4}$ "	18 lbs.	#4 Screw	100	\$30.32	\$24.22
PLC1.5I-S8-C	Intermediate	6 $\frac{1}{8}$ "	1 $\frac{1}{4}$ "	30 lbs.	#8 Screw	100	33.58	26.83
PLC2S-S6-C	Standard	7 $\frac{7}{8}$ "	1 $\frac{3}{4}$ "	50 lbs.	#6 Screw	100	33.57	26.89
PLC2S-S10-C	Standard	7 $\frac{7}{8}$ "	1 $\frac{3}{4}$ "	50 lbs.	#10 Screw	100	34.25	27.44
PLC4H-S25-L	Heavy	15 $\frac{1}{4}$ "	4"	120 lbs.	$\frac{1}{4}$ " Screw	50	108.74	87.12
<b>PUSH-MOUNT TIES—NATURAL NYLON—LOCKING PUSH MOUNT</b>								
PLP1.5I-C	Intermediate	6 $\frac{1}{8}$ "	1 $\frac{1}{4}$ "	30 lbs.	—	100	34.28	27.38
PLP2S-C	Standard	7 $\frac{7}{8}$ "	1 $\frac{3}{4}$ "	50 lbs.	—	100	39.65	31.67
<b>MARKER TIES—NATURAL NYLON</b>								
PLM1M-C	Miniature	3 $\frac{3}{8}$ "	$\frac{3}{4}$ "	18 lbs.	—	100	32.78	26.26
PLM2M-C	Miniature	8"	2"	18 lbs.	—	100	47.42	37.88
PLF1M-C	Miniature	4 $\frac{3}{8}$ "	$\frac{3}{4}$ "	18 lbs.	—	100	32.78	26.26
PLM2S-C	Standard	7 $\frac{7}{8}$ "	1 $\frac{3}{4}$ "	50 lbs.	—	100	64.13	51.38
PLM4S-C	Standard	14 $\frac{1}{2}$ "	4"	50 lbs.	—	100	94.76	75.70
<b>MARKER TIES—WEATHER RESISTANT—BLACK—NYLON</b>								
PLM1M-CO	Miniature	3 $\frac{3}{8}$ "	$\frac{3}{4}$ "	18 lbs.	—	100	45.20	36.11
PLM2S-CO	Standard	7 $\frac{7}{8}$ "	1 $\frac{3}{4}$ "	50 lbs.	—	100	84.54	67.54

Cat. No.	Cross Section Size	Approx. Length	Maximum Bundle Dia.	Tensile Strength	Hole Size	Pkg. Qty.	Net Price Per 1000	
							1-999	1000-Up
<b>BULK PACKAGE</b>								
<b>CABLE TIES—NATURAL NYLON—ONE PIECE, SELF LOCKING</b>								
PLT.7M-M	Miniature	3 $\frac{3}{16}$ "	$\frac{17}{25}$ "	18 lbs.	—	1000	\$31.83	
PLT1M-M	Miniature	3 $\frac{7}{8}$ "	$\frac{3}{4}$ "	18 lbs.	—	1000	31.50	
PLT1.5M-M	Miniature	5 $\frac{5}{8}$ "	1 $\frac{1}{4}$ "	18 lbs.	—	1000	35.46	
PLT1.5I-M	Intermediate	5 $\frac{5}{8}$ "	1 $\frac{3}{8}$ "	40 lbs.	—	1000	40.46	
PLT2M-M	Miniature	8"	2"	18 lbs.	—	1000	41.24	
PLT2I-M	Intermediate	8"	2"	40 lbs.	—	1000	48.53	
PLT2S-M	Standard	7 $\frac{3}{8}$ "	1 $\frac{7}{8}$ "	50 lbs.	—	1000	49.97	
PLT3I-M	Intermediate	11 $\frac{1}{8}$ "	3"	40 lbs.	—	1000	93.75	
PLT3S-M	Standard	11 $\frac{1}{2}$ "	3"	50 lbs.	—	1000	113.52	
PLT4I-M	Intermediate	14 $\frac{1}{8}$ "	4"	40 lbs.	—	1000	112.70	
PLT4S-M	Standard	14 $\frac{1}{2}$ "	4"	50 lbs.	—	1000	121.97	
<b>CABLE TIES—ONE PIECE, SELF LOCKING—BLACK—WEATHER RESISTANT</b>								
PLT1M-MO	Miniature	3 $\frac{7}{8}$ "	$\frac{3}{4}$ "	18 lbs.	—	1000	36.26	
PLT1.5I-MO	Intermediate	5 $\frac{5}{8}$ "	1 $\frac{3}{8}$ "	40 lbs.	—	1000	46.49	
PLT2S-MO	Standard	7 $\frac{3}{8}$ "	1 $\frac{7}{8}$ "	50 lbs.	—	1000	57.45	
PLT3S-MO	Standard	11 $\frac{1}{2}$ "	3"	50 lbs.	—	1000	130.71	
PLT4S-MO	Standard	14 $\frac{1}{2}$ "	4"	50 lbs.	—	1000	140.27	
<b>CABLE CLAMPS—NATURAL NYLON</b>								
PLC1M-S4-M	Miniature	4 $\frac{3}{8}$ "	$\frac{3}{4}$ "	18 lbs.	#4 Screw	1000	211.64	
PLC1.5I-S8-M	Intermediate	6 $\frac{1}{8}$ "	1 $\frac{1}{4}$ "	30 lbs.	#8 Screw	1000	223.12	
PLC2S-S6-M	Standard	7 $\frac{7}{8}$ "	1 $\frac{3}{4}$ "	50 lbs.	#6 Screw	1000	247.66	
PLC2S-S10-M	Standard	7 $\frac{7}{8}$ "	1 $\frac{3}{4}$ "	50 lbs.	#10 Screw	1000	217.34	
<b>PUSH MOUNT TIES—NATURAL NYLON—LOCKING PUSH MOUNT</b>								
PLP1.5I-M	Intermediate	6 $\frac{1}{8}$ "	1 $\frac{1}{4}$ "	30 lbs.	—	1000	194.76	
PLP2S-M	Standard	7 $\frac{7}{8}$ "	1 $\frac{3}{4}$ "	50 lbs.	—	1000	231.97	

Cat. No.	Cross Section Size	Approx. Length	Maximum Bundle Dia.	Tensile Strength	Hole Size	Pkg. Qty.	Net Price Per 1000		
							1-4999	5000-9999	10000-Up
<b>BULK PACKAGE</b>									
<b>MARKER TIES—NATURAL NYLON</b>									
PLM1M-M	Miniature	3 $\frac{3}{8}$ "	$\frac{3}{4}$ "	18 lbs.	—	1000	\$176.46	\$156.46	\$147.05
PLM2M-M	Miniature	8"	2"	18 lbs.	—	1000	317.33	282.30	267.88
PLF1M-M	Miniature	4 $\frac{3}{8}$ "	$\frac{3}{4}$ "	18 lbs.	—	1000	175.85	155.92	146.54
PLM2S-D	Standard	7 $\frac{7}{8}$ "	1 $\frac{3}{4}$ "	50 lbs.	—	500	334.34	296.44	278.61
PLM4S-D	Standard	14 $\frac{1}{2}$ "	4"	50 lbs.	—	500	624.04	555.15	526.79
<b>MARKER TIES—WEATHER RESISTANT—BLACK—NYLON</b>									
PLM1M-MO	Miniature	3 $\frac{3}{8}$ "	$\frac{3}{4}$ "	18 lbs.	—	1000	321.06	285.62	271.02
PLM2S-DO	Standard	7 $\frac{7}{8}$ "	1 $\frac{3}{4}$ "	50 lbs.	—	500	512.62	454.58	435.24



ALL PCL MARKERS:  
BLACK LEGEND  
YELLOW BACKGROUND  
PCL200 (2" LEGEND)  
EACH MARKER: 2 1/4" x 7/8"  
(57.2 x 22.2MM)



PCL025 (1/4" LEGEND)  
EACH MARKER: 1/4" x 3/8"  
(6.4 x 9.5MM)



PCL300 (3" LEGEND)  
EACH MARKER: 3 1/2" x 1 1/2"  
(89 x 38.1MM)



PCL037 (3/8" LEGEND)  
EACH MARKER: 1 1/2" x 1/2"  
(8.7 x 12.7MM)



PCL100 (1" LEGEND)  
EACH MARKER: 1 1/2" x 7/8"  
(38.1 x 22.2MM)



PCL062 (5/8" LEGEND)  
EACH MARKER: 9/16" x 3/4"  
(14.3 x 19.1MM)

## LARGE LETTERS AND NUMBERS GMC1 VINYL CLOTH

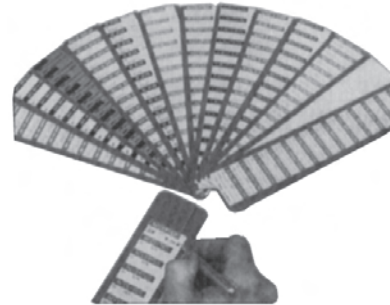
- Identify shelving, cable tray, racks, etc.
- On handy dispenser cards

Cat. No.	*	Legend	Net Price Per 100
<b>3/8" LEGEND</b>			
∅ PCL037-0 PCL037-1 thru PCL037-9	78	0 1 thru 9	\$216.01 216.01
∅ PCL037-A thru PCL037-Z	78	A thru Z	216.01
<b>1" LEGEND</b>			
∅ PCL100-0 PCL100-1 thru PCL100-9	10	0 1 thru 9	216.01 216.01
∅ PCL100-A thru PCL100-Z	10	A thru Z	216.01
<b>2" LEGEND</b>			
∅ PCL200-0 PCL200-1 thru PCL200-9	10	0 1 thru 9	332.47 193.35
∅ PCL200-A thru PCL200-Z	10	A thru Z	193.35

\*Markers per Legend per Card.

Cat. No.	*	Legend	Net Price Per 100
<b>3" LEGEND</b>			
∅ PCL300-0 PCL300-1 thru PCL300-9	6	0 1 thru 9	\$546.63 289.77
∅ PCL300-A thru PCL300-Z	6	A thru Z	546.63

\*Markers per Legend per Card.



<b>ACCEPTED</b>	BY _____ DATE _____
<b>BATCH NO.</b>	DATE _____
<b>CALIBRATION</b>	BY _____ DATE _____ DUE _____
<b>CAUTION</b>	

<b>DATE INSTALLED</b>	BY _____
<b>DO NOT USE</b>	
<b>HOLD FOR INSPECTION</b>	BY _____ DATE _____ REASON _____
<b>HOLD</b>	FOR _____
<b>REJECTED</b>	DATE _____ REASON _____ BY _____
<b>RETURN TO VENDOR</b>	BY _____ DATE _____ REASON _____
<b>RE-WORK</b>	DATE _____ BY _____ REASON _____

## INDUSTRIAL MARKERS GMC1 VINYL CLOTH PRE-TITLED WRITE ON MARKERS

- For quality control, OEM, maintenance, field service applications.
- Use ball point or marking pen to add pertinent information.
- Specially treated surface to insure legibility and performance.

Cat. No.	Legend	Colours		Net Price Per 100
		Legend	Bkgd.	
∅ PCWL-ACC	Accepted	Green	White	\$445.22
∅ PCWL-BL	—	(Blank)	White	454.17
∅ PCWL-BN	Batch No.	Blue	White	445.22
∅ PCWL-CAL	Calibration	Green	White	445.22
∅ PCWL-CAU	Caution	Black	White	445.22
∅ PCWL-DI	Date Installed	Black	White	428.10
∅ PCWL-DNU	Do Not Use	Red	White	445.22
∅ PCWL-HFI	Hold for Inspection	Blue	White	445.22
∅ PCWL-HLD	Hold	Black	Red	445.22
∅ PCWL-REJ	Rejected	Red	White	445.22
∅ PCWL-RTV	Return to Vender	Gold	White	445.22
∅ PCWL-RW	Re-Work	Black	Yellow	445.22

\*NOTE: Marker Size 3/8" x 1 1/2"

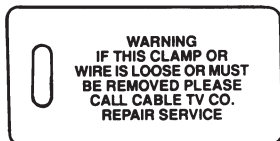
**CAUTION CAUTION CAUTION**  
**BURIED FIBER OPTIC CABLE**

### UNDERGROUND HAZARD TAPE

- Used to warn of buried utility lines
- Made of polyethylene film designed for direct burial—Will not biodegrade
- Non-adhesive

Cat. No.	Legend	Colour	Length	Width	Net Price
∅ HTDU20-T*	CAUTION CAUTION CAUTION TELEPHONE LINE BURIED BELOW	Orange	1000'	2"	\$154.25
∅ HTDU20-FO*	CAUTION CAUTION CAUTION BURIED FIBER OPTIC CABLE	Orange	1000'	2"	154.25
∅ HTDU30-T*	CAUTION CAUTION CAUTION TELEPHONE LINE BURIED BELOW	Orange	1000'	3"	222.79
∅ HTDU30-FO	CAUTION CAUTION CAUTION BURIED FIBER OPTIC CABLE	Orange	1000'	3"	222.79
∅ HTU60-T	CAUTION CAUTION CAUTION TELEPHONE LINE BURIED BELOW	Orange	1000'	6"	110.13
∅ HTDU60-T*	CAUTION CAUTION CAUTION TELEPHONE LINE BURIED BELOW	Orange	1000'	6"	428.47
∅ HTU60-FO	CAUTION CAUTION CAUTION BURIED FIBER OPTIC CABLE	Orange	1000'	6"	110.13
∅ HTDU60-FO*	CAUTION CAUTION CAUTION BURIED FIBER OPTIC CABLE	Orange	1000'	6"	428.47

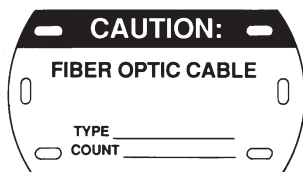
\*Detachable.



### GROUND WARNING TAG

Cat. No.	Legend	Net Price
∅ PT-TGND	(*) TELEPHONE COMPANY	\$43.12

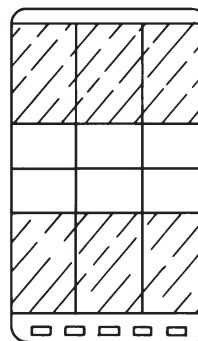
Legend: Black. Bkgrd: Yellow.  
Standard Pkg. = 1 (100 tags per package).



### FIBER OPTIC CABLE MARKER TAG

Cat. No.	Legend	Net Price
∅ PST-FO	CAUTION: FIBER OPTIC CABLE TYPE COUNT	\$11.87

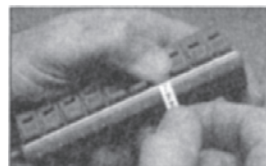
Legend: Black. Bkgrd: Yellow.  
Standard Pkg. = 1 (5 tags per package).



### VINYL SELF-LAMINATING WRITE-ON CABLE MARKER BOOKS

Cat. No.	Write-On Area Colour	Write-On Area L x W	Total Marker Size L x W	Total Markers Per Pkg.	Net Price
<b>BOOKS - 10 PAGES/BOOK; 1 BOOK/PKG.</b>					
PSCB-12	WHITE	5/8" x 1/2"	1 1/2" x 1/2"	180	\$29.91
PSCB-3	WHITE	3/4 x 1"	3" x 1"	60	29.91
PSCB-3-GRN	GREEN	3/4 x 1"	3" x 1"	60	29.91
PSCB-3-YEL	YELLOW	3/4 x 1"	3" x 1"	60	29.91
PSCB-13	WHITE	3/4" x 1 1/2"	3" x 1 1/2"	40	29.91
PSCB-5	WHITE	1" x 1"	5" x 1"	30	29.91
PSCB-6	WHITE	1" x 1"	6" x 1"	30	29.91
PSCB-6-GRN	GREEN	1" x 1"	6" x 1"	30	24.44
PSCB-16	WHITE	1" x 1 1/2"	6" x 1 1/2"	20	29.91

\*Combination Pkg. (2) Pages Each: Black, Blue, Green, Red, Yellow. Lamination Colour: Clear.



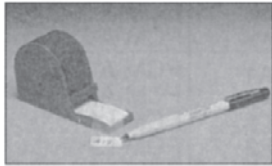
### PANDUIT WIRE MARKER TAPE DISPENSERS

Loads quickly and easily. Allows tape to be cut to various lengths. PMDR-Polyester Film -40° to 266°F; In/Outdoor.

Cat. No.	Legend	Pkg. Qty.	Net Price Each		
			1-9	10-24	25-Up
∅ PMD	Empty Dispenser	1	\$16.46	\$14.85	\$13.53
∅ PMD-0-9	0 thru 9 in Dispenser	1	46.79	42.22	38.45

### TAPE—UNIVERSAL SPOOL SIZE

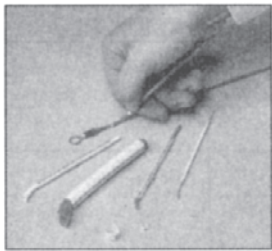
Cat. No.	Legend	Pkg. Qty.	Net Price Each		
			1-99	100-249	250-Up
∅ PMDR-A	A thru Z	10	\$2.56	\$2.30	\$2.04
∅ PMDR-Z	Z	10	2.56	2.30	2.04
∅ PMDR-0	0	10	2.56	2.30	2.04
∅ PMDR-1 thru	1 thru 9	10	2.56	2.30	2.04
∅ PMDR-9	9	10	2.56	2.30	2.04
∅ PMDR-0-9	0 thru 9 thru	1	25.78	20.53	20.53
∅ PMDR-90-99	90 thru 99	1	25.78	23.15	20.53



## PANDUIT WIRE MARKER TAPE DISPENSER KIT

Kit comes with Dispenser, Pen and Tape.

Cat. No.	Description	Pkg. Qty.	Net Price Each		
			1-4	5-24	25-Up
<b>COMPLETE KITS</b>					
PLD-1	With PLDR-1 Tape	1	\$33.27	\$29.88	\$26.49
PLD-2	With PLDR-2 Tape	1	33.27	29.88	26.49
<b>REPLACEMENT TAPE</b>					
PLDR-1	1.5" x 1" for cable O.D. up to 1/4". Write-on area 3/8" x 1". (200 Markers/Roll)	1 Roll	23.16	20.80	18.44
PLDR-2	3" x 1" for cable O.D. up to 11/16". Write-on area 3/8" x 1". (200 Markers/Roll)	1 Roll	23.16	20.80	18.44



## PANDUIT CLIP-ON WIRE MARKERS

Easy to install—markers snap on wire. Can be removed and reused. Supplied on application wand. PAC-Rigid Acetal -22° to 194°F; In/Outdoor.

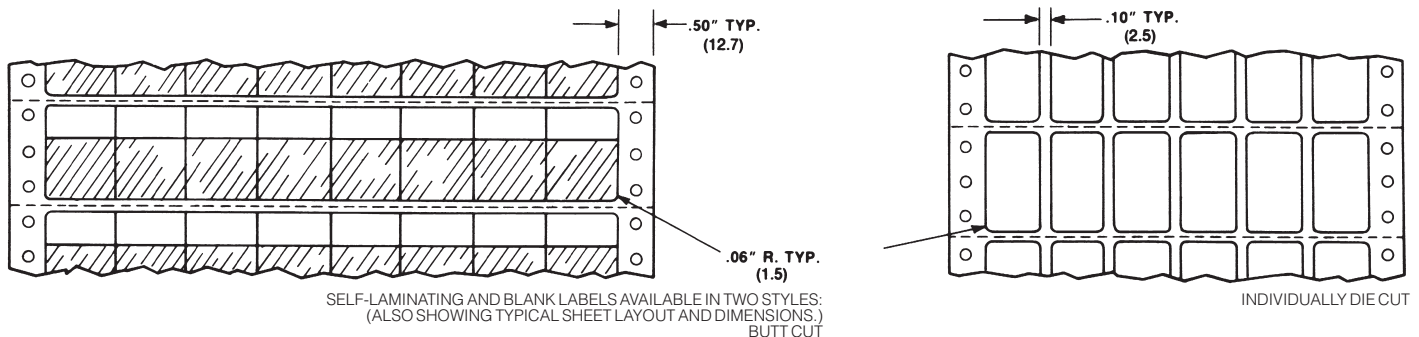
### REPLACEMENT WIRE MARKERS

Cat. No.	Wire Range Inches	Markers Per Wand	Wands Per Package
07	.075 - .098	30	10
11	.110 - .130	30	10
13	.130 - 150	30	10
18	.185 - 2340	30	10
23	.234 - .267	15	4
36	.360 - 450	15	4
45	.453 - 617	15	4

NOTE: Replace 07 in Cat. No. with 11, 13, 18, 23, 36, 45 for different wire ranges. ex.: PCA07-A, PCA11-A, PCA13-A, etc.

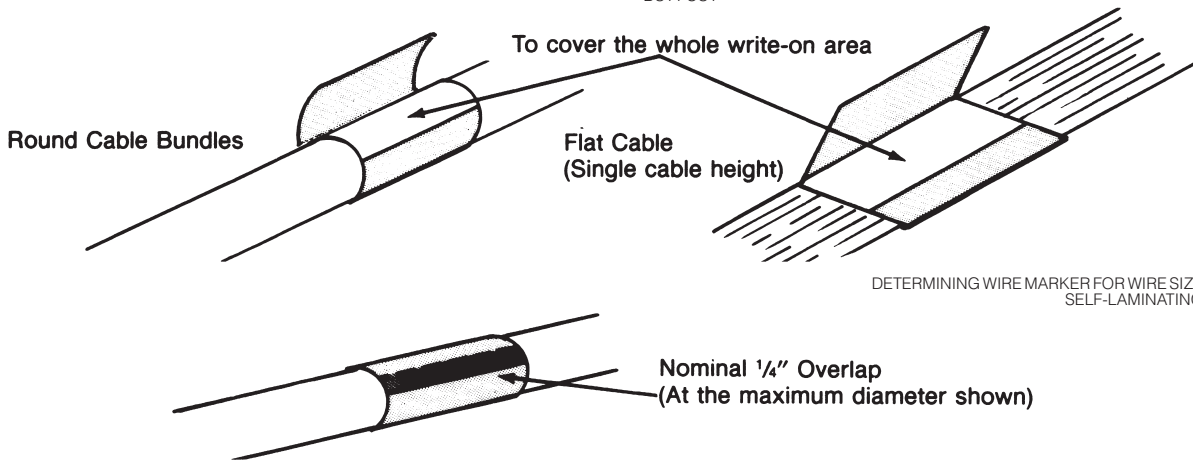
Cat. No.	Legend	Pkg. Qty.	Net Price Each		
			1-9	10-99	100-Up
PCA07-A	A Thru Z	1	\$26.00	\$23.35	\$20.70
PCA07-Z	Z	1	26.00	23.35	20.70
PCA07-0	0	1	26.00	23.35	20.70
PCA07-1	1 thru 9	1	26.00	23.35	20.70
PCA07-9	9	1	26.00	23.35	20.70
PCA07-PLS	+	1	26.00	23.35	20.70
PCA07-MIN	-	1	26.00	23.35	20.70

# Identification Products



SELF-LAMINATING AND BLANK LABELS AVAILABLE IN TWO STYLES: (ALSO SHOWING TYPICAL SHEET LAYOUT AND DIMENSIONS.) BUTT CUT

INDIVIDUALLY DIE CUT



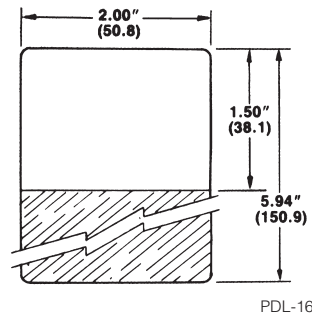
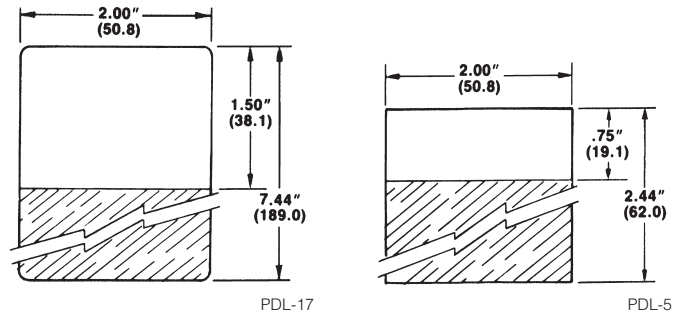
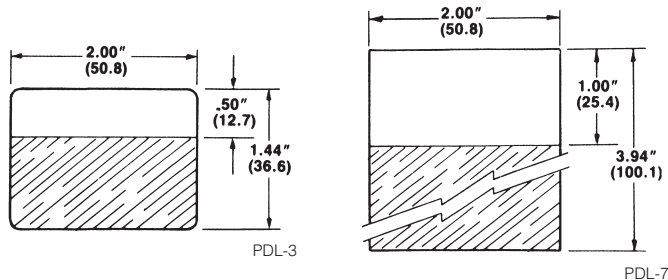
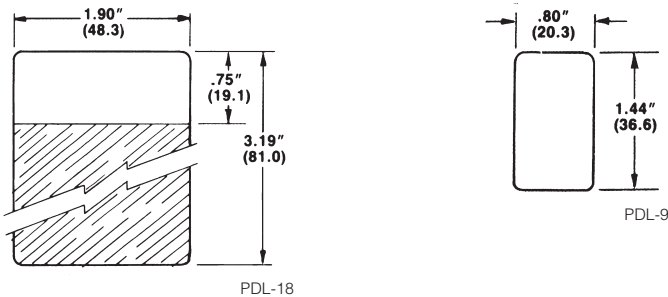
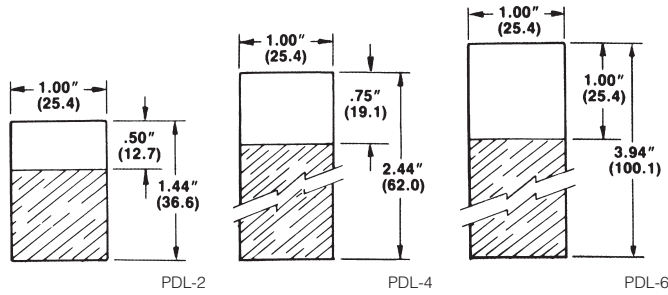
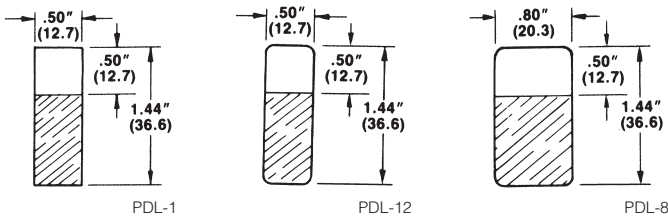
DETERMINING WIRE MARKER FOR WIRE SIZE SELF-LAMINATING

WIRE MARKERS

Continued on next page....

## MATERIAL SELECTION

Material	Used with Part No. Prefix.	Description	Temp. Range	Minimum Appl. Temp.	Adhesion (to Steel) /In. Width	Nom. Thickness	Use
GMC Vinyl Cloth	PDL	General purpose material. Impregnated vinyl. Ink receptive coating.	-40°F(-40°C) to 250°F(121°C)	40°F(4°C)	40 oz.	10.0 Mil	Indoor
GMV Polyester Film	PDL	Mylar film for durability, high temperature and dimensional stability.	-40°F(-40°C) to 275°F(135°C)	50°F(10°C)	40 oz.	2.0 Mil	Indoor/Outdoor
GMT Polyvinylfluoride Film	PDL	TEDLAR® film for high quality labels. Can be used in high temperature applications.	-40°F(-40°C) to 275°F(135°C)	50°F(10°C)	40 oz.	3.0 Mil	Indoor/Outdoor
GMV Vinyl Film	PDL	High quality indoor film. Resistant. Durable.	-40°F(-40°C) to 176°F(80°C)	40°F(4°C)	40 oz.	5.0 Mil	Indoor



### BLANK PIN-FED LABELS

Identify I.C.'s, eproms, circuit boards, etc. as well as using to identify round cable or wire bundles.

### EDP PRINTABLE LABELS SELF-LAMINATING BLANK PIN-FED LABELS

Cat. No.	Material	Style	Labels per Row	Rows per Fanfold	Sheet Width	Pkg. Qty.	Net Price Per 1000
<b>FOR WIRE O.D. UP TO 3/16" FOR FLAT CABLE UP TO 7/16"</b>							
PDL-1	GMW	Butt Cut	16	8	9.00"	5000	\$36.23
PDL-12	GMW	Die Cut	12	8	8.10"	5000	54.83
PDL-8	GMW	Die Cut	6	8	6.30"	5000	67.76
PDL-2	GMW	Butt Cut	8	8	9.00"	5000	68.57
PDL-3	GMW	Die Cut	4	8	9.00"	5000	127.11

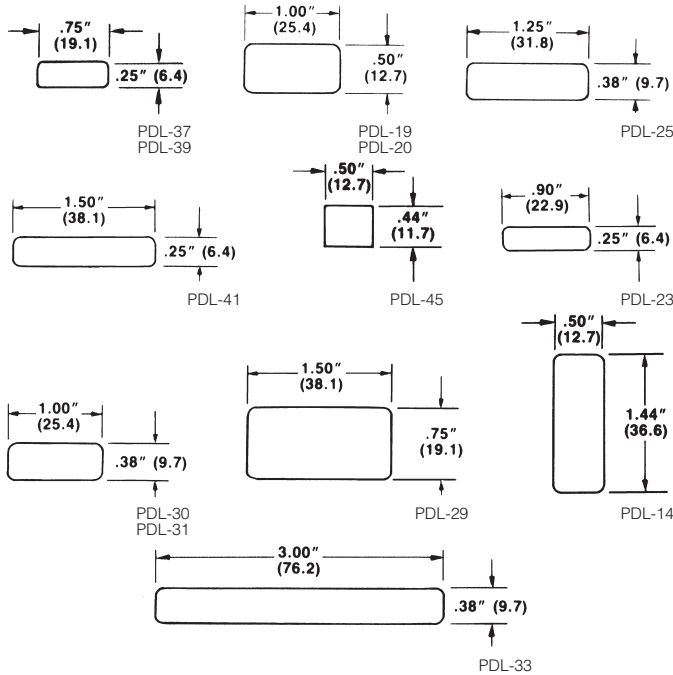
<b>FOR WIRE O.D. UP TO 9/16" FOR FLAT CABLE UP TO 3/4"</b>							
PDL-4	GMW	Butt Cut	8	4	9.00"	1000	127.61
PDL-5	GMW	Butt Cut	4	4	9.00"	1000	280.85

<b>FOR WIRE O.D. UP TO 1" FOR FLAT CABLE UP TO 1 1/8" WIDE</b>							
PDL-6	GMW	Butt Cut	8	3	9.00"	1000	302.15
PDL-7	GMW	Butt Cut	4	4	9.00"	1000	412.28

<b>FOR WIRE O.D. UP TO 7/8" FOR FLAT CABLE UP TO 1 1/8" WIDE</b>							
PDL-18	GMW	Die Cut	4	3	9.50"	1000	265.72

<b>FOR WIRE O.D. UP TO 1 1/16" FOR FLAT CABLE UP TO 2 1/8" WIDE</b>							
PDL-16	GMW	Die Cut	6	2	13.50"	1000	541.49

<b>FOR WIRE O.D. UP TO 1 7/8" FOR FLAT CABLE UP TO 2 7/8" WIDE</b>							
PDL-17	GMW	Die Cut	4	1	9.40"	1000	588.38



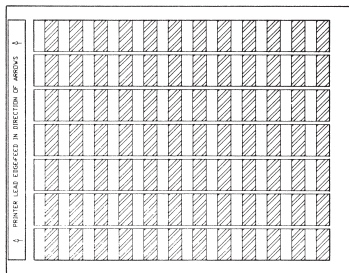
## SELF-LAMINATING PIN-FED LABELS

Protect your legend from water, grease, oil or solvents. Use on round bundles or flat cables.

### EDP PRINTABLE LABELS BLANK PIN-FED LABELS

Cat. No.	Material	Style	Labels per Row	Rows per Fanfold	Sheet Width	Pkg. Qty.	Net Price Per 1000
PDL-45	GMC	Butt Cut	16	24	9.00"	5000	\$25.40
PDL-14	GMY	Die Cut	12	8	8.10"	5000	42.98
PDL-37	GMC	Die Cut	9	36	9.00"	5000	35.58
PDL-39	GMY	Die Cut	9	36	9.00"	5000	31.01
PDL-9	GMC	Die Cut	6	8	6.30"	5000	108.91
PDL-23	GMT	Die Cut	10	36	10.90"	5000	24.92
PDL-30	GMC	Die Cut	7	24	8.60"	5000	52.79
PDL-31	GMY	Die Cut	7	24	8.60"	5000	55.59
PDL-19	GMC	Die Cut	7	18	8.60"	5000	55.87
PDL-20	GMY	Die Cut	7	18	8.60"	5000	44.25
PDL-25	GMT	Die Cut	7	24	10.75"	5000	56.62
PDL-41	GMC	Die Cut	4	36	8.00"	5000	64.66
PDL-29*	GMY	Die Cut	4	12	7.62"	5000	79.22

\*Note all Labels are White in Colour except for PDL-29 which is Silver.



STYLE SL: SELF-LAMINATING  
(CLEAR WITH WHITE PRINT-IN AREA)

## LASER PRINTER LABELS

Produce high resolution legends on your laser printer.

- Labels are on 8 1/2" x 11" carriers for use in most laser printers and plain paper copiers
- Made of a polyester (mylar) film which can be used in a variety of applications (indoor/outdoor, higher temperature - up to 275°F)
- This carrier will allow stacking of sheets
- Labels have a strong adhesion rating. (40 oz/in. width) (to steel)

Material: Polyester Film

Cat. No.	Label Style	Colour	Total Label W x L	Labels per Sheet	Shts. per Pkg.	Net Price Per 1000
<b>BLANK LABELS</b>						
PDL-1-Y2-10	BL	White	.30 x .25	836	12	\$24.55
PDL-1-Y2Y-10	BL	Yellow	.30 x .25	836	12	25.04
PDL-2-Y2-10	BL	White	.38 x .38	400	25	19.85
PDL-2-Y2Y-10	BL	Yellow	.38 x .38	400	25	19.85
PDL-4-Y2Y-10	BL	Yellow	.65 x .25	390	26	18.69
PDL-20-Y2-10	BL	White	.80 x .20	360	28	33.34
PDL-20-Y2Y-10	BL	Yellow	.80 x .20	360	28	28.83
PDL-5-Y2-10	BL	White	.80 x .25	312	33	33.34
PDL-5-Y2Y-10	BL	Yellow	.80 x .25	312	33	37.51
PDL-6-Y2-10	BL	White	.80 x .50	152	66	50.81
PDL-7-Y2-10	BL	White	1.00 x .25	273	37	34.21
PDL-7-Y2Y-10	BL	Yellow	1.00 x .25	273	37	26.64
PDL-8-Y2-10	BL	White	1.00 x .38	175	58	53.28
PDL-9-Y2-10	BL	White	1.00 x .50	133	76	55.12
PDL-9-Y2Y-10	BL	Yellow	1.00 x .50	133	76	55.12
PDL-14-Y2-10	BL	White	1.50 x .25	195	52	30.08
PDL-16-Y2-5	BL	White	1.88 x .38	100	50	55.11
PDL-17-Y2-2.5	BL	White	1.88 x .83	44	57	100.95
PDL-18-Y2-1.5	BL	White	1.88 x 1.33	28	54	154.09
PDL-18-Y2Y-1.5	BL	Yellow	1.88 x 1.33	28	54	160.64
PDL-19-Y2-2.5	BL	White	3.00 x .38	50	50	91.38

## PANDUIT SELF-LAMINATING THERMAL TRANSFER LABELS

### GMV3 SELF-LAMINATING VINYL—INDOOR APPLICATIONS

FEATURES: General purpose self-laminating labels. Colour: White. APPLICATIONS: Laboratory and health care. Wire and cable identification.

Cat. No.	Label Size W x L Inches	Nominal Cable O.D. Inches	Pkg. Qty.	Net Price Per 1000
TTSL8VC3-5	0.50 x 0.75	0.10		\$23.26
TTSL1VC3-5	0.50 x 1.50	0.16-0.32		33.72
TTSL247VC3-5	0.80 x 0.94	0.12-0.18		29.32
TTSL9VC3-5	1.00 x 0.75	0.12		39.76
TTSL2VC3-5	1.00 x 1.50	0.16-0.32		61.04
TTSL4VC3-5	1.00 x 2.44	0.32-0.46	5,000	106.38
TTSL6VC3-2.5	1.00 x 3.94	0.32-0.94	2,500	136.59
TTSL3VC3-1	2.00 x 1.50	0.16-0.32	1,000	280.23
TTSL7VC3-1	2.00 x 3.94	0.32-0.94	1,000	364.06

ELECTRO SONIC HAS THE LARGEST AND MOST KNOWLEDGEABLE SALES STAFF IN CANADA. LET THEM ASSIST YOU TODAY.

MOVING? CHANGING JOBS? PLEASE LET US KNOW TO KEEP OUR RECORDS UP TO DATE AND KEEP YOU INFORMED.

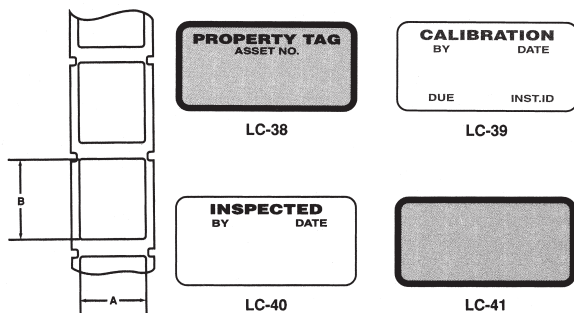


## PANDUIT LS3E HAND HELD PRINTER

**FEATURES:** Prints wire markers and labels in widths from 1/4" to 1-1/2" in a variety of materials, including self-laminating vinyl, vinyl cloth, and heat shrink tubing. Versatile way to identify wires, cables, terminal blocks, and components.

### PRINTER AND ACCESSORIES

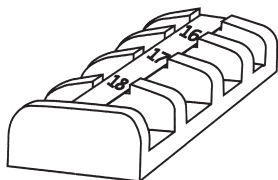
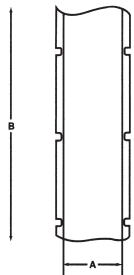
Cat. No.	Description	Net Price
LS3E	Includes printer, battery pack, battery charger, printer ribbon, wrist strap, and operators manual.	\$629.00
LS3EKIT	Includes all components of LS3E printer shown above plus LS3EAK-S AC adapter and carrying case.	749.00
LS3-RIB	Replacement printer ribbon.	17.94
LS3E-BP	Replacement battery pack.	134.86
LS3EC-S	Replacement battery charger.	76.44
LS3E-MAN-A	Replacement operators manual (English).	21.65
LS3EACS	1 each: universal AC adapter, battery charging pack and power cord; to power LS3E directly from power outlet and charge battery pack at the same time.	194.65
LS3EAKS	1 each: universal AC adapter and power cord; to power LS3E directly from power outlet.	103.74
LS3-BS	Optional belt strap.	98.91
LS3CASE	Optional carrying case.	57.41



## LS3E HAND-HELD PRINTER ASSET/QUALITY ASSURANCE LABELS

**MATERIAL:** LC-38 and LC-41: Polyester. LC-39 and LC-40: Vinyl cloth.

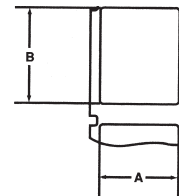
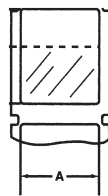
Cat. No.	Label Code	Width A Inches	Length B Inches	Colour (Legend/Background)	Labels Per Row	Net Price Per Roll
LC-38	3611	1.50	0.75	Black/Silver	250	\$63.12
LC-39	3811	1.50	0.75	Green/White	250	63.12
LC-40	3813	1.50	0.75	Black/White	250	63.12
LC-41	3617	1.50	0.75	Black/Silver	250	43.32



## LS3E HAND-HELD PRINTER TERMINAL BLOCK LABELS

Used to make on-demand terminal block label strips. 35 ft. (10.7mm) continuous roll. **MATERIAL:** White vinyl cloth.

Cat. No.	Label Code	Width A Inches	Length B Inches	Labels Per Row	Net Price Per Roll
LC-14	0900	0.31	35	1	\$39.61
LC-15	1000	0.38	35	1	39.79



LWS-11P

LC-6

## LS3E HAND-HELD PRINTER LAMINATED LABEL

Print and apply top white label and overlaminates with clear bottom label. Label Code: 3819. Labels per roll: 100. **MATERIAL:** GMV3 Vinyl.

Cat. No.	Print-On Label Size A x B Inches	Overlaminates Label Size A x C Inches	Normal Text**		Net Price Per Roll
			Lines Per Label	Characters Per Line	
LWS-11P	1.50 x 0.75	1.50 x 1.75	5	16	\$34.87

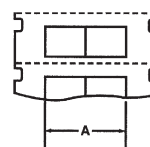
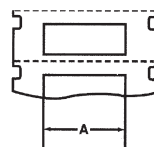
\*\*Similar information for other text sizes provided in LS3E manual.

## LS3E HAND-HELD PRINTER COMPONENT LABELS

Available in a wide range of sizes. **MATERIAL:** White vinyl cloth.

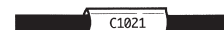
Cat. No.	Label Code	Width A Inches	Length B Inches	Normal Text**		Labels Per Roll	Net Price Per Roll
				Lines Per Label	Characters Per Line		
LC-6	1307	0.50	0.28	1	4	500	\$29.74
LC-3	1313	0.50	0.50	3	4	500	37.99
LC-7	2507	1.00	0.28	1	10	500	34.13
LC-9	2510	1.00	0.40	2	10	500	42.55
LC-10	2513	1.00	0.50	3	10	500	42.53
LC-4	2519	1.00	0.75	5	10	250	29.71
LC-2	2525	1.00	1.00	7	10	250	32.31
LC-8	3807	1.50	0.28	1	16	500	38.81
LC-11	3813	1.50	0.50	3	16	500	47.79
LC-5	3819	1.50	0.75	5	16	250	27.46
LC-1	3832	1.50	1.25	9	16	250	41.03

\*\*Similar information for other text sizes provided in LS3E manual.



Standard

Butt-Cut



## LS3E HAND-HELD PRINTER WIRE MARKER LABELS HEAT SHRINK TUBING FOR PERMANENT WIRE AND CABLE IDENTIFICATION

Service temperature range: -22°F to 220°F (-30°C to 105°C). Shrink Ratio: 3:1 @ 212°F (100°C). Flammability: Meets U.L. Standard 224 for flammability. Colour: White. **MATERIAL:** Flattened Polyolefin.

Cat. No.	Label Code	Width A Inches	Markers Per Row	Normal Text**		Markers Per Roll	Net Price
				Lines Per Label	Characters Per Line		
<b>OUTSIDE CABLE DIAMETER RANGE—0.04"—0.13"</b>							
LHSW-1	T206	0.50*	2	1	4	200	\$28.71
LHSW-2	T106	1.00	1	1	10	100	29.23
<b>OUTSIDE CABLE DIAMETER RANGE—0.06"—0.19"</b>							
LHSW-6	T208	0.50*	2	2	4	200	43.60
LHSW-7	T108	1.00	1	2	10	100	47.94
<b>OUTSIDE CABLE DIAMETER RANGE—0.08"—0.25"</b>							
LHSW-3	T211	0.50*	2	2	4	200	39.52
LHSW-4	T111	1.00	1	2	10	100	39.52
<b>OUTSIDE CABLE DIAMETER RANGE—0.17"—0.50"</b>							
LHSW-5	T121	1.00	1	5	10	100	67.76

\*Denotes but-cut label, 2 half-wide marker strips.

\*\*Similar information for other text sizes provided in LS3E manual. Comes in yellow also, add suffix Y in place of W in Cat. No. ex: LHSY-1.

# Panduit Lockout/Tagout Products



## LAMINATED STEEL PADLOCKS COLOUR CODED BUMPER

Laminated steel, pin tumbler lock. Double-locking, case-hardened steel shackle. Bumper colour identifies the department or an individual depending on the operation size. Each lock is provided with two keys. 3/8" diameter shackle.

Cat. No.	Description	Net Price
<b>3/4" SHACKLE</b>		
PSL-3BLUE	Lock with Blue Bumper	\$14.76
PSL-3BLACK	Lock with Black Bumper	14.76
PSL-3GREEN	Lock with Green Bumper	14.76
PSL-3RED	Lock with Red Bumper	14.76
PSL-3WHITE	Lock with White Bumper	14.76
PSL-3YELLOW	Lock with Yellow Bumper	14.76



## LOCKOUT HASPS

More than one worker can lockout the same energy source for added safety. Three styles available. Solid steel construction. Heavy duty hasps have tamper-proof design to eliminate vandalism.

Cat. No.	Description	Net Price
PSL-1	Hasp with 1" Dia. Jaw and Overlapping Tabs (6 padlocks max.)	\$8.34
PSL-1A	Hasp with 1" Diameter Jaw (6 padlocks max.)	10.24
PSL-1.5A	Hasp with 1 1/2" Diameter Jaw (6 padlocks max.)	12.30



## UNIVERSAL CIRCUIT BREAKER LOCKOUT

Individual circuit breakers can be locked in off position without locking out the entire panel.

- For locking out electrical supply controlled by a circuit breaker.
- Compact, universal design fits wide range of single, double and triple handle circuit breakers.
- Easily attached with no modifications to panel or circuit breaker.
- Does not require hole in circuit breaker handle.

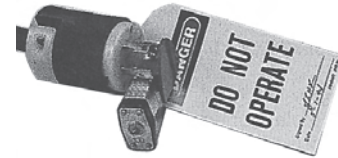
Cat. No.	Description	Net Price
PSL-CB	Lockout for single, double, and triple pole circuit breakers with .30" - .60" high and .25" - .44" thick switches.	\$18.12



## SELF-LAMINATING PADLOCK LABELS

Used to identify employees' locks. Employees sign the label, attach it to a padlock, and over-wrap with the clear vinyl to protect the legend. Available in six colours for departmental coding.

Cat. No.	Description	Size	Net Price Per 100
PSL-PL1BLU	Blue Padlock Label	3/4" x 10"	\$161.48
PSL-PL1BLK	Black Padlock Label	3/4" x 10"	161.48
PSL-PL1GRN	Green Padlock Label	3/4" x 10"	161.48
PSL-PL1RED	Red Padlock Label	3/4" x 10"	161.48
PSL-PL1WHT	White Padlock Label	3/4" x 10"	161.48
PSL-PL1YEL	Yellow Padlock Label	3/4" x 10"	161.48



## PLUG LOCKOUTS

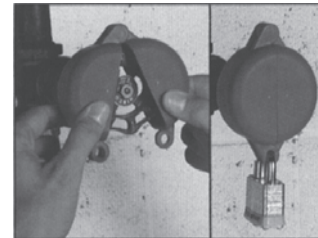
Place PSL-P Lockout through the hole in blade of plug.

Insert padlock shackle through both holes in the lockout and lock padlock.

Verify that lockout cannot be removed from plug and that plug blades cannot be inserted into a receptacle. Add safety tag.

Prevents a plug from being plugged in.

Cat. No.	Description	Net Price
PSL-P	Lockout for a wide range of 110 volt and industrial plug applications. Requires a hole in the blade of plug. Use with lock with 2" shackle.	\$14.49

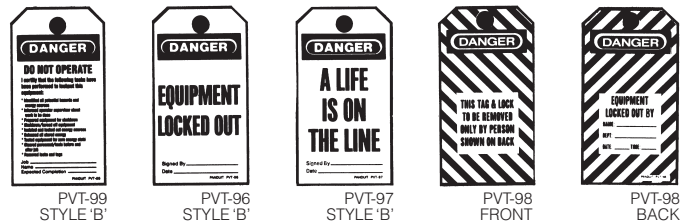


SLIP LOCKOUT OVER VALVE HANDLE AND ATTACH PADLOCK.

## GATE VALVE LOCKOUTS

Prevents valve handle from being turned. Four colours in five sizes to fit valve handles from 1" to 13". Fast and easy to apply. Locks must have a 3/16" or smaller shackle diameter with a 1" or greater shackle clearance.

Cat. No.	Colour	Valve Handle Size	Net Price
PSL-V2	Red	1" to 2 1/2"	\$18.99
PSL-V4	Red	2 1/2" to 5"	31.79



## WRITE-ON SAFETY TAGS

15 mil rigid vinyl with write-on surface; accepts pen, pencil or marker pens. These tags feature a 3/8" diameter brass grommet for greater strength. The tag can be attached with a lockout device or with a Panduit PLT2S nylon tie supplied with each tag. Size 3" x 5 1/4". Colour: Header: Red, Black and White. Legend: Black.

Cat. No.	Description	# of Tags per Pack	Net Price
PVT-96	Equipment Locked Out	5	\$12.84
PVT-97	A Life Is On The Line	5	12.84
PVT-98	Equipment Locked Out By	5	12.84
PVT-99	Do Not Operate. I certify that the following tasks have been performed to lockout this equipment.	5	12.84



### OVERSIZED BREAKER LOCKOUT DEVICE

Oversized 480/600 volt frame lockout fits breakers up to 2-1/2" wide by 7/8" thick.

Cat. No.	Quantity	Net Price
65329	1/pkg.	\$16.30
65321	6/pkg.	92.60



### "NO HOLE" CIRCUIT BREAKER LOCKOUT

Covering a breaker with a piece of duct tape to "lock it out" isn't safe or effective and certainly doesn't satisfy OSHA. The Brady "No Hole" circuit breaker lockout device gives you a new level of safety and compliance. **FEATURES:** Enhanced device will lock out most single pole circuit breakers (including most Federal Pacific breakers). Easy to install. Provides secure locking protection. Accepts up to 9/32" shackle diameter lock. Fits wider and thicker tongue switches: 277-13/20" wide by 23/50" thick; 480/600-15/8" wide by 11/20" thick. Patent no. 5,122,624.

Cat. No.	Description	Quantity	Net Price
65396	277 volt device	1/pkg.	\$11.60
65965	277 volt device	6/pkg.	62.50
65397	480/600 volt device	1/pkg.	12.90
65966	480/600 volt device	6/pkg.	70.10



### CABLE LOCKOUT DEVICE

The cable lockout device enables you to lock out several disconnects in various energy distribution centres. Flexible, cost-effective cable locks out gate valves of all sizes and may also be used to lock out multiple valves all with one device. Lighter than chains, device is easy to carry and easy to use. Ideal for security use as well. Cable is made of galvanized steel and is 1/8" diameter.

#### CABLE LOCKOUT DEVICE WITH 6 FT. CABLE

Cat. No.	Colour	Net Price
65318	Red	\$60.20
45191	Blue	60.20
45192	Yellow	60.20

#### ADDITIONAL CABLES\*

Cat. No.	Description	Net Price
65319	8 ft. cable	\$15.90
65320	10 ft. cable	18.60

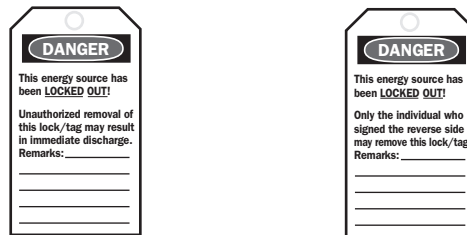
\*Cable lockout device cables  
Custom length cables available in 2' increments.  
Contact your Electro Sonic sales representative to find out more.



TAG 1 TAG 2 TAG 3 TAG 4



TAG 5 TAG 6 TAG 7 TAG 8



REVERSE SIDE 1 REVERSE SIDE 2

### LOCKOUT TAGS

Cat. No.	Tag Number	Reverse Side Option	Net Price Per Pkg. of 25
<b>HEAVY DUTY POLYESTER (B-837)</b>			
65502	1	1	\$58.30
65535	1	1	58.30
65503	2	1	58.30
65521	2	2	58.30
65504	3	1	58.30
65522	3	2	58.30
65505	4	1	58.30
65523	4	2	58.30
65506	5	1	58.30
65534	5	2	58.30
65515	6	1	58.30
65524	6	2	58.30
65520	7	1	58.30
65525	7	2	58.30
65526	8	1	58.30
65527	8	2	58.30
<b>ECONOMY POLYESTER (B-851)</b>			
66050	1	1	45.80
66051	1	2	45.80
66053	2	1	45.80
66054	2	2	45.80
66055	3	1	45.80
66056	3	2	45.80
66057	4	1	45.80
66058	4	2	45.80
66059	5	1	45.80
66060	5	2	45.80
66061	6	1	45.80
66062	6	2	45.80
66063	7	1	45.80
66064	7	2	45.80
66066	8	1	45.80
66067	8	2	45.80

Continued on next page...

Cat. No.	Tag Number	Reverse Side Option	Net Price Per Pkg. of 25
<b>CARDSTOCK (B-853)</b>			
65407	1	1	\$18.20
65408	1	2	18.20
65441	2	1	18.20
65542	2	2	18.20
65443	3	1	18.20
65444	3	2	18.20
65445	4	1	18.20
65446	4	2	18.20
65447	5	1	18.20
65448	5	2	18.20
65449	6	1	18.20
65450	6	2	18.20
65451	7	1	18.20
65452	7	2	18.20
65454	8	1	18.20
65455	8	2	18.20



### POLYESTER TAGS

Cat. No.	Description	Net Price
86455	B851 Economy Polyester Blank Danger Tag	\$32.50
86456	B851 Economy Polyester Blank Caution Tag	32.50

**EMERGENCY  
EXIT ONLY**

### EXIT SIGNS

Cat. No.	Description	Net Price
69199	Dir/Exit N/H 10 x 14 Emergency Exit Only	\$23.56
84673	Dir/Exit N/H Sign 7 x 10 Exit	7.45



### 10+ BRADY-GLO PHOTOLUMINESCENT (GLOW IN THE DARK) SIGNS

Cat. No.	Description	Size	Net Price
<b>SELF STICKING</b>			
80162	Fire extinguisher (w/arrow pointing down)	14 x 10	\$27.90
80202	Arrow pointing right	5 x 14	14.60
80215	Exit (w/border)	7 x 10	16.30
73509	Exit	7 x 10	16.63
73510	Exit	10 x 14	27.90
73513	Exit (w/border)	10 x 14	27.90
73531	Fire extinguisher (inside arrow pointing down)	14 x 5	9.75
80241	Fire extinguisher (on arrow pointing down)	14 x 5	14.60

### PLASTIC

87807	Exit (non-electric) frameless single sided	7.5 x 13	114.55
-------	--	----------	--------

### PLASTIC/STEEL

90885	Exit (non-electric) wall mounted single sided	8 x 15	218.36
-------	---	--------	--------



### ELECTRICAL SIGNS

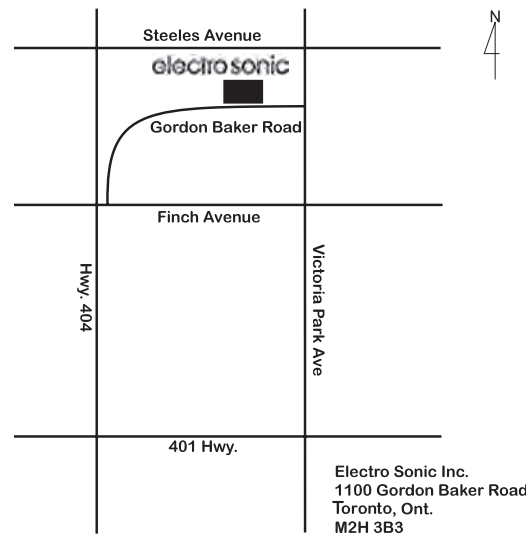
Cat. No.	Description	Size	Net Price
<b>SELF STICKING</b>			
87754	Electrical Equipment	3.5 x 5	\$2.75
84875	High Voltage	3.5 x 5	2.75
88304	(Graphic) lock out	2.25 x 4.5	3.16
88302	(Graphic) lock out	2.25 x 4.5	3.16
88497	(Electrical picto)	10 x 10	9.08
88427	(No smoking picto)	10 x 7	7.45
<b>FIBRE GLASS</b>			
70602	Authorized personnel only	10 x 14	23.56
69097	Do not enter	10 x 14	23.56
47005	High voltage	10 x 14	23.56



Part's indicated with a leaf symbol are considered RoHS July 2006 compliant based on the manufacturer's confirmation at the time of publishing. For additional information please contact Electro Sonic.

# SALES COUNTER LOCATION

TORONTO, ONTARIO



Electro Sonic Inc.  
1100 Gordon Baker Road  
Toronto, Ont.  
M2H 3B3

HOURS: MON-FRI 8:00 am to 5:00 pm  
SAT (Sept. to May) 9:00 am to 2:00 pm