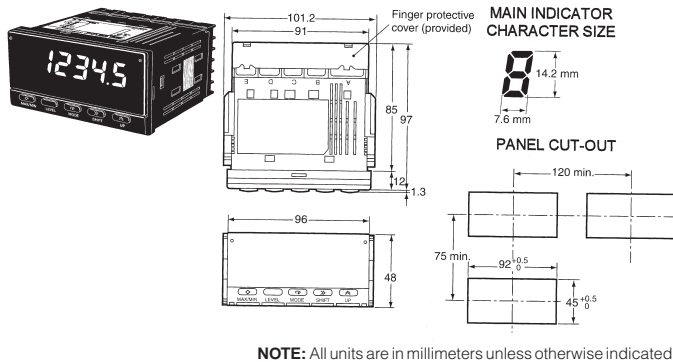


K3TG 1/32 DIN SUBMINIATURE DC VOLTMETER

- Ultra-compact DIN-size (48 × 24 (W × H)) body.
- Mounting thickness of only 2 mm required.
- Highly visible display with 10.2-mm-high LEDs.
- 5-VDC power supply for control.

Cat. No.	Description	Net Price
K3TG-V117	Subminiature, DPM, ±199.9mv, 5VDC Supply	\$94.64
K3TG-V217	Subminiature, DPM, ±1.999VDC, 5VDC Supply	94.64
K3TG-V317	Subminiature, DPM, ±19.99VDC, 5VDC Supply	94.64
K3TG-V417	Subminiature, DPM, ±199.9VDC, 5VDC Supply	94.64
ACCESSORIES		
K32-L49SC	Water Resistant Cover (K3TE/F)	16.02
K32-L49MB	Mounting Bracket For Cover	5.72
K32-L49TC	Terminal Cover	5.72
K32-L24SC	Water Resistant Cover (K3TG)	16.02

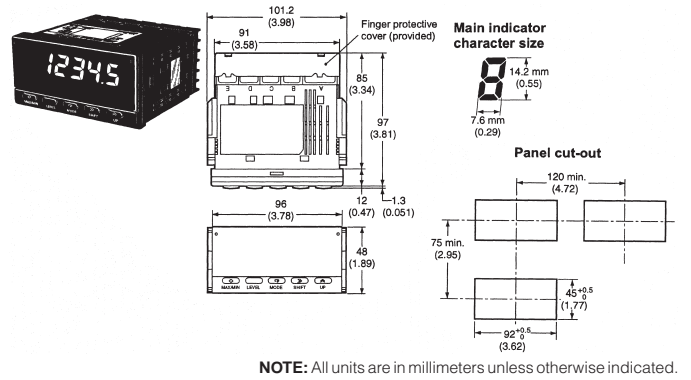


K3MA-F FREQUENCY/RATE METER

Highly visible LCD display with 2-colour (red and green) LEDs.

- Display: 7-segment digital display, character height: 14.2mm
- Contact, NPN, PNP, or voltage pulse input
- Front-panel key operation for easy setting
- Average processing function suppresses flicker
- Includes scaling auto-zero time, start-up compensation time functions
- Easy confirmation of max/min display
- Short 80mm depth (measured from edge of faceplate)
- Finger protect cover (standard equipment) guards against electric shock
- Water and dust-proof NEMA4X (IP66 equivalent) front panel
- Recognized to U.S. and Canada requirements under the Component Recognition Program of UL with CE marking
- Operating temperature: -10°C to 55°C (with no condensation or icing)
- Weight approx.: 200g

Cat. No.	Supply Voltage	Input Type	Output	Net Price
K3MA-F-AC100-240	100 to 240 VAC	Rotary Pulse	None	\$252.00
K3MA-F-A2AC100-240			2 relay contact outputs (SPST-NO)	263.00
K3MA-F-AC/DC24	24 VAC/VDC		None	252.00
K3MA-F-A2AC/DC24			2 relay contact outputs (SPST-NO)	263.00

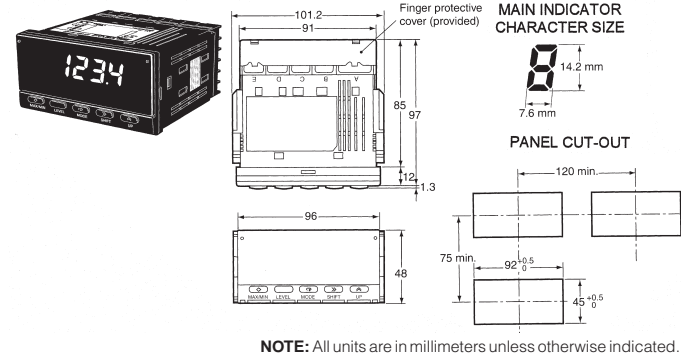


00000K3MA-J PROCESS METER

Highly visible LCD display with 2-colour (red and green) LEDs.

- Multi-range process signal
- Front-panel key operation for easy setting
- Average processing function suppresses flicker
- Scaling, front-panel forced-zero, zero-limit functions
- Easy confirmation of max/min display
- Short 80mm depth
- Water and dust-proof NEMA 4X (IP66 equivalent) front panel
- Finger protective cover

Cat. No.	Supply Voltage	Input Type	Output	Net Price
K3MA-J-AC100-240	100 to 240 VAC	0-20mA DC, 4-20mA DC, 0-5 VDC, 1-5 VDC, -5 - +5 VDC, -10 - +10 VDC	None	\$221.00
K3MA-J-A2-AC100-240			2 relay contact outputs (SPST-NO)	231.00
K3MA-J-AC/DC24	24 VAC/VDC		None	221.00
K3MA-J-A2-AC/DC24			2 relay contact outputs (SPDT-NO)	231.00



K3MA-L DIGITAL TEMPERATURE METER

Highly visible LCD display with 2-colour (red and green) LEDs.

- Display: 7-segment digital display, character height: 14.2mm
- Wide input range—select from two types of platinum-resistance thermometers and ten types of thermocouples
- Front-panel key operation for easy setting
- Average processing function suppresses flicker
- Temperature input shift and temperature unit selection functions
- Easy confirmation of max/min display
- Short 80-mm depth (measured from edge of faceplate)
- Finger protective cover (standard equipment) protects against electric shock
- Water and dust-proof NEMA4X (IP66 equivalent) front panel
- Recognized to U.S. and Canadian requirements under the Component Recognition Program of UL with CE marking
- Operating temperature: -10°C to 55°C (with no condensation or icing)
- Weight approx.: 200g

Cat. No.	Supply Voltage	Input Type	Output	Net Price
K3MA-L-AC100-240	100 to 240 VAC	Platinum-resistance thermometer or thermocouple	None	\$205.00
K3MA-L-CAC100/240			1 relay contact output (SPDT)	215.00
K3MA-L-AC/DC24	24 VAC/VDC		None	205.00
K3MA-L-CAC/DC24			1 relay contact output (SPDT)	215.00