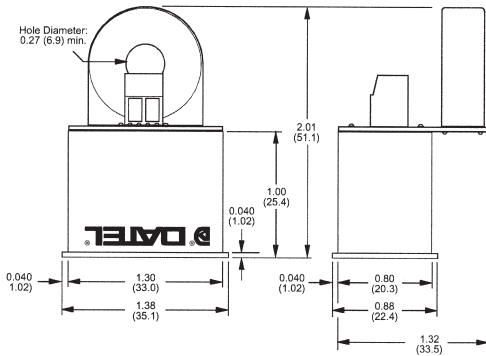


C&D TECHNOLOGIES

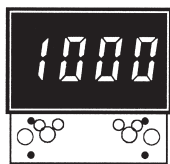


Mechanical Dimensions: Inches (mm)

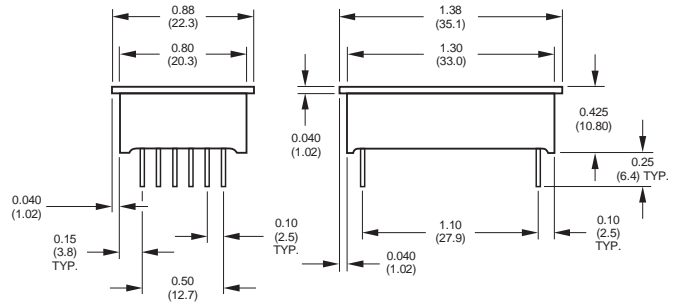
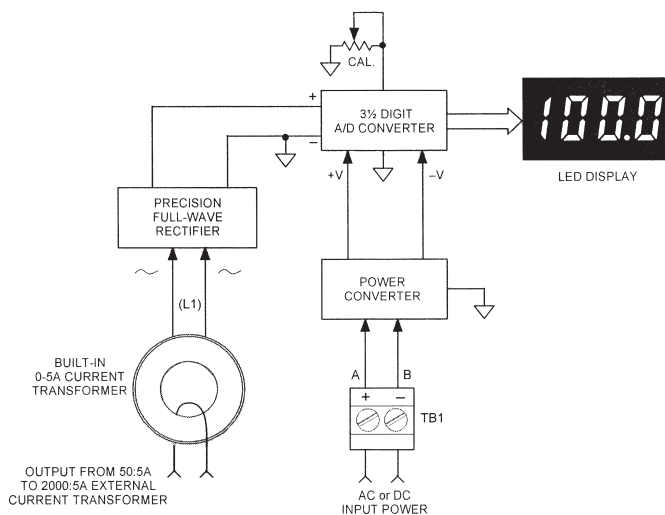
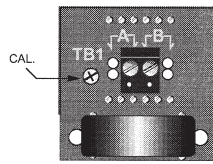
Tolerances: 2 PL DEC ± 0.02 (± 0.51), 3 PL DEC ± 0.010 (± 0.254)



FRONT VIEW



BACK VIEW



3 1/2 DIGIT, LCD DISPLAY DMS-20LCD

FEATURES:

- Lowest cost! Lowest power, 2mW!
- Large (0.37" / 9.4mm), enhanced contrast, LCD displays
- Subminiature size: 1.38" x 0.88" x 0.43mm (35mm x 22mm x 11mm)
- Backlit displays optional
- Single +5V supply or 9V battery
- Low-battery annunciator
- Epoxy-encapsulated, 12-pin DIP packages are panel or pc-board mountable

ACA5-20PC SERIES DIGITAL-READOUT LED-DISPLAY 50-2000A AC AMMETERS

ACA5-20PC Series AC Ammeters are designed to scale and digitally display the output of standard, 5A-output current transformers (50:5A, 500:5A, 1000:5A, etc.). Simply pass the secondary/output wires of the "primary" CT through the ACA5-20PC's on-board CT, apply power to the meter, and you're instantly measuring AC currents over one of 14 ranges from 0-50A (with 100mA resolution) to 0-2000A (with 1A resolution). Because they accept outputs from previously installed high-current CT's, ACA5-20PC's can instantly bring modern digital precision to older AC ammeters. The functionally complete ACA5-20PC ammeters incorporate scaling/interface circuitry to mate with on-board CT to a precision (3-1/2 digit) A/D converter. The A/D's output directly drives the meters large (0.37" / 9.4mm digit height), easy-to-read, LED displays. All models employ auto-zero circuits, precision bandgap references, and super stable metal-film resistors for unsurpassed accuracy ($\pm 0.15\%$ FS) and stability. ACA5-20PC meters are either AC (120/220/277VAC @ 50/60Hz or 120VAC @ 400Hz) or DC (+5V, +5-40V, or +36-75V) powered. AC models can be powered by the same AC supply whose current they are monitoring. All ACA5-20C's provide 2000VDC isolation between the measuring AC current and their power supply, and all models are UL/CSA recognized. Each meter is housed in a subminiature, 1.38" x 0.88", epoxy-encapsulated package whose behind-the-panel installation depth is 2 inches. Display colour options include standard red, high intensity red, and standard green. Each meter is supplied with a plastic bezel assembly with sealing gaskets (DATEL DMS-BZL4). **FEATURES:** Scales and displays the output of 50:5A to 2000:5A current transformers. 3 LED options, 6 power options, 122 models. Functionally complete: On-board 5A current transformers, scaling/interface circuitry, precision A/D converters and bright red or green displays. AC models can be "self-powered". Digital replacement for analog ammeters.

Cat. No.	LED Colour	Description	Net Price
ACA5-20PC-1-AC1-RL	Standard red	0-50A, 85-264VAC Powered, AC Ammeter	\$91.49

ACA-20PC IS SIMILAR TO ACA5-20PC, EXCEPT FOR THE AMPERAGE—0-2A TO 0-100A ONLY

ACA-20PC-2-AC1-RL	Standard red	0-20A, 85-264VAC Powered, AC Ammeter	99.11
ACA-20PC-3-AC1-RL	Standard red	0-50A, 85-264VAC Powered, AC Ammeter	106.73

Continued on next page....