

MASTER MICROTORCHES

Completely portable, these torches are great for heating, light brazing, soldering, desoldering, and heat shrinking. All have a built-in safety lock, adjustable flame, refillable fuel tank, and water-resistant self-ignition system. Torches maintain a wind-resistant, sharp blue flame at temperature up to 2500°F (1300°C).

MT-51—A wide, stable base allows hands-free as well as hand-held use. Has an internal fuel tank and hands-free levers. Runs up to two hours on full tank of Master Ultratane butane fuel (sold separately).

MT-51H—Microtorch, table-top unit includes heat tip and 1" dia. shrink attachment for flameless heat shrink applications.

MT-11—The palm size makes it perfect for your tool kit. Has a fuel level viewing window and a refillable fuel cell (includes fuel). Run time is 2 minutes on full tank

Cat. No.	Description	Net Price
MT-51	Microtorch, table top	\$33.44
MT-51H	Microtorch, table top includes heat tip and 1" dia, shrink attachment	51.17
MT-11	Microtorch, palm-size	23.85
MT-76K	Triggertorch kit	85.30



MASTER ULTRATANE BUTANE

Master Ultratane™ butane is the only approved butane recommended to fuel all Master butane powered heat tools. Its triple refined, "non-clogging" formula prevents clogging of internal filters. Each canister comes with a convenient single piece universal filler cap. Ozone safe, contains no CFS's.

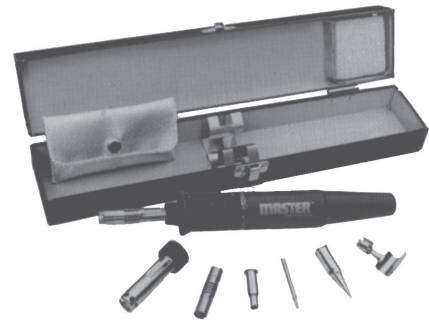
Cat. No.	Description	Net Price
51773	5-1/8 oz. (145 gram) canister	\$4.50
10448	15/26 oz. (26 gram) canister	3.93
RC-31	Refillable butane fuel cell. Two per card.	4.73



MASTER UT-100Si SLEF-IGNITING ULTRATORCH

The UT100Si is a dual function, self-igniting soldering iron and heat tool. Average run time is 2 hours on full tank of Master Ultratane butane fuel. Comes standard with solder tip, heat tip, open end wrench, spanner wrench, heat shrink attachment and a protective cap.

Cat. No.	Description	Net Price
UT-100Si	Ultratorch self-igniting	\$149.52
70-01-01	1mm tapered needle soldering tip	17.23
70-01-02	Standard 3.3mm dia. chisel soldering tip	17.23
70-01-52	Standard heat tips	17.23



MASTER UT-100 ULTRATORCH

Compact, yet high-performance butane powered heat tool. The standard ultratorch comes complete with one ejector for soldering and heat tip applications. Also included is a heat shrink attachment, a tool holder, a solder sponge, a spanner wrench and a metal carrying case. Easily refilled with standard butane gas containers.

Cat. No.	Description	Net Price
UT-100	Ultratorch, standard	\$148.84



MASTER UT-40Si AND UT-40SiH ULTRATORCH

Compact size, lightweight and completely portable, features a rugged, easy-to-hold body plastic and convenient slide switch for quick ignition. UT-40Si includes solder tip and heat tip. UT-40SiH included head tip and heat shrink attachment. Both units come standard with a protective cap.

Cat. No.	Description	Net Price
UT-40Si	Ultratorch, economy model	\$45.97
UT-40SiH	Ultratorch, economy model, includes heat tip and heat shrink attachment	46.67



MASTER UT-50 PEN SIZED ULTRATORCH

This convenient, pen-sized heat tool fits in your shirt pocket for absolute portability. No outlets required. Average run time is 20 minutes on full tank of Master Ultratane butane fuel.

Cat. No.	Description	Net Price
UT-100si	Ultratorch, mini-sized	\$149.52
71-01-01	1mm dia. tapered needle soldering tip	15.96
71-01-02	Standard 2.4mm dia. chisel soldering tip	15.96
71-01-52	Standard heat tips	18.14