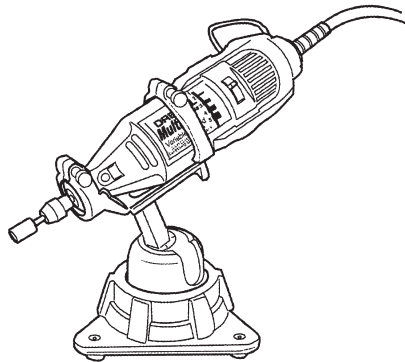


DREMEL SHAPER/ROUTER TABLE

Converts your corded rotary tool into a bench mounted wood shaper. Features an adjustable fence and large 8" x 6" worktable. Slot, groove, sand, and trip edges. Can be used with MultiPro rotary tools 275, 285, 395, and 398. Tool not included.

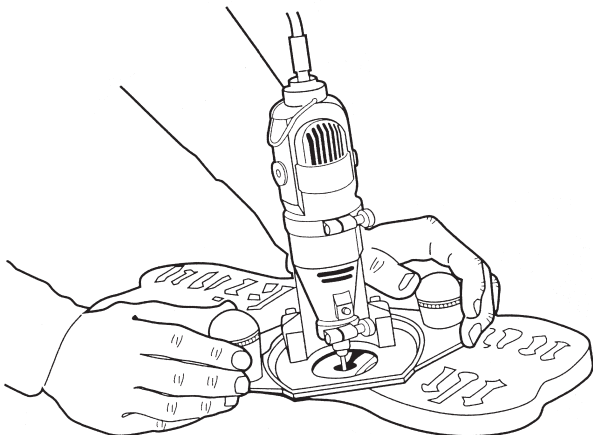
Cat. No.	Net Price
231	\$41.43



DREMEL MULTIPRO TOOL HOLDER AND BASE

Firmly holds rotary tools in any position. Control workpiece (hands free) for better results. Holds MultiPro tool nos. 275, 285, and 395. Tool not included.

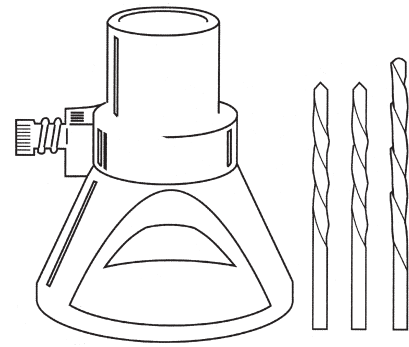
Cat. No.	Net Price
2217	\$40.87



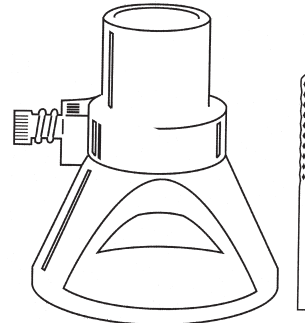
DREMEL ROUTER ATTACHMENT

Transforms your corded rotary tool into a router for edging, grooving, and free-band routing. Double-handle design offers greater control and accuracy. Includes edge guide for accurate straight cuts. Can be used with MultiPro tools 275, 285, and 395. Tool not included.

Cat. No.	Net Price
335	\$34.14



565

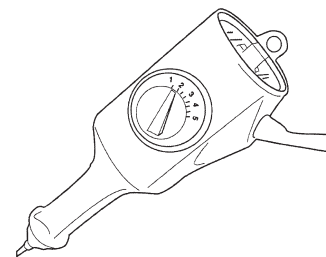


566

CUTTING KITS

Provides controlled cutting in a variety of materials. Easily attaches to corded Rotary Tool in place of the housing cap. Easy depth adjustment. Set cutting depth to 19mm material thickness. **Model 565** Multipurpose Cutting Kit includes: cutting guide, (2) drywall cutting bits for cutting drywall for electrical boxes and air vents, (1) Multipurpose cutting bit for making cuts in ceiling, tile, wood, plastic, fiberglass, drywall, laminate and vinyl siding. **Model 566** Tile Cutting Kit includes: cutting guide, (1) tile cutting bit for shaping ceramic wall tile around fixtures or plumbing pipes. **Not for use on ceramic floor tile.**

Cat. No.	Description	Net Price
565	Multipurpose Cutting Kit	\$19.86
566	Tile Cutting Kit	20.58



DREMEL ELECTRIC ENGRAVER

Identify and personalize your valuables. Use for decorative engraving. **Light and compact design:** Comfortable use for precision engraving performance. **Stoke adjustment dial:** Regulates engraving depth from fine lines to deep grooves. **Replacement carbide and diamond points:** Engrave on soft or hard materials. Motor specifications: 115V, AC/115V, 60Hz, .2 amps/0.2 amps. Strokes: 7.200/SPM. Comes complete with carbide point tip. 2 year warranty.

Cat. No.	Description	Net Price
290	Electronic engraver	\$23.85
9924	Replacement carbide point for normal applications	5.82
9929	Replacement diamond point for continuous duty industrial or commercial work	17.92