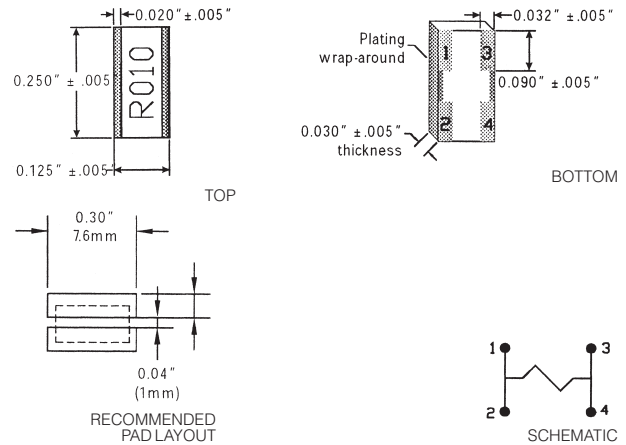


LRC SERIES LOW CHIP RESISTORS

Standard 2512, 2010 and 1206 sizes. Resistance values down to 1206 sizes 0.010Ω. Leach resistant solder-plated copper wrap-around termination. Low inductance thick film design for current sensing applications.

Cat. No.	Case Size	Power Rating	Resistance (Ohms)	Tol.	Net Price
LRF1206LF-01-R010FTR	1206	1/2W	0.01	±1%	\$1.25
LR1206LF-01-R050FTR	1206	1/2W	0.05	±1%	.72
LR1206LF-01-R100FTR	1206	1/2W	0.10	±1%	1.31
LRF2010LF-01-R020FTR	2010	1W	0.02	±1%	1.34
LR2010LF-01-R050FTR	2010	1W	0.05	±1%	1.03
LR2010LF-01-R100FTR	2010	1W	0.10	±1%	1.03
LR2010LF-01-R200FTR	2010	1W	0.20	±1%	1.03
LR2010LF-01-R500FTR	2010	1W	0.50	±1%	1.03
LR2512LF-01-R050FTR	2512	1.5W	0.05	±1%	1.25
LR2512LF-01-R100FTR	2512	1.5W	0.10	±1%	1.12
LR2512LF-01-R500FTR	2512	1.5W	0.50	±1%	1.09
LR2512LF-01-R100FTR	2512	1.5W	1.0	±1%	1.09

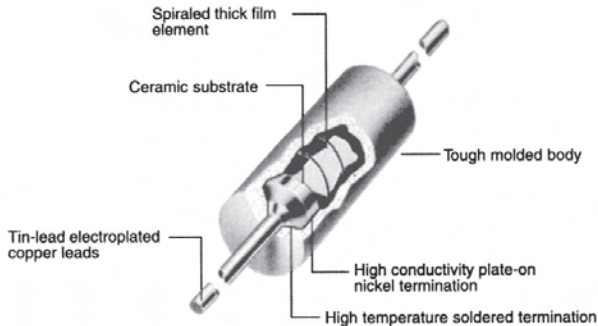


IRC LRF32 LOW RANGE 3 WATT SMT CHIP RESISTOR

IRC's LRF3W provides 3 watt @ 70C power dissipation in a small 1225 surface mount package. IRC's proven four terminal "Kelvin Connection" design achieves ultralow resistance values of 0.003 ohms, and the resistors also exhibit extremely low inductance ratings of less than 0.4nH, making them ideal for use in high power/high frequency applications. Other applications include battery circuits, power supplies, "lamp out" detection for incandescent bulbs and audio amplifier short-overload sensing applications.

Cat. No.	Power Rating	Tolerance	Resistance (Ohms)	Net Price
LRF3W-01-R005-JLF	3W	5%	0.005	\$1.40
LRF3W-01-R010-JLF	3W	5%	0.010	1.40
LRF3W-01-R020-JLF	3W	5%	0.020	1.40
LRF3W-01-R050-JLF	3W	5%	0.050	1.42
LRF3W-01-R100-JLF	3W	5%	0.100	1.40

NOTE: Sold in minimum package of 100. T/R also available upon request.



GS-3 SERIES THICK FILM SEMI-PRECISION METAL GLAZE 3 WATT RESISTORS

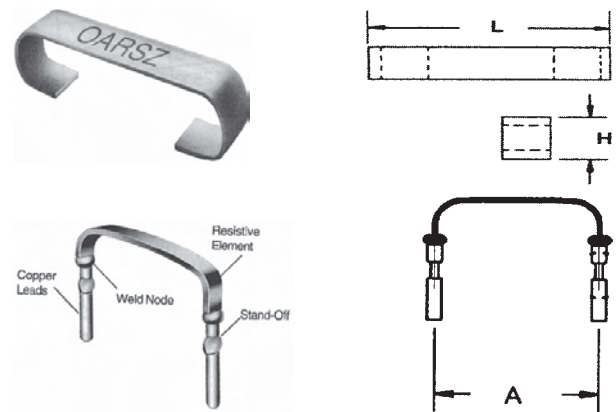
1 ohm to 3 ohm. 5% Tolerance. High surge strength. Effective as carbon composition replacement. Wattage: 3 Watts @ 25°C.

STANDARD VALUES ±5% (IN DECADES OF VALUES SHOWN)

100	220	330	470	820
150	270	360	560	
200	300	390	680	

Cat. No.	Res. Ohms	Voltage Rating	Dim. (l x d) mm	Net Price
GS-3-100-XXXX-JLF	1.0-9.9	1000V	13.1 x 5.7	\$.57
GS-3-100-XXXX-JLF	10.0-1M	1000V	13.1 x 5.7	.54
GS-3-100-XXXX-JLF	1.01M-3M	1000V	13.1 x 5.7	.61

NOTE: XXXX—1st digits represents value, last digit represents multiplier. e.g., 1001 = 100 x 10 = 1K.



IRC OPEN AIR CURRENT SENSE RESISTORS

IRC's open air current resistors are available in through-hole (OAR) and surface mount styles (OARS). They provide superior thermal expansion cycling, low inductance and is flameproof. Applications include current sensing, feedback circuits, surge and pulse, AC applications. Tolerance: 1%. Load life @ 70°C (1000 hours): 1% D max. Temperature cycle @ -40°C & +125°C (1000 cyc): 1% max.

Cat. No.	Power Rating	Resistance (Ohms)	Dimensions (mm)			Net Price
			A	L	H	
SURFACE MOUNT						
OARS-1-R003-FLF	1W	R003	—	11.18	3.05	\$.72
OARS-1-R005-FLF	1W	R005	—	11.18	3.51	.72
OARS-1-R010-FLF	1W	R010	—	11.18	3.51	.62
OARS-1-R020-FLF	1W	R020	—	11.18	3.51	.62
OARS-1-R030-FLF	1W	R030	—	11.18	3.51	.62
OARS-1-R050-FLF	1W	R050	—	11.18	3.51	.62
OARS-1ZLF	1W	0-OHM	—	11.18	3.51	.62
THROUGH HOLE						
OAR-1-XXX-JLF	1W	0.003 to 0.10	11.43	—	—	.59
OAR-3-XXX-JLF	3W	0.0025 to 0.10	15.24	—	—	.66
OAR-5-XXX-JLF	5W	0.003 to 0.05	20.32	—	—	1.15