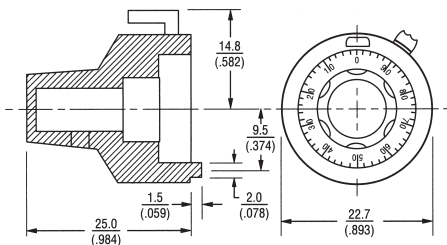




## BOURNS SERIES H-22 FULL METAL PRECISION-COUNTING DIAL

Requires only 7/8" (22.2mm) diameter panel space. For use with precision potentiometers or other rotating devices up to 15 turns. Excellent legibility, black marking on satin or polished chrome background. High quality cast and hard chrome housing, rugged construction. Metal-to-metal setscrew threads. No backlash, mounted directly to potentiometer shaft. High force "CLICK-BREAK". Fits all .250" diameter shaft.

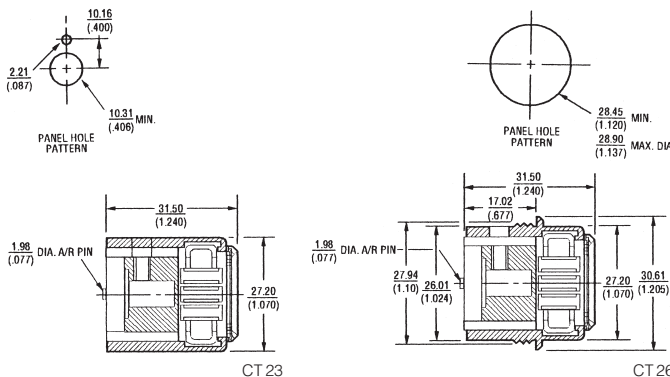
Cat. No.	Description	Net Price
H-22-6A	Satin chrome	\$10.65
H-23-6A	Polished chrome	10.87



## BOURNS MODEL H-506 TURNS COUNTER DIAL, 15-TURN

For use with precision potentiometers or other rotation devices up to 15 turns. Excellent legibility—white marking on black background. High quality, rugged construction. Two set screws. No backlash. High force, positive brake. Compact—requires only .9" (22.86mm) diameter panel space. Standard models to fit 1/4" diameter shafts. **Dial Divisions:** 50 per turn. **Weight:** 7 grams. **Markings:** White on black background.

Cat. No.	Net Price
H-506-1/4	\$6.53

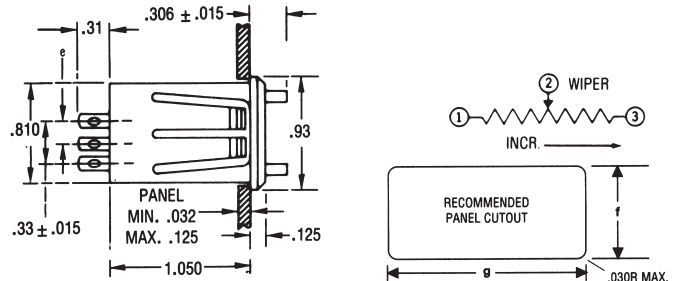


## BOURNS MODEL CT-23 AND CT-26 TURNS COUNTING DIAL 1" DIA., 30-TURN

Bourns panel front mounting, digital Turns-Counting Dial saves valuable internal space. Highly accurate, it will enhance the main machine interface of any control panel. Easy to read white on black numerals provide excellent legibility and accurate readings within 1/500 of a turn. Shaft extension beyond face of locator plate 0.435" min., 0.640" Max. Bushing extension beyond face of locator plate 0.158" max. Locking brake. **FEATURES:** For use with precision potentiometers

or other rotating devices up to 10 turns. Simplified mounting. High quality, rugged construction throughout. No backlash—mounted directly to potentiometer shaft. Dial will not rotate when brake is applied. Standard models available for 1/4" diameter shafts.

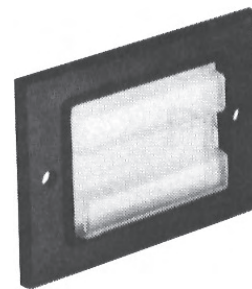
Cat. No.	Description	Net Price Each			
		1-24	25-49	50-99	100-Up
CT-23	Digital Turns-Counting Dial	\$21.22	\$20.16	\$19.10	\$18.04
CT-26	Same as above, but provides a lower panel profile.	21.22	20.16	19.10	18.04



## DIGITAL PUSHBUTTON CERMET/POTENTIOMETER

If you're designing panels with precision data entry or set-point controls, consider the Bourns Model 3680 Series Digital Potentiometers. The Model 3680 series integrates a precision incremental decade potentiometer with easy-to-read digital display, and a speedy pushbutton control action. It is handsome, accurate and a "snap" to install. Everything is inside the Model 3680, no resistors or mini-PC Boards are required, nothing clutters the back of the unit to steal precious space. In-line Digital Readout. **Accuracy:** Dial reading to output ratio ±5% full scale. Convenient snap-in mounting with bezel. Small panel space. Rear solder lug terminals. 2 Watts power rating. **Standard Resistance Range:** 50 ohms to 1 megohm. **Temperature Coefficient:** ±100ppm/°C max. **Temperature Range:** -25°C to +85°C.

Cat. No.	Resolution %	Ohms ±1.0% Tol.	Digits	Net Price Each		
				1-24	25-99	100-Up
3682S-1-102	1.0	1K	(2)	\$34.26	\$27.74	\$25.88
3682S-1-502	1.0	5K	(2)	38.35	28.98	25.88
3682S-1-103	1.0	10K	(2)	38.35	28.98	25.88
3682S-1-104	1.0	100K	(2)	38.35	28.98	25.88
3682S-1-105	1.0	1M	(2)	38.35	28.98	25.88
3683S-1-102	0.1	1K	(3)	56.76	42.88	38.84
3683S-1-502	0.1	5K	(3)	56.76	42.88	38.84
3683S-1-103	0.1	10K	(3)	56.76	42.88	38.84



## BOURNS H385 SERIES ENVIRONMENTAL PANEL SEAL FOR USE WITH THE BOURNS SERIES 3682-3683 PRECISION POTENTIOMETER

The H385 environmental panel seal is made of clear silicone rubber with a rigid black plastic frame. It is designed to help protect the potentiometer from dirt, water, oil and many other hostile environments.

Cat. No.	Description	Net Price
H385-2	1 Digit Panel Seal	\$39.38
H385-3	3 Digit Panel Seal	41.84