

BOURNS 91 SERIES POTENTIOMETERS

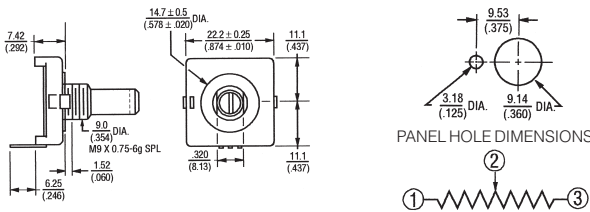
Bourns Model 91 modular potentiometer combines the superior performance of a conductive plastic element with a simplified new three-piece design. The net result is a high quality 1/2" square panel potentiometer, for the price of lower perform moulded carbon. Construction features include one piece moulded plastic shaft and rotor with insert moulded metal bushing. The resultant offers high quality "feel" plus virtually infinite electrical circuit isolation. The moulded in-line P.C. pin terminations allow the pins to be easily bent forward or aft for vertical mounting P.C. boards or mated with low cost mini-connectors for hard wired applications. Absolute minimum resistance 2 ohms. Power Rating @ 70°C: 0.5 watt. **Temperature Range:** -55°C to 125°C. **Load Life:** 1000 hours. **Rotational Life:** 100,000 cycles. **Dielectric Withstanding Voltage (Min):** 500 Volts RMS. **Insulation Resistance (500 Volts DC):** 100 Megohms.

PLAIN 3/8" X 3/8" BUSHING, SINGLE SLOTTED 1/4" X 3/8" SHAFT, CONDUCTIVE PLASTIC ELEMENTS

Cat. No.	Resistance (Ohms)	Net Price Each				
		1-49	50-99	100-249	250-499	500-Up
LINEAR TAPER ± 20%						
91A1A-B28-B10	1K	\$5.18	\$4.66	\$4.14	\$3.73	\$3.10
91A1A-B28-B13	5K	5.18	4.66	4.14	3.73	3.10
91A1A-B28-B15	10K	5.18	4.66	4.14	3.73	3.10
91A1A-B28-B18	50K	5.18	4.66	4.14	3.73	3.10
91A1A-B28-B20	100K	5.18	4.66	4.14	3.73	3.10
CW AUDIO TAPER ± 20%						
91A1A-B28-D15	10K	5.86	5.27	4.69	4.22	3.52
91A1A-B28-D18	50K	5.86	5.27	4.69	4.22	3.52
91A1A-B28-D20	100K	5.86	5.27	4.69	4.22	3.52

PLAIN 1/4" X 1/4" BUSHING, SINGLE PLAIN END 1/8" X 3/8" SHAFT, CONDUCTIVE PLASTIC ELEMENTS

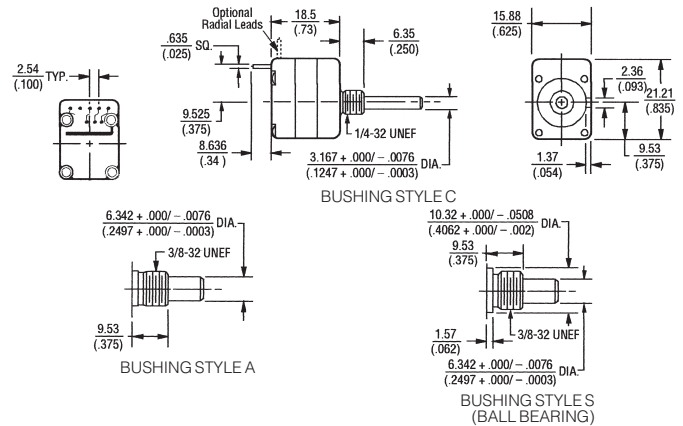
Cat. No.	Resistance (Ohms)	Net Price Each				
		1-49	50-99	100-249	250-499	500-Up
LINEAR TAPER ± 20%						
91C1A-D24-B10	1K	\$5.18	\$4.66	\$4.14	\$3.73	\$3.10
91C1A-D24-B13	5K	5.18	4.66	4.14	3.73	3.10
91C1A-D24-B15	10K	5.18	4.66	4.14	3.73	3.10
91C1A-D24-B18	50K	5.18	4.66	4.14	3.73	3.10
91C1A-D24-B20	100K	5.18	4.66	4.14	3.73	3.10
CW AUDIO TAPER ± 20%						
91C1A-D24-D15	10K	5.86	5.27	4.69	4.22	3.52
91C1A-D24-D18	50K	5.86	5.27	4.69	4.22	3.52
91C1A-D24-D20	100K	5.86	5.27	4.69	4.22	3.52



BOURNS SLIMLINE POTENTIOMETERS

Space saving design. **Shaft Length:** 3/4". **Shaft Style:** 1/4" dia. slotted. **Anti-Rotation Lug:** 9:00 position. **Bushing Configuration:** 9mm x .250 length threaded M9 x 0.75 6g 5 Pl. **Element Taper Version:** Lin. CP ± 20%. **Detent Configuration:** No detents. **Housing Terminal Configuration:** PC pins (rear facing) with rear mounting brackets. **Absolute Minimum Resistance:** 5 ohms max. **Dielectric Withstanding Voltage:** MIL-STD-202, method 301. **Insulating Resistance (500 VDC):** 1,000 megohms. **Rotational Life:** 50,000 cycles. **Terminals:** PC pin. **Operating Temperature:** 1°C to 125°C.

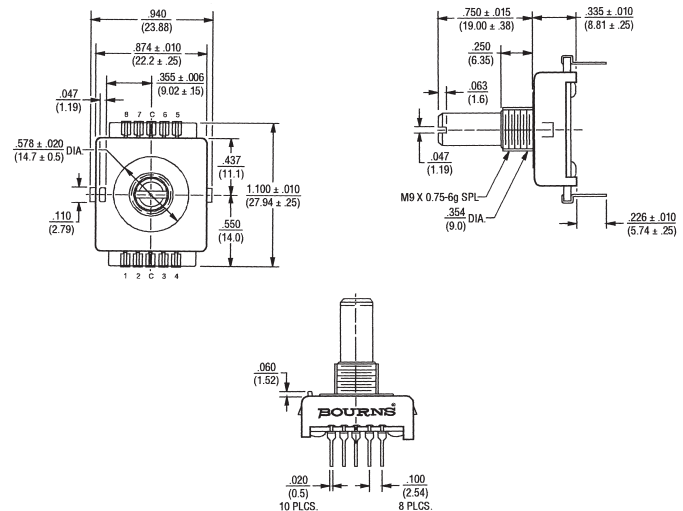
Cat. No.	Resistance	Net Price Each			
		1-49	50-99	100-499	500-Up
PCW1J-B24-BAB102	1K Ohms	\$4.53	\$2.77	\$2.37	\$2.04
PCW1J-B24-BAB502	5K Ohms	4.53	2.77	2.37	2.04
PCW1J-B24-BAB103	10K Ohms	4.53	2.77	2.37	2.04
PCW1J-B24-BAB503	50K Ohms	4.53	2.77	2.37	2.04
PCW1J-B24-BAB104	100K Ohms	4.53	2.77	2.37	2.04



BOURNS OPTICAL INCREMENTAL ENCODERS

Two channel quadrature output. Square wave signal. Small size. Bushing mount configuration. CMOS and TTL compatible. Long life. High operating speed. **Supply Voltage:** 5VDC ± 0.25 VDC. **Insulation Resistance (500 VDC):** 1,000 megohms. **Shaft Length:** 7/8". **Shaft Style:** 1/4" dia. plain end. **Terminal Configuration:** Axial, multi-purpose pin. **Operating Temperature Range:** -40°C to +85°C.

Cat. No.	Cycles Per Revolution	Bushing Configuration	Net Price
ENA1J-B28-L00100	100	3/8" D x 3/8" L Threaded	\$56.74
ENS1J-B28-L00256	256	3/8" D x 3/8" L Threaded Ball Bearing	91.38
ENC1J-D28-L00128	128	1/4" D x 1/4" L Threaded	56.74



ABSOLUTE CONTACTING ENCODERS (ACE™)

Until now, the choice of an absolute encoder meant an expensive, and larger-sized product. Through the use of combinatorial mathematics, the grey-code pattern of the Bourns Absolute Contact Encoder ACE™ is placed on a single track for a very economical, energy-efficient and compact product. Bourns' ACE™ provides an absolute digital output that will also retain its last position in the event of a power failure. An intelligent alternative to incremental encoders and potentiometers, the Bourns ACE™ is ideally suited for many industrial, automotive, medical and consumer product applications. **ELECTRICAL CHARACTERISTICS:** **Output:** 8-bit grey code with 128 absolute states. **Closed Circuit Resistance:** 5 ohms Maximum. **Open Circuit Resistance:** 100K ohms minimum. **Contact Rating:** 10 milliamp @ 10 VDC or 0.1 watt maximum. **Insulation Resistance (500 VDC):** 1,000 megohms minimum. **Dielectric Withstanding Voltage:** MIL-STD-202 Method 301. **Electrical Travel:** Continuous. **ENVIRONMENTAL CHARACTERISTICS:** **Operating Temperature Range:** +1°C to +125°C. **Vibration:** 15G. **Shock:** 50G. **Rotational Life:** 25,000 shaft revolutions.

Cat. No.	Description	Net Price
EAWOJ-B24-AE0128	Absolute Contact Encoder	\$9.34