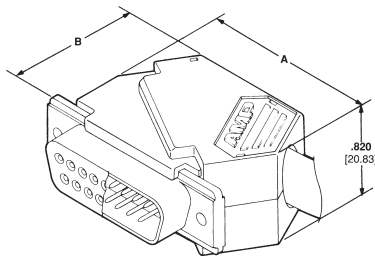


## UNSHIELDED CABLE CLAMPS, STRAIGHT/90° EXIT USED WITH HDE AND HDP CONNECTORS

**Material and Finish:** cable clamp housing—thermoplastic, grey. 4-40 mounting screws—steel, zinc plated. 4-40 housing screws and hex nuts—steel, zinc plated.

Cat. No.	Shell Size	Cable Dia. (Max.)	Dimensions		Net Price
			A	B	
5745134-1	3	.460	2.090	.826	\$4.60
5745081-1	4	.675	2.738	.826	4.88
5745082-1	5	.775	2.644	.938	5.12

**NOTE:** All parts are packaged unassembled. Straight or 90° cable exit is achieved by inserting AMP-TY Cable Ties through cable tie openings and clamping the cable to one housing half only.

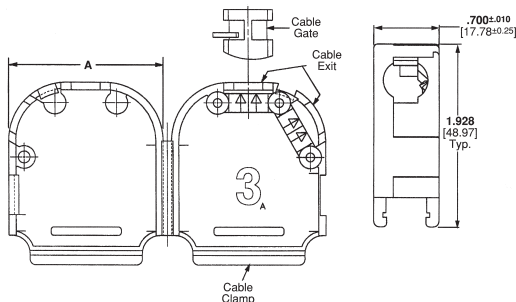


## UNSHIELDED CABLE CLAMP STRAIGHT 90° EXIT USED WITH HDE OR HDP PLUGS OR RECEPTACLES

90° Exit Cable Clamps can be used on a plug or receptacle and will not interfere with commonly used mating hardware. Their three-piece construction allows easy assembly to a cable harness. Also the same cable clamp components are used for the 90° cable exit applications. This is accomplished by simply positioning the male and female panels on the yoke for the desired angle. Material: black thermoplastic.

Cat. No.	Cable Dia.	Dimensions		Net Price
		A	B	
745306-1	.550	2.066	1.396	\$5.52

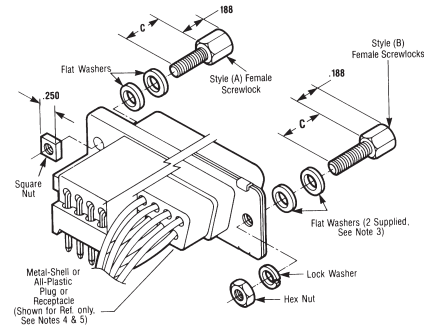
**NOTE:** All parts are packaged unassembled. Each cable clamp assembly includes a yoke, male panel, female panel and four cable support gates. The cable diameter is adjustable by changing the cable support gates.



## UNSHIELDED CABLE CLAMP, QUICK-SNAP BACKSHELL KIT FOR METAL-SHELL CONNECTORS USED WITH HDE AND HDP CONNECTORS

The AMP Quick-Snap Backshell Kit is a one-piece, all-plastic cable clamp kit designed for use with either the AMPLIMITE HDP-20, HDP-22, or HDE, all-plastic or metal-shell connectors. Kits are available for connector sizes 1, 2, 3, and 4 with a cable exit option of 180° or 120°. Each kit contains: 1 hinged, plastic clamp, 2 self-tapping screws, 1 strain relief clip and 1 cable exit gate plug (used to close unused exit). Material and Finish: cover: polypropylene, black. Strain relief clip: stainless steel. Ratainer clip: stainless steel. Screws: carbon steel, zinc plated.

Cat. No.	Shell Size	Cable Dia. Range (Ref.)	Dimension A	Net Price
5749914-2	1	.075-.250	.782	\$3.00
5749915-2	2	.170-.380	1.105	2.89
5749626-2	3	.180-.460	1.650	3.02
5749916-2	4	.250-.550	2.296	3.33



## FEMALE SCREWLOCKS FOR METAL-SHELL AND ALL-PLASTIC CONNECTORS HDE, HDF, AND HDP

All parts are zinc plated clear or yellow chromate, cold rolled steel. 2-56 is the male thread size and 4-40 is the female thread size. Female screwlocks with 2-56 thread size are to be used with cable clamps with mounting flanges. Female screwlocks with 4-40 and M-3 (metric) thread sizes can be used with all other cable clamps. Short female screwlocks cannot be used with HDF connectors.

Cat. No.	Connector Used with	Style	Dim. C	Chromate Finish	Net Price Per 1000
----------	---------------------	-------	--------	-----------------	--------------------

### FEMALE SCREWLOCK, 4-40 THREAD SIZE

5207952-1	HD All-Plastic Right-Angle Plugs and Receptacles	A	.250	Yellow	\$1907.90
5745563-1	HDE Metal Shell or All-Plastic Plugs and Receptacles	B	.250	Yellow Clear	3033.92
5745563-3	HDE Metal Shell or All-Plastic Plugs and Receptacles	B	.250	Yellow Clear	2086.86
5205817-1	HDP or HDF Metal-Shell or All-Plastic Plugs and Receptacles	B	.312	Yellow Clear	2869.38
5205817-3	HDP or HDF Metal-Shell or All-Plastic Plugs and Receptacles	B	.312	Yellow Clear	2039.28
5207719-1	HD All-Plastic Plugs and Receptacles with Integral Standoffs	B	.560	Yellow Clear	2076.64
5207719-3	HD All-Plastic Plugs and Receptacles with Integral Standoffs	B	.560	Yellow Clear	1982.54

### INDIVIDUAL SCREWLOCKS (WASHERS AND NUTS NOT INCLUDED)

5207952-3	HD All-Plastic Right-Angle Plugs and Receptacles	A	.250	Clear	1730.00
5748270-2	HDP or HDF Metal-Shell or All-Plastic Plugs and Receptacles	B	.312	Clear	1192.92

### MALE SCREW RETAINER KIT\*

5745647-1	HDE All-Plastic Plugs and Receptacles	—	—	Yellow	1800.00
746881-1	HDF Metal Shell or All-Plastic Plugs	—	—	Yellow	1670.00

\*NOTE: Retainer kit comprised of two male screws and two retaining clips. HDE & HDP screw length is .220 (5.59) × 4-40 and HDF is .300 (7.62) × 4-40.