

UNSHIELDED CABLE CLAMP, STRAIGHT/90° EXIT USE WITH SERIES HD-20 & HDP-20 CONNECTORS

Features gray thermoplastic housing with zinc plated 4-40 mounting and housing steel screws and hex nuts. Straight or 90° cable exit is achieved by inserting Cable Ties through cable tie opening and clamping the cable to one housing half only.

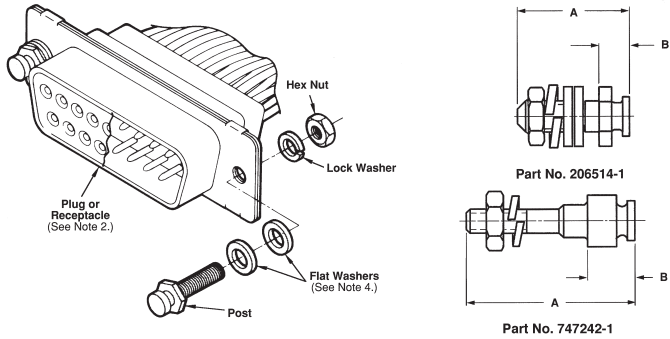
SUBMINIATURE D UNSHIELDED CABLE CLAMPS

Cat. No.	Shell Size	Dimensions		Cable Dia.	Net Price
		A	B		
5206471-1	2	1.550	.826	.350	\$3.48
5206472-1	3	1.655	.826	.335	3.37

UNIVERSAL CABLE CLAMPS FOR JACKETED CABLE (STRAIGHT 90° EXIT)

5206471-1	2	1.550	.826	.350	\$3.48
5206472-1	3	1.655	.826	.335	3.37

NOTE: 90° exit is achieved by inserting cable tie through cable tie openings and clamping the cable to one housing half only.

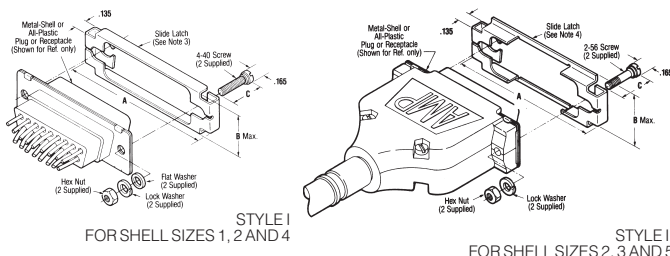


LOCKING POST ASSEMBLY FOR HD, HDE, HDF, AND HDP CONNECTORS

Material and Finish: all parts—cold rolled steel, zinc plated clear or yellow chromate. Thread size: 4-40 and 2-56.

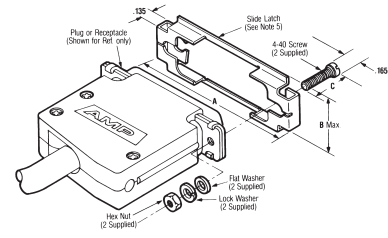
Cat. No.	Locking Post Finish	Thread Size	Dimensions Inches (mm)		Net Price Per 1000
			A	B	
5206514-1	Yellow Chromate	4-40	.410 (10.41)	.110 (2.79)	\$3130.30
5206514-6	Yellow Chromate	4-40	.560 (14.22)	.110 (2.79)	3338.98
5747242-1	Yellow Chromate	2-56	.615 (15.62)	.172 (4.37)	3338.98

NOTES: All parts are packaged unassembled. Each kit is comprised of two complete assemblies. For front mount, it is recommended that a shim be used between the connector flange and panel to prevent bowing of the flange. Locking posts with 2-56 thread size are to be used with cable clamps with mounting flanges. Locking posts with 4-40 thread size can be used with all other cable clamps. Locking posts mate with slide latches.



STYLE I
FOR SHELL SIZES 1, 2 AND 4

STYLE II
FOR SHELL SIZES 2, 3 AND 5



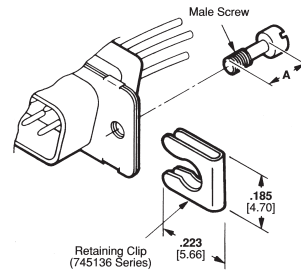
STYLE III
FOR SHELL SIZES 2, 3 AND 5

USED WITH SERIES HD-20, HDE-20, HDF-20 AND HDP-20 CONNECTORS

HARDWARE—SLIDE LATCHES

Cat. No.	Shell Size	Dimensions			Style	Net Price Per 1000
		A	B	C		
5745404-1	1	1.397	.490	.415	I	\$4049.77
5745583-1	2	1.725	.490	.547	II	4410.00
5745583-5	2	1.725	.490	.415	III	4589.77

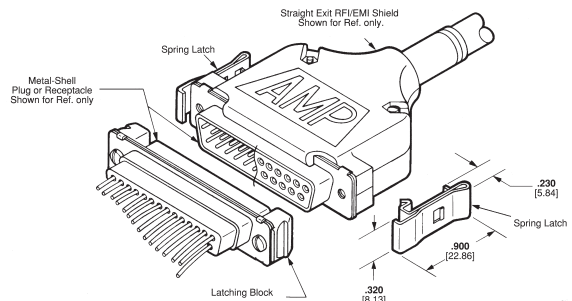
NOTE: Each kit consists of a slide latch, two screws, flat washers (if required), lock washers and hex nuts.



MALE SCREW RETAINERS FOR METAL-SHELL CONNECTORS USE WITH HDE AND HDP CONNECTORS

All parts are packaged unassembled. Each kit is comprised of two male screws and two retaining clips. Male screw retainers mate with female screwlocks with HDF metal-shell connectors featuring 4-40 threaded inserts and with HD metal-shell board mount connectors featuring 4-40 threaded inserts or female screwlocks. Retaining clip must be assembled onto connector flanges with threaded hole toward wire side of connectors. Material and Finish: male screw—steel, zinc plated clear or yellow chromate. Retainer clip—.012 (0.31) stainless steel.

Cat. No.	Thread Size	Screw Finish	Dimension A	Net Price Per 1000
5205980-1	4-40	Yellow	.220 (5.59)	\$771.08
5205980-4	4-40	Clear	.220 (5.59)	731.30



SPRING LATCHES FOR CABLE CLAMPS WITH MOUNTING EARS USED WITH RFI/EMI SHIELDS MATES WITH LATCHING BLOCKS

Material: 0.15 (0.38) stainless steel.

Cat. No.	Description	Net Price Per 1000
745255-2	Two per package	\$4554.00