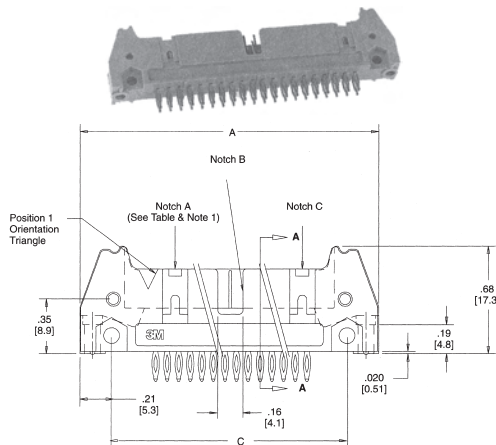


Cat. No.	No. of Contacts	Latches	Dim. A	Dim. C	Net Price
<b>.112" (2.84mm) SOLDER TAILS FOR .062 THICK PC BOARDS, 4-WALL, STRAIGHT PINS</b>					
N3793-6202RB	10	Short	1.26 (32.1)	.865 (21.97)	<b>\$2.45</b>
N3793-6302RB	10	Long	1.26 (32.1)	.865 (21.97)	<b>2.45</b>
N3428-6202RB	20	Short	1.76 (44.8)	1.365 (34.67)	<b>4.45</b>
N3428-6302RB	20	Long	1.76 (44.8)	1.365 (34.67)	<b>4.45</b>
N3429-6202RB	26	Short	2.06 (52.4)	1.665 (42.29)	<b>5.66</b>
N3429-6302RB	26	Long	2.06 (52.4)	1.665 (42.29)	<b>5.66</b>
N3431-6202RB	34	Short	2.46 (62.6)	2.065 (52.45)	<b>5.84</b>
N3431-6302RB	34	Long	2.46 (62.6)	2.065 (52.45)	<b>5.84</b>
N3432-6202RB	40	Short	2.76 (70.2)	2.365 (60.07)	<b>6.83</b>
N3432-6302RB	40	Long	2.76 (70.2)	2.365 (60.07)	<b>6.83</b>
N3433-6202RB	50	Short	3.26 (82.9)	2.865 (72.77)	<b>8.40</b>
N3433-6302RB	50	Long	3.26 (82.9)	2.865 (72.77)	<b>8.40</b>

Cat. No.	No. of Contacts	Latches	Dim. A	Dim. C	Net Price
<b>.112" (2.84mm) SOLDER TAILS FOR .062 THICK PC BOARDS, 4-WALL, RIGHT ANGLE PINS</b>					
N3793-5202RB	10	Short	1.26 (32.1)	.865 (21.97)	<b>2.45</b>
N3793-5302RB	10	Long	1.26 (32.1)	.865 (21.97)	<b>2.45</b>
N3428-5202RB	20	Short	1.76 (44.8)	1.365 (34.67)	<b>4.45</b>
N3428-5302RB	20	Long	1.76 (44.8)	1.365 (34.67)	<b>4.45</b>
N3429-5202RB	26	Short	2.06 (52.4)	1.665 (42.29)	<b>5.66</b>
N3429-5602RB	26	Long	2.06 (52.4)	1.665 (42.29)	<b>5.66</b>
N3431-5202RB	34	Short	2.46 (62.6)	2.065 (52.45)	<b>5.84</b>
N3431-5302RB	34	Long	2.46 (62.6)	2.065 (52.45)	<b>5.84</b>
N3432-5202RB	40	Short	2.76 (70.2)	2.365 (60.07)	<b>6.83</b>
N3432-5302RB	40	Long	2.76 (70.2)	2.365 (60.07)	<b>6.83</b>
N3433-5202RB	50	Short	3.26 (82.9)	2.865 (72.77)	<b>8.40</b>
N3433-5302RB	50	Long	3.26 (82.9)	2.865 (72.77)	<b>8.40</b>

NOTE: 3-wall and additional pin quantities, and longer tail options available.

## 3M .100" x .100" LATCH/EJECTOR SHROUDED HEADERS



### 3000 SERIES LATCH/EJECTOR HEADERS

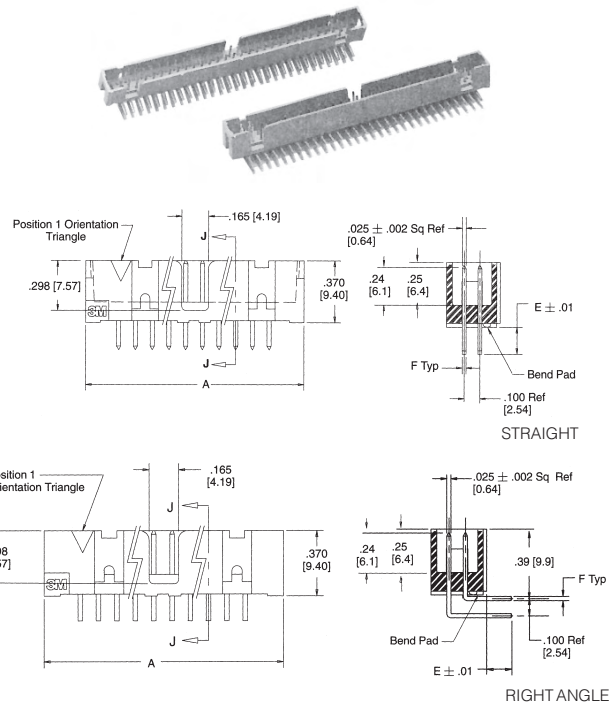
**Solder tail (RoHS compliant Q3-05): MATERIALS:** Insulator: Grey glass-filled polyester UL94V-0 rated. Contacts: Phosphor bronze, plated 30µm gold over 100µm nickel plate. Pressfit tails 200µm tin lead. **OPERATING TEMPERATURE:** -55°C to +105°C, process rated to 260°C, single pass per J-STD-020C. **CURRENT RATING:** 1 amp.

Cat. No.	No. of Contacts	Latches	Dim. A	Dim. C	Net Price
<b>.175" (4.44mm) PRESSFIT TAILS FOR .062 THICK PC BOARDS, 4-WALL, STRAIGHT PINS</b>					
3793-650T02TC	10	Short	1.26 (32.1)	.865 (21.97)	<b>\$3.91</b>
3793-660T02TC	10	Long	1.26 (32.1)	.865 (21.97)	<b>3.91</b>
3428-660T02TC	20	Long	1.76 (44.8)	1.365 (34.67)	<b>7.38</b>
3429-650T02TC	26	Short	2.06 (52.4)	1.665 (42.29)	<b>10.39</b>
3429-660T02TC	26	Long	2.06 (52.4)	1.665 (42.29)	<b>10.39</b>
3431-660T02TC	34	Long	2.46 (62.6)	2.065 (52.45)	<b>10.96</b>
3432-650T02TC	40	Short	2.76 (70.2)	2.365 (60.07)	<b>12.84</b>
3432-660T02TC	40	Long	2.76 (70.2)	2.365 (60.07)	<b>11.25</b>
3433-650T02TC	50	Short	3.26 (82.9)	2.865 (72.77)	<b>15.92</b>
3433-660T02TC	50	Long	3.26 (82.9)	2.865 (72.77)	<b>15.92</b>

NOTE: Additional pin quantities available.

## 3M .100" x .100" LOW PROFILE BOX HEADERS

3M™ N2500 and 303 series low profile headers are designed to save space on and allow close stacking between PC boards. Available in 6 thru 64 pin quantities and mate to all .100 x 100-inch polarized wiremount sockets. Mating charts and detailed technical drawings available on request.



### ORDERING INFORMATION

X25XX-X0XXXX

Blank = Standard  
N = High Temperature  
Pin Quantity: (See Table 1)  
Bend Pad Option:  
5 = Right angle  
6 = Straight pin product with bend pad in high temp or normal plastics  
7 = Straight pin product w/o bend pad in high temp only  
Tail:  
02 = Solder Tails for .062 (1.57) Thick Board.  
02 = Kinest Solder Tails for .052 (1.37) Thick Board.  
03 = Solder Tails for .094 to .125 (2.39 to 3.18) Thick Board.  
05 = Wrap Tails for up to 3 Levels of Wire Wrap. (Normal temp only)  
Mating Plating Thickness:  
Solder Tail Versions  
UG = 15 µm (0.38 µm)  
UB = 30 µm (0.76 µm)  
Wrap Tail Versions  
EB = 30 µm (0.76 µm) (Normal temp only)

### N2500 SERIES SHROUDED HEADERS

Available in 10 thru 50 pins. Dual slot and Centre bump polarization for broader compatibility. High-temp insulation suitable for lead-free processing. Optional snap-in latches and polarizing post. Optional retainer clip for locking sockets in place in vibration-prone environments. **MATERIALS:** Insulator: Black glass-filled polyester UL94V-0 rated. Contacts: Copper alloy, plated 30µm gold over 100µm nickel plate >Tails 200µm matte tin. **OPERATING TEMPERATURE:** -55°C to +105°C, process rated to 260°C, single pass per J-STD-020C. **CURRENT RATING:** 1 amp.

Cat. No.	No. of Contacts	Dim. A	Net Price
<b>.112" (2.84mm) SOLDER TAILS FOR .062 THICK PC BOARDS, 4-WALL, STRAIGHT PINS</b>			
N2510-6002RB	10	.788 (20.02)	<b>\$2.41</b>
N2520-6002RB	20	1.288 (32.72)	<b>2.88</b>
N2526-6002RB	26	1.588 (40.34)	<b>3.10</b>
N2534-6002RB	34	1.988 (50.50)	<b>3.72</b>
N2540-6002RB	40	2.288 (58.12)	<b>3.98</b>
N2550-6002RB	50	2.788 (70.82)	<b>4.93</b>
<b>.112" (2.84mm) SOLDER TAILS FOR .062 THICK PC BOARDS, 4-WALL, RIGHT ANGLE PINS</b>			
N2510-5002RB	10	.788 (20.02)	<b>2.67</b>
N2520-5002RB	20	1.288 (32.72)	<b>3.21</b>
N2526-5002RB	26	1.588 (40.34)	<b>3.40</b>
N2534-5002RB	34	1.988 (50.50)	<b>4.05</b>
N2540-5002RB	40	2.228 (56.12)	<b>4.38</b>
N2550-5002RB	50	2.788 (70.82)	<b>5.40</b>

NOTE: Additional pin quantities and longer tail options available.