

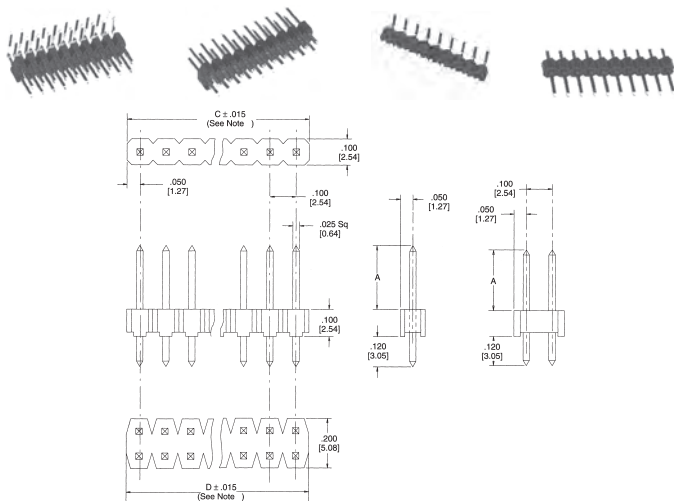
303 ECONOMY SERIES BOX HEADERS

Low cost, economy headers. Available in 10 thru 50 pins. Military centre slot polarization. End windows. All over gold flash. Insulator body .365 (9.4) high, .330 (8.38) wide. Length — Dim A below. **MATERIALS:** Insulator: Black glass-filled polyester UL94V-0 rated. Contacts: Brass, plated gold flash over 30µ" nickel. **OPERATING TEMPERATURE:** -55°C to +105°C. **CURRENT RATING:** 1 amp.

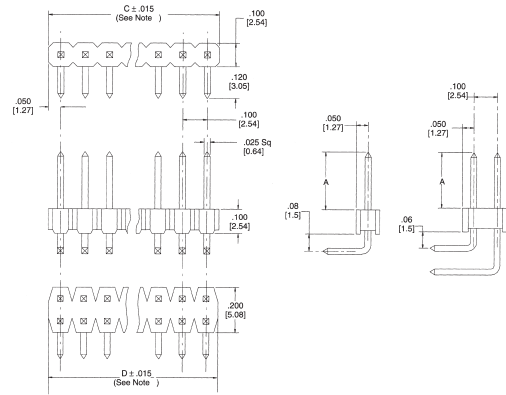
Cat. No.	No. of Contacts	Dim. A	Net Price
.110" (2.79mm) SOLDER TAILS FOR .062 THICK PC BOARDS, 4-WALL, STRAIGHT PINS			
30310-6002HB	10	.800 (20.32)	\$.58
30320-6002HB	20	1.300 (32.02)	.72
30326-6002HB	26	1.600 (40.64)	.87
30334-6002HB	34	2.000 (50.80)	1.01
30340-6002HB	40	2.300 (58.42)	1.12
30350-6002HB	50	2.800 (71.12)	1.34
.110" (2.79mm) SOLDER TAILS FOR .062 THICK PC BOARDS, 4-WALL, RIGHT ANGLE PINS			
30310-5002HB	10	.800 (20.32)	.69
30320-5002HB	20	1.300 (32.02)	.83
30326-5002HB	26	1.600 (40.64)	.98
30334-5002HB	34	2.000 (50.80)	1.12
30340-5002HB	40	2.300 (58.42)	1.27
30350-5002HB	50	2.800 (71.12)	1.48

NOTE: Additional pin quantity available.

3M .100" × .100" PIN STRIP HEADERS



STRAIGHT



RIGHT ANGLE

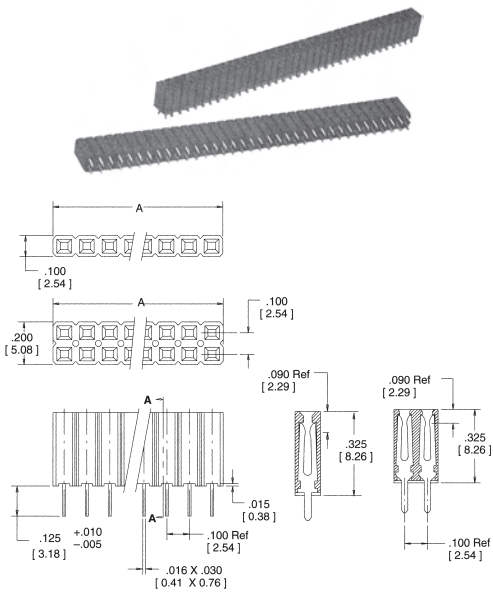
2300 SERIES PIN STRIPS

3M™ 2300 series pin strip headers are available in one and two-row, straight and right-angle solder tails, two mating lengths, and a variety of plating options. Tapered tip does not cut the socket wipe during insertion. Board retention feature available. Side-by-side and end-to-end stackable. Sold in full sticks—40 contacts for single-row and 80 for double-row. Breakable to smaller lengths—contact Electro Sonic for pricing on these "value-add" items. **MATERIAL:** Insulator: Black glass-filled polyester UL94V-0 rated. Contacts: Copper alloy, with tin or gold plating. Tails 100µ" tin lead. **OPERATING TEMPERATURE:** -55°C to +105°C. **CURRENT RATING:** 3 amp.

Cat. No.	No. of Contacts	Plating	Net Price
SINGLE ROW, .230" MATE, .120" STRAIGHT SOLDER TAILS			
2340-6111TB	40	30µ" gold/50µ" nickel	\$1.96
2340-6111TG	40	10µ" gold/50µ" nickel	1.34
DUAL ROW, .230" MATE, .120" STRAIGHT SOLDER TAILS			
2380-6121TB	40	30µ" gold/50µ" nickel	3.87
2380-6121TG	40	10µ" gold/50µ" nickel	2.71
2380-6121TN	40	Gold flash/30µ" nickel	1.95
SINGLE ROW, .230" MATE, .120" RIGHT ANGLE SOLDER TAILS			
2340-5111TB	40	30µ" gold/50µ" nickel	2.57
2340-5111TG	40	10µ" gold/50µ" nickel	1.74
DUAL ROW, .230" MATE, .120" RIGHT ANGLE SOLDER TAILS			
2380-5121TB	40	30µ" gold/50µ" nickel	5.83
2380-5121TG	40	10µ" gold/50µ" nickel	3.94

NOTE: Pin strips retention tails also available. Breakable to smaller lengths—contact Electro Sonic for pricing on these "value-add" items.

3M BOARDMOUNT SOCKETS



Continued on next page....