

### PRESS-FIT VERTICAL RECEPTACLES

Designed for use as I/O ports in backplanes, mid-planes, or any application where solderless placement of interconnects is preferred. Eye of the needle contact design. Rugged die-cast metal lockstand. **MATERIALS:** Insulator is black glass reinforced polyester UL94V-0 rated. Body is cast zinc. Contacts are copper alloy with 30µ" gold plating over 80µ" nickel. Shroud and latch hook are steel with nickel plating. **TEMPERATURE RATING:** -20°C to +85°C. **CURRENT RATING:** .5 amps.

Cat. No.	No. of Positions	Lockstand Thread	PCB Hole	Dim. C	Net Price
10214-R21CS	14	M2.5	Cu/pre flux	1.16 (29.5)	\$15.11
10226-R21CS	26	M2.5	Cu/pre flux	1.46 (37.2)	15.20
10236-R21CS	36	M2.5	Cu/pre flux	1.71 (43.5)	15.99
10268-R21CS	68	M2.5	Cu/pre flux	2.51 (63.8)	18.45

NOTE: Also available in 40, 50, and 80 position.

## 3M I/O MINI DELTA RIBBON (MDR) BOARDMOUNT PLUGS



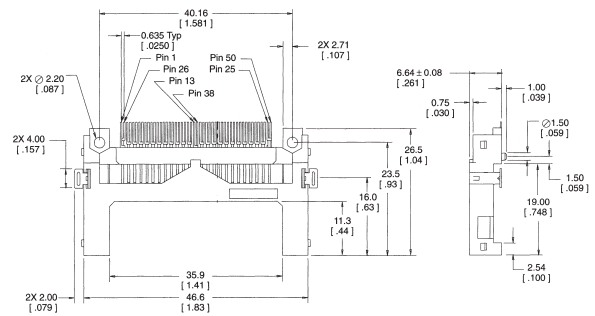
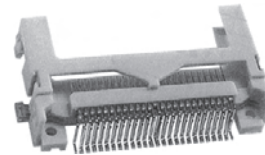
### THRU-HOLE, RIGHT-ANGLE—SHIELDED

Rugged die cast metal lockstand. Screw or ground lock PCB lockdown. Normal and reverse "D" shell options for board to board flexibility. IEEE 1284 interface (36pin). Ribbon type contact. **MATERIALS:** Insulator is black glass reinforced polyester UL94V-0 rated. Body is zinc alloy with nickel plating. Contacts are copper alloy with 30µ" gold plating over 80µ" nickel. Ground plate is copper alloy with nickel plating. **TEMPERATURE RATING:** -20°C to +85°C. **CURRENT RATING:** 1 amp.

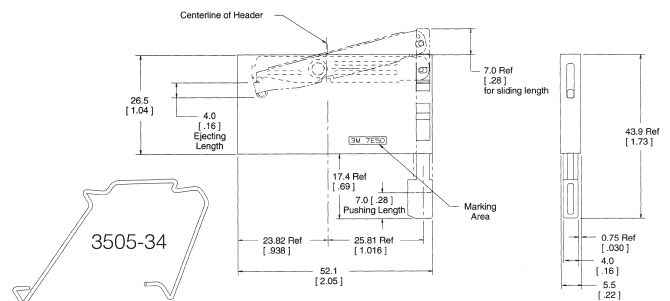
Cat. No.	No. of Positions	Mounting	Panel/Board Retention	Net Price
10120-52B2VC	20	Normal	M2.5/ground lock	\$23.73
10126-52B2VC	26	Normal	M2.5/ground lock	24.60
10136-52B2VC	36	Normal	M2.5/ground lock	25.51
10150-52E2VC	50	Normal	M2.5/ground lock	26.23

## 3M COMPACT FLASH™

3M offers a full line of Type 1 and Type II components and accessories for Compact Flash™ cards—headers, ejectors, and adapters—a total interconnect solution from a single source. All 3M CF interconnects meet CFA standards.



N7E50-7516VU-20



D7E50-7316-03

# electrosonic

Electro Sonic  
appreciates your business

1-800-56-SONIC

www.e-sonic.com

info@e-sonic.com

Continued on next page....