



BNC RESISTOR TERMINATED MALE PLUG

Ideal for terminating coaxial lines. 1%, 1/2 watt, deposited carbon resistor. 88.9mm (3.5) bead chain with 3.56mm (.14) dia. hole in lug. Resistance value marked on white nylon anti-roll sleeve. **SHELL:** Brass, tarnish resistant plated. **INSULATION:** Teflon. **CENTRE CONTACT:** Brass, gold plated. **RATING:** Operating voltage: 350 VDC max; Frequency range: DC to 500 MHz; Power: 1/2W @ 70°C. max.

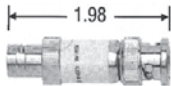
Cat. No.	Resist. in Ohms	Net Price
3840-50	50	\$7.53
3840-75	75	13.83



BNC FEED-THRU TERMINATION

Ideal for terminating pulse, microwave or UHF instruments in their characteristic impedance. Termination carbon film resistor, deposited over ceramic core, 2%, 2W. Resistance value marked on white nylon anti-roll sleeve. **SHELL:** Brass, tarnish resistant plated. **INSULATION:** Teflon. **CENTRE CONTACT:** Male, brass. Female, beryllium copper. Gold plated. **RATING:** Frequency Range: DC to 500 MHz, +102°C. (+216°F.) max.

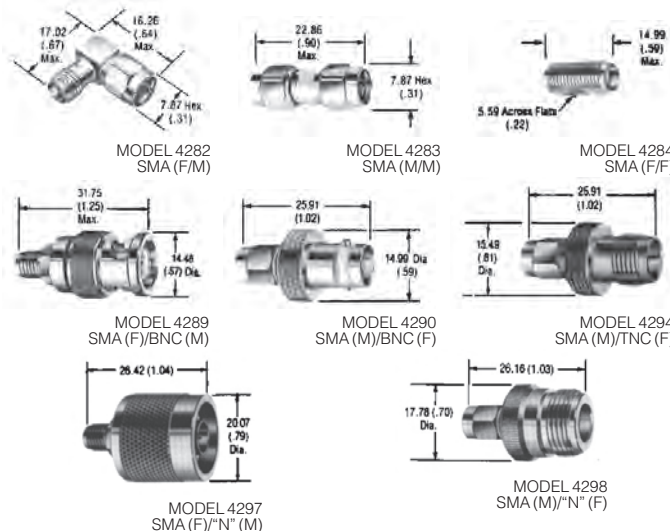
Cat. No.	Ohms	Net Price
4119-50	50	\$38.22
4119-75	75	61.89



BNC 50 OHM ATTENUATOR

50Ω impedance. Metal film resistor attenuator. **RATING:** 2W Avg. @ 25°C.

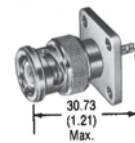
Cat. No.	dB	Net Price
4108-3dB	3dB	\$76.38
4108-6dB	6dB	76.38
4108-10dB	10dB	76.38
4108-14dB	14dB	76.38
4108-20dB	20dB	76.38



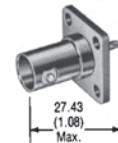
SMA ADAPTERS

These SMA adapters meet the requirements of MIL-A-55339. The 50 ohms sub-miniature series R.F. connectors are especially adaptable to microwave component applications such as couplers, dividers and mixers. Thread SMA Male: 1/4-36 UNS-2B, SMA Female: 1/4-36 UNS-2A. **SHELL:** SMA, beryllium copper. **INSULATION:** Teflon. **CENTRE CONTACTS:** Male, brass. Female, beryllium copper. **FINISH:** gold plated. **RATING:** Operating voltage: 335 VRMS max., -65°C. (-85°F.) to +165°C. (+329°F). **IMPEDANCE:** 50 ohms.

Cat. No.	Description	Net Price
4282	SMA (f/m)	\$11.59
4283	SMA (m/m)	10.14
4284	SMA (f/f)	9.94
4289	SMA (f)/BNC (m)	9.56
4290	SMA (m)/BNC (f)	9.39
4294	SMA (m)/TNC (f)	10.54
4297	SMA (f)/N (m)	19.03
4298	SMA (m)/N (f)	18.77



2447



2451

PANEL BULKHEAD RECEPTACLES

SHELL: Brass, tarnish resistant plated. **INSULATION:** Teflon. **CENTRE CONTACT:** Male, brass. Female, beryllium copper. (UHF, brass). Gold plated. **RATING:** 500 VRMS max. -65°C. (-85°F.) to +165°C. (+329°F). **IMPEDANCE:** 50 ohms.

Cat. No.	Type	Net Price
2447	BNC (m)	\$11.12
2451	BNC (f)	6.58



UNIVERSAL ADAPTER KIT

This unique kit allows you to make your own adapter combinations. Adapter ends are joined with coupling nut. Simply choose your own combinations. Features gold plated center contacts and silver plated bodies. Kit Contains 2 pcs each: BNC Female, TNC Male, TNC Female, SMA Male, SMA Female, "N" Male, "N" Female. 1 each: Double Banana Plug and Double Banana Jack. Kit also contains 4 Coupling Nuts.

Cat. No.	Net Price
5698	\$158.02