

## TYPE "3PA" BASIC SWITCH TERMINAL ENCLOSURES

Type "3PA" die cast aluminum enclosures protect the switch from physical abuse, while providing protection for personnel from exposed terminals. Will accept any of the standard basic switches, "Z", "A", "M" etc. The "3PA1" can be mounted from either side through .140" dia. holes on 1" centres. "3PA2" is flange mounted by means of two 1 1/4" dia. holes in the bottom flange.

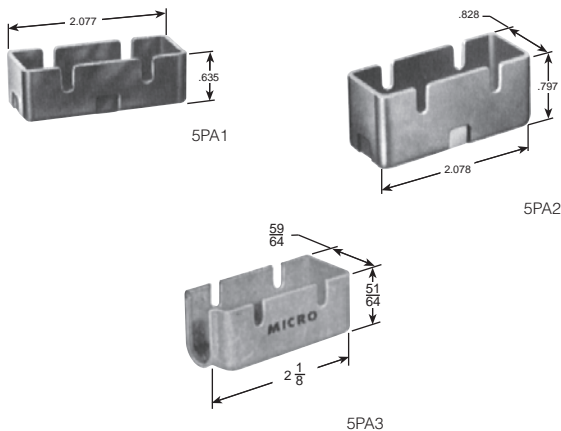
### TYPE "3PA" ENCLOSURES

Cat. No.	Variation	Net Price
3PA1	Side mount	\$30.71
3PA2	Bottom mount	47.23

### DIE CAST ALUMINUM ENCLOSURES

3PA1	Side mount	\$30.71
3PA2	Bottom mount	47.23

NOTE: ENCLOSURE PRICES DO NOT INCLUDE SWITCHES



## TYPE "5PA" PLASTIC TERMINAL ENCLOSURES

"5PA" Series plastic terminal enclosures prevent personnel from coming in contact with exposed switch terminals, and protects the switch terminals against shorting or grounding.

"5PA1" will accept any basic switch, ("Z", "A", "M") with solder terminals.

"5PA2" will accept any basic switch, ("Z", "A", "M") with screw terminals.

"5PA3" will accept any basic switch, ("Z", "A", "M") with either screw or solder terminals, which has been assembled in an auxiliary actuator.

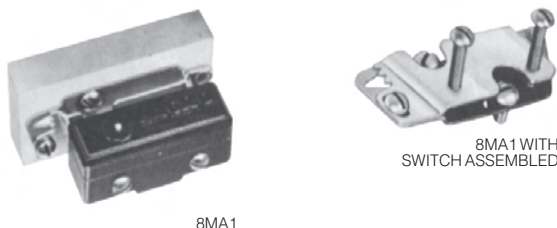
### TYPE "5PA" ENCLOSURES

Cat. No.	Will Fit Basic Switch	Net Price
5PA1	With solder terminals	\$1.50
5PA2	With screw terminals	1.34
5PA3	With auxiliary actuators	9.54

### PLASTIC TERMINAL ENCLOSURES

5PA1	With solder terminals	\$1.50
5PA2	With screw terminals	1.34
5PA3	With auxiliary actuators	9.54

NOTE: ENCLOSURE PRICES DO NOT INCLUDE SWITCHES



8MA1

## BASIC SWITCH MOUNTING BRACKET

Type "8MA" adjustable mounting brackets can regulate the operation point of a basic switch up to .080" (2mm) by loosening the locking screw, inserting a screwdriver in the adjusting slot, and twisting. Sturdy, cadmium-plated steel construction. Can be used with all standard basic switches.

### TYPE "8MA" ADJUSTABLE MOUNTING BRACKET

Cat. No.	Has Adjustment Slot	Net Price
8MA1	On the left	\$16.51
8MA2	On the right	17.33

### CADMIUM-PLATED STEEL



17MA1-B WITH SWITCH ASSEMBLED

## 17MA1-B CONVERSION MOUNTING BRACKET

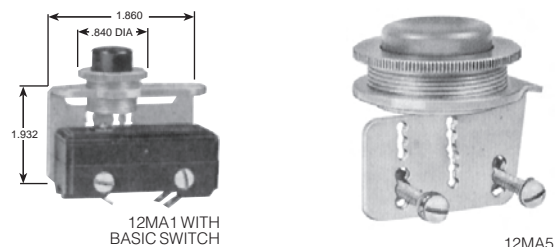
This sturdy corrosion resistant conversion mounting bracket snaps into basic switch mounting holes—without the use of tools. Fits all standard basic switches with mounting holes on 1" centres. Brackets and switches must be ordered separately.

Cat. No.	For use with switch type	Net Price
17MA1-B	"Z", "A", "M", "E", "DT" etc.	\$9.23

### CONVERSION MOUNTING BRACKET

17MA1-B	"Z", "A", "M", "E", "DT" etc.	\$9.23
---------	-------------------------------	--------

NOTE: BRACKET PRICES DO NOT INCLUDE SWITCHES



12MA1 WITH BASIC SWITCH

12MA5

## TYPE "12MA" AUXILIARY ACTUATORS

The type "12MA" actuators fit all pin plunger basic switches, "Z", "A", "M" as well as type "TB" two and four-circuit switches. Actuators are available with either 1/2" or 1" diameter buttons, in a choice of colours (black or red). Switch mounting holes and actuator mounting bushings are adjustable to allow the switch to be mounted for best button travel with panel thicknesses from .060" to .312". Actuators and switches must be ordered separately.

### TYPE "12MA" ACTUATORS

Cat. No.	Button Dia.	Button Colour	Net Price
<b>1/2" PUSHBUTTON ACTUATORS</b>			
12MA1	1/2"	Black	\$90.46
12MA2	1/2"	Red	90.46
<b>1" PUSHBUTTON ACTUATORS</b>			
12MA5	1"	Black	115.29
12MA6	1"	Red	115.29
12MA7	1"	Green	115.29

NOTE: ACTUATOR PRICES DO NOT INCLUDE SWITCHES