

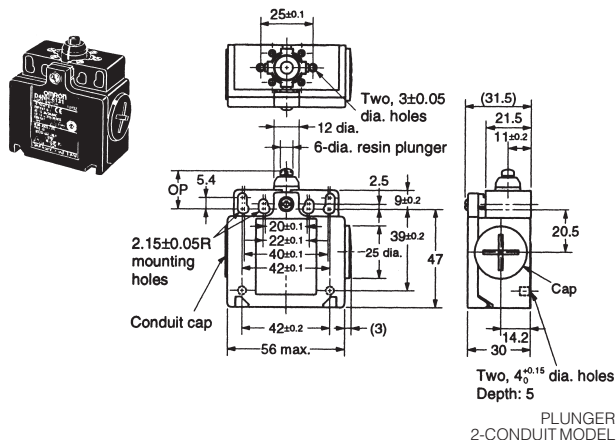
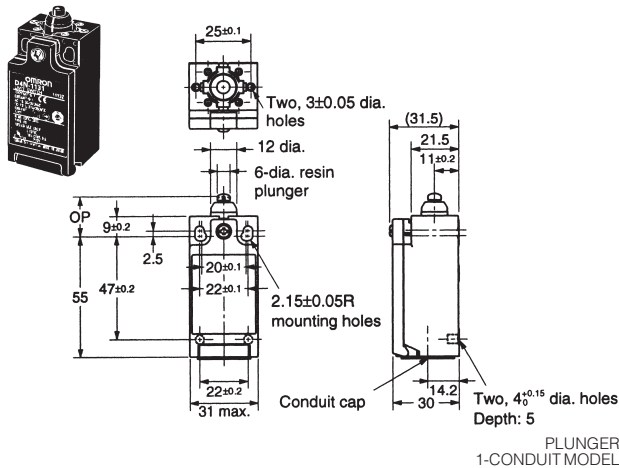
D4NS SAFETY-DOOR SWITCH MULTI-CONTACT, LABOR-SAVING, ENVIRONMENT-FRIENDLY, NEXT-GENERATION SAFETY-DOOR SWITCH

FEATURES: Line-up includes three contact models with 2NC/1NO and 3NC contact forms in addition to the previous contact 1NC/1NO, and 2NC. M12 connector models are available, saving on labor and simplifying replacement. Standardized gold-clad contacts provide high contact reliability. Applicable to both standard loads and micro loads. Free of lead, cadmium, and hexavalent chrome, reducing the burden on the environment.

Cat. No.	Configuration	Conduit/Connector Size	Net Price
D4NS-3CF	2NC/1NO (Slow-action)	1/2-14NPT (1-conduit)	\$55.00
D4NS-3DF	3NC (Slow-action)	1/2-14NPT (1-conduit)	55.00
D4NS-9AF	1NC/1NO (Slow-action)	M12 (1-conduit)	105.00
D4NS-9EF	2NC (Slow-action)	M12 (1-conduit)	105.00

OPERATION KEY TYPE FOR SERIES D4NS SERIES

Cat. No.	Operation Key Type	Net Price
D4DS-K1	Horizontal mounting	\$5.60
D4DS-K2	Vertical mounting	5.60
D4DS-K3	Adjustable mounting (horizontal)	17.60
D4DS-K5	Adjustable mounting (horizontal/vertical)	29.90



D4N MINIATURE SAFETY LIMIT SWITCHES

FEATURES:

- Upgraded safety limit switches based on the popular D4D, providing a full lineup conforming to international standards.
- Lineup includes three contact models with 2NC/INO and 3NC contact forms in addition to the previous contact forms INC/INO, and 2NC. Models with MBB contacts are also available.
- M12-connector models are available, saving on labour and simplifying replacement.
- Standardized gold-clad contacts provide high contact reliability.
- Can be used with both standard loads and microloads.
- Free of lead, cadmium, and hexavalent chrome, reducing the burden on the environment.
- Conforms to EN115 and EN81-1.
- Lineup included both slow-action and snap-action models with Zb contacts.

SWITCH CHART

Cat. No.	Built-in Switch	Cat. No.	Head and Actuator
-1	1NC/1NO (snap-action)	-20	Roller lever (resin lever, resin roller)
-2	2NC (snap-action)	-22	Roller lever (metal lever, resin roller)
-A	1NC/1NO (slow-action)	-125	Roller lever (metal lever, metal roller)
-B	2NC (slow-action)	-26	Roller lever (metal lever, bearing roller)
-C	2NC/1NO (slow-action)	-2G	Adjustable roller lever, form lock (metal lever, resin roller)
-D	3NC (slow-action)	-2H	Adjustable roller lever, form lock (metal lever, rubber roller)
-E	1NC/1NO (MBB contact) (slow-action)	-31	Top plunger
-F	2NC/1NO (MBB contact) (slow-action)	-32	Top roller plunger
		-62	One-way roller arm lever (horizontal)
		-72	One-way roller arm lever (vertical)
		-80	Cat whisker
		-87	Plastic rod
		-RE	Fork lever lock (right operation)
		-LE	Fork lever lock (left operation)

Cat. No.	Conduit/Connector Size	Net Price
D4N-1-1-20	Pg13.5 (1 conduit)	\$29.00
D4N-2-1-20	G1/2 (1 conduit)	29.00
D4N-3-1-20	1/2-14NPT (1 conduit)	30.00
D4N-4-1-20	M20 (1 conduit)	29.00
D4N-5-1-20	Pg13.5 (2 conduit)	37.00
D4N-6-1-20	G1/2 (2 conduit)	37.00
D4N-8-1-20	M20 (2 conduit)	37.00
D4N-9-1-20	M12 connector (1 conduit)	71.00

NOTE: Replace Cat. Nos. -1-20 with any of the built-in switch Nos. and head and actuator Nos. in the chart above. Example—change Cat. No. D4N-1-1-20 to D4N-1-C-26.



F3SN-A SAFETY LIGHT CURTAIN/MULTI-BEAM SAFETY SENSOR PROGRAMMABLE, TYPE 4 SAFETY LIGHT CURTAIN

FEATURES: Self-contained, no control box needed. Series connectable. Small, space-saving profile. Tested type 4 compliant. Indicator LEDs show status, error and light intensity on both the emitter and receiver. Available in single beam increments. Meets ANSI/RIA, OSHA, IEC, EN UL and CSA standards.

Continued on next page....