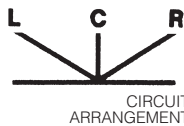
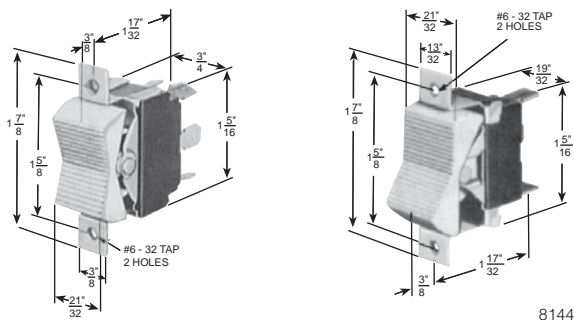


## EATON DOOR OPERATED SWITCHES

Used wherever it is desired to control current by the opening and closing of a door on refrigerators, closets, etc. Type 8411K12 is normally open (Off when door is opened). All others are normally closed (On when door is opened). Type 8406K1—rocker arm. All others—Pushbutton action.

Cat. No.	Button Extension	Amps-AC-DC		Term.	Mounting	Net Price
		125V	250V			
8406K1	—	.75	.25	Screw	Flush 2S	\$4.38
8410K1	29/64"	.75	.25	Screw	Flush 2S	3.74
8411K7	1 3/32"	.75	.25	Screw	1 5/32" Bush.	3.24
8411K8	1 3/32"	.75	.25	Lug	1 5/32" Bush.	2.72
8411K12	3/8"	.75	.25	Screw	1 5/32" Bush.	2.95

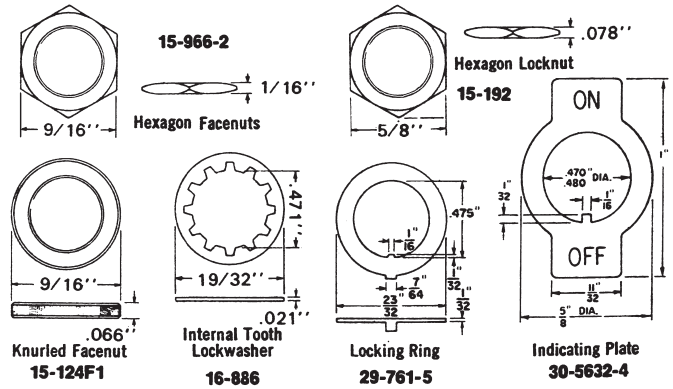
Note: 8411K12 Normally Open Contacts. All others Normally Closed Contacts.



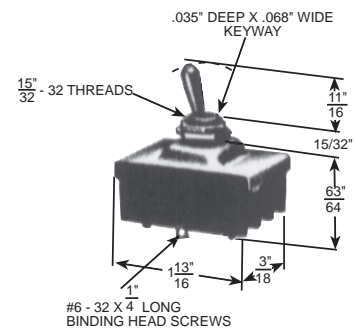
## EATON ROCKETTE SWITCHES

Created to meet the growing trend to more highly stylized appliances, instrument panels, office equipment, etc. The heat resistant nylon rockers are white. Switches mount flush, and have .250" spade terminals. The AC switch mechanism has been proven for reliability in millions of applications. Rating: 10 Amp 250V AC, 15 Amp 125V AC, 3/4 HP 250V AC.

Cat. No.	Rocker Position			Poles & Throws	Net Price
	L	C	R		
8144K20A1M52	On	Off	On	SPDT	\$9.88
8144K21A1M52	On	None	Off	SPST	6.82
8142K21E6M52	On	None	Off	DPST	6.08



Cat. No.	Description	Net Price
<b>HEXAGON LOCKNUT (1 5/32-32 THREAD)</b>		
15-192	Zinc Plated Steel	\$ .07
<b>HEXAGON FACENUT (1 5/32-32 THREAD)</b>		
15-966-2	Nickel Plated Brass	.16
<b>KNURLED FACENUT (1 5/32-32 THREAD)</b>		
15-124F1	Nickel Plated Brass	.09
<b>INTERNAL TOOTH LOCKWASHER</b>		
16-3557	Cadmium Plated Steel	.07
<b>LOCKING RING</b>		
29-761-5	Cadmium Plated Steel	.18
<b>INDICATING PLATES (BOTTOM KEYWAY OFF)</b>		
30-5632-4	Burnished Nickel	.23
<b>PANEL SEAL (FOR 1 5/32 INCH BUSHING)</b>		
32-341	Stainless steel cup washer with silicone rubber seal.	5.01



Cat. No.	Poles & Throw	Amps-A.C.		H.P.-A.C.		Term.	Net Price
		125V	250V	125V	250V		
7700K1	3PST	15	10	—	3/4	Lug	\$9.84
7700K2	3PST	15	10	—	—	Screw	11.43
7700K3	3PST	15	10	—	3/4	Spade*	9.84
7701K1	3PDT Center Off	15	10	—	3/4	Lug	12.15
7701K3	3PDT Center Off	15	10	—	3/4	Spade*	12.15
7702K1	3PDT 2 Pos. w/o Off	15	10	—	3/4	Lug	12.15
7701K2	3PDT Center Off	15	10	—	3/4	Screw	14.55
7702K2	3PDT	15	10	—	3/4	Screw	14.58
7702K3	3PDT	15	10	—	3/4	Spade*	12.15

\*.250" Quick Connect