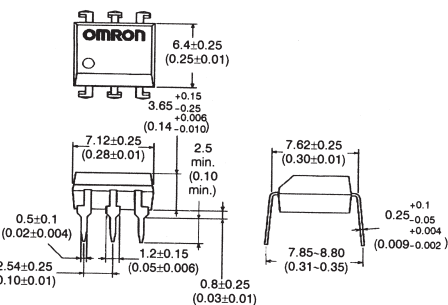


Type		High Frequency Relays				General Purpose Relays						Solid State Relays			
Cat. No.		G6K-RF	G6W	G6Y	G6Z	G4B	G7J	G7L	LY	MK	MY	G3NA	G3M	G3MB	G3TC
Terminal Types	Quick connect					x		x	x		x				
	Plug-in							x	x	x	x				
	PCB type		x	x	x	x	x	x	x		x		x	x	x
	Screw terminals							x	x			x			
	Surface mount	x	x		x										
Sealed types		x	x	x	x						x				
Poles	Single pole		x	x	x	x					x				
	Multi-Pole number of poles	2					2, 3, 4	1, 2	1, 2, 3, 4	2, 3	2, 3, 4	x	x	x	x
Latch type		x	x		x					x					
Approved by UL/CSA						x	x	x	x	x	x	x	x	x	x
Conforms to VDE								x	x	x					
AC coil type						x	x	x	x	x	x	x			x
Contact ratings	0A to 3A	x	x	x	x						x		x	x	x
	3A to 10A									x	x	x			
	10A to 15A									x		x			
	15A to 20A					x						x			
	20A to 40A					x	x	x				x			
Typical applications	Computer mainframe & computer peripherals						x	x				x			
	Control panel					x	x	x	x	x	x	x	x	x	x
	Home appliance					x	x	x	x		x		x	x	x
	Office automation						x	x	x		x	x	x	x	x
	Security systems	x	x	x	x	x	x	x	x		x	x	x	x	x
	Telecommunications	x	x	x	x										
	Test & measurement equipment	x	x	x	x		x	x	x		x	x			x
	Vending equipment						x	x	x		x		x	x	x

## Mosfet Relays



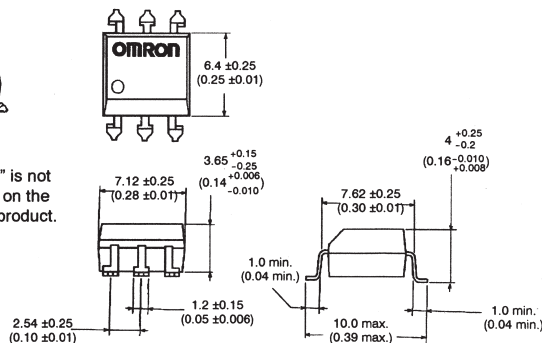
Note: "G3VM" is not printed on the actual product.



G3VM-3, G3VM-3L, G3VM-VF



Note: "G3VM" is not printed on the actual product.



G3VM-3F, G3VM-3FL, G3VM-VF

## G3VM MOSFET RELAY

### FEATURES:

- Output voltage up to 400V
- High-dielectric, 5000VAC version available.
- Available in PCB thru-hole, SMT gull-wing, and SOP terminal package
- Ideal for telecom and data communications

Cat. No.	Contact Form	Terminals	Load Voltage	Max. Output Current (mA)	Net Price
<b>PCB THRU-HOLE</b>					
G3VM-2	SPST-NO	4	350	120	\$3.90
G3VM-3	SPST-NO	6	350	160	3.90
G3VM-3L*	SPST-NO	6	350	120	4.99
G3VM-V	SPST-NO	6	60	600	3.90
G3VM-6	SPST-NO	6	400	300	7.00
G3VM-W	DPST-NO	8	350	120	7.00
G3VM-353A	SPST-NC	4	350	300	10.68
G3VM-353B	SPST-NC	6	350	300	10.68
G3VM-354C	DPST-NC	8	350	150	21.99
G3VM-601BY	SPST-NO	6	600	200	10.68
<b>SMT</b>					
G3VM-2F	SPST-NO	4	350	120	4.26
G3VM-3F	SPST-NO	6	350	160	4.26
G3VM-3FL*	SPST-NO	6	350	120	4.26
G3VM-VF	SPST-NO	4	60	600	4.26
G3VM-6F	SPST-NO	6	350	300	7.00
G3VM-WF	DPST-NO	8	350	120	8.64
G3VM-353D	SPST-NC	4	350	300	10.68
G3VM-353E	SPST-NC	6	350	300	10.68
G3VM-354F	DPST-NC	8	350	150	22.18
G3VM-601EY	SPST-NO	6	600	200	10.80
<b>SOP</b>					
G3VM-S5	SPST-NO	4	200	150	4.50
G3VM-S2	SPST-NO	4	350	120	4.30
G3VM-S3	SPST-NO	6	350	160	8.25
G3VM-SY	DPST-NO	8	60	300	10.93
G3VM-SW	DPST-NO	8	350	120	10.93
G3VM-S1	SPST-NO	4	60	300	5.49

\*Current limiting options.